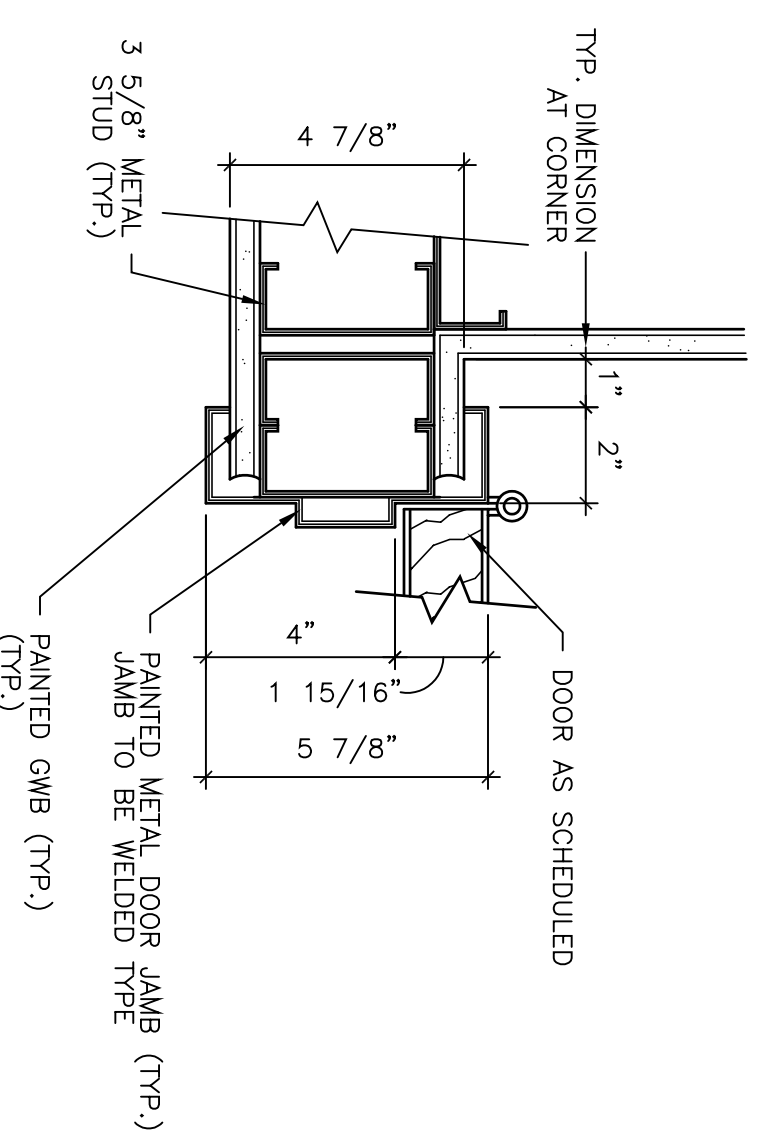
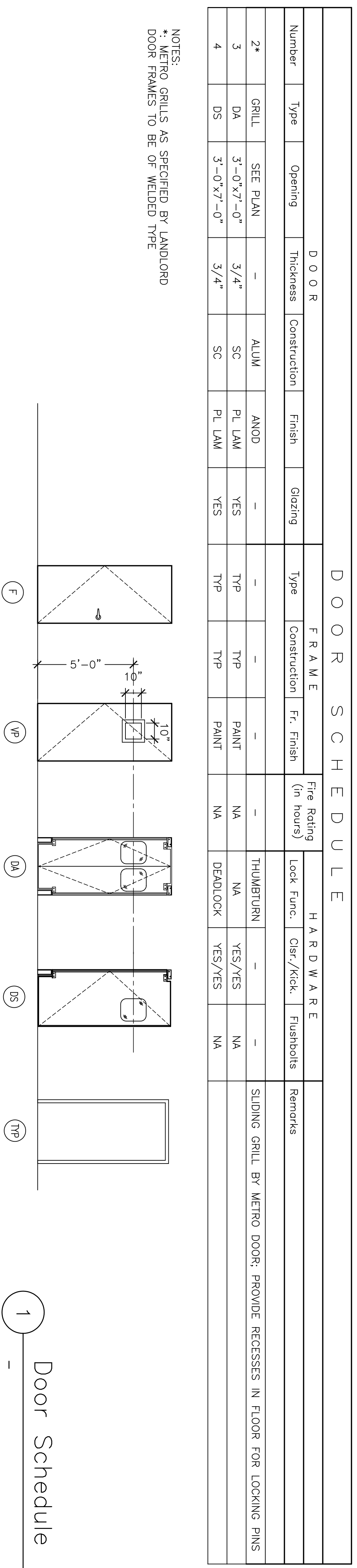


D O O R				F R A M E				H A R D W A R E				Remarks		
Number	Type	Opening	Thickness	Construction	Finish	Gazing	Type	Construction	Fr. Finish	Fire Rating (in hours)	Lock Func.		Chr./Kick	Flushbolts
2*	GRILL	SEE PLAN	-	ALUM	ANOD	-	-	-	-	-	THUMBTURN	-	-	SLIDING GRILL BY METRO DOOR; PROVIDE RECESSES IN FLOOR FOR LOCKING PINS
3	DA	3'-0"x7'-0"	3/4"	SC	PL LAM	YES	TYP	TYP	PAINT	NA	NA	YES/YES	NA	
4	DS	3'-0"x7'-0"	3/4"	SC	PL LAM	YES	TYP	TYP	PAINT	NA	DEADLOCK	YES/YES	NA	

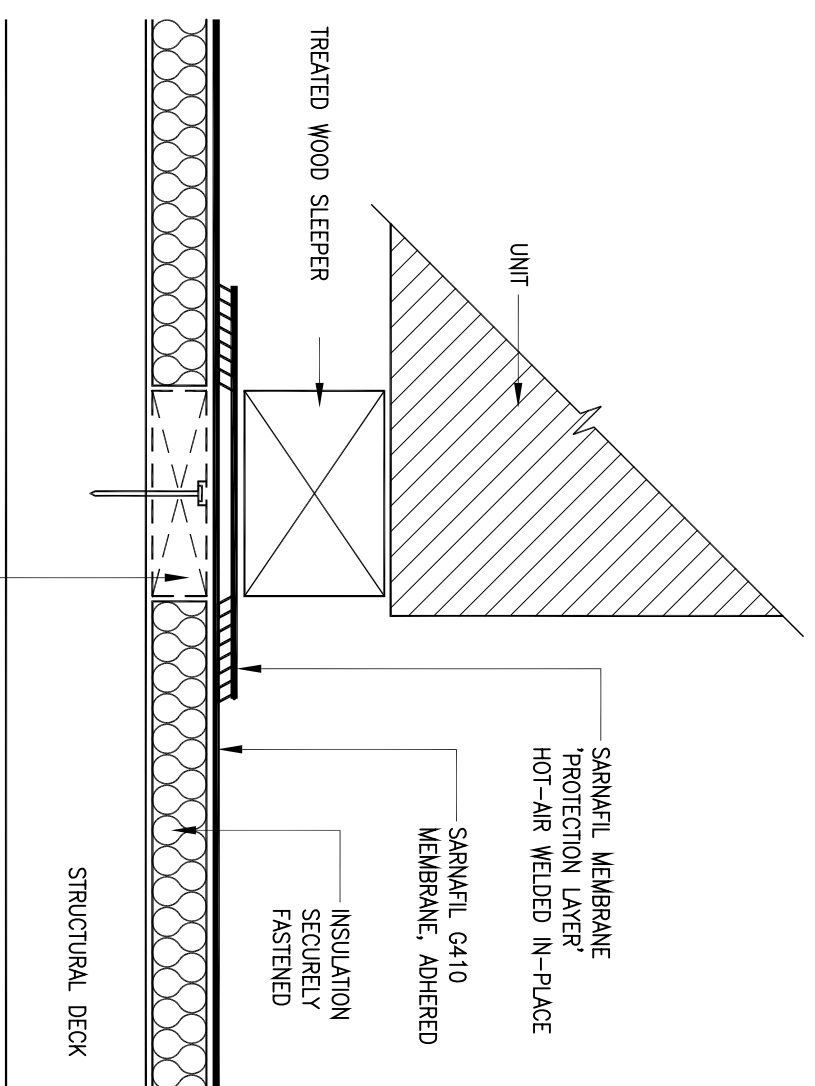
NOTES:  
 \*: METRO GRILLS AS SPECIFIED BY LANDLORD  
 DOOR FRAMES TO BE OF WELDED TYPE



2 Typ HM Door Jamb  
 3"=1'-0"

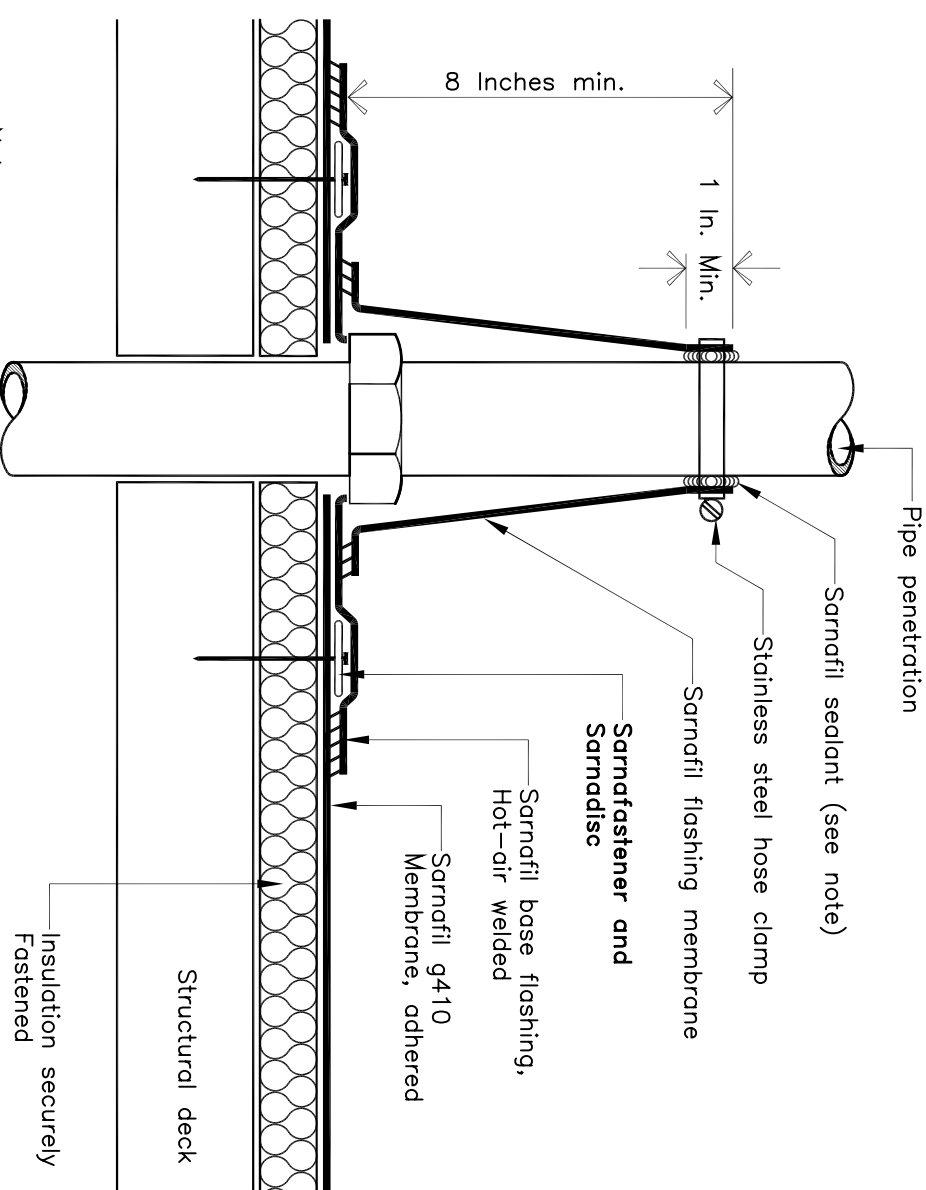


1 Door Schedule



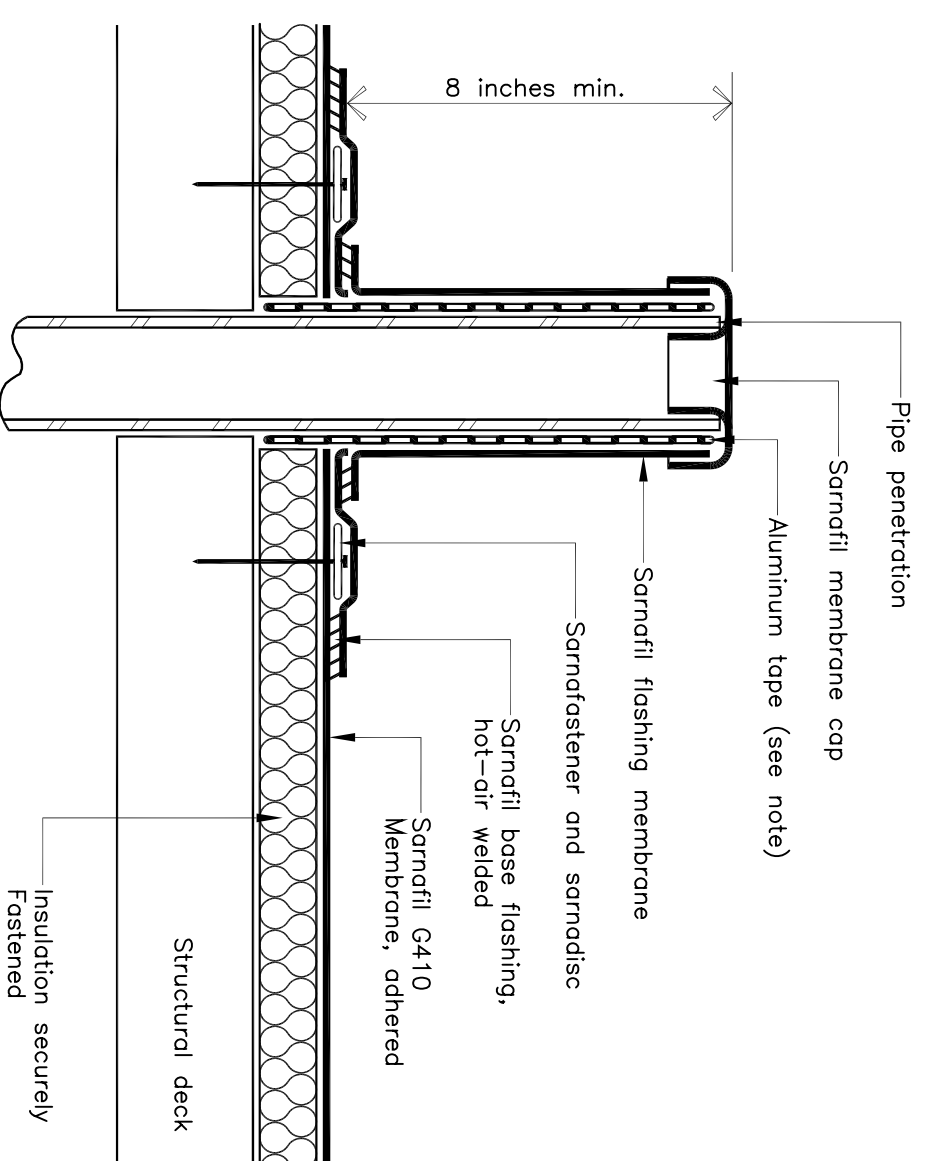
- NOTES:  
 1) WEIGHT OF UNIT TO BE EVENLY DISTRIBUTED OVER CROSS-SECTIONAL AREA OF EXPOSED WOOD NAILER.  
 2) IF WEIGHT OF UNIT EXCEEDS MAXIMUM ALLOWED BY INSULATION MANUFACTURER, A TREATED WOOD NAILER BELOW THE SPURR MEMBRANE IS REQUIRED.

SLEEPER DETAIL



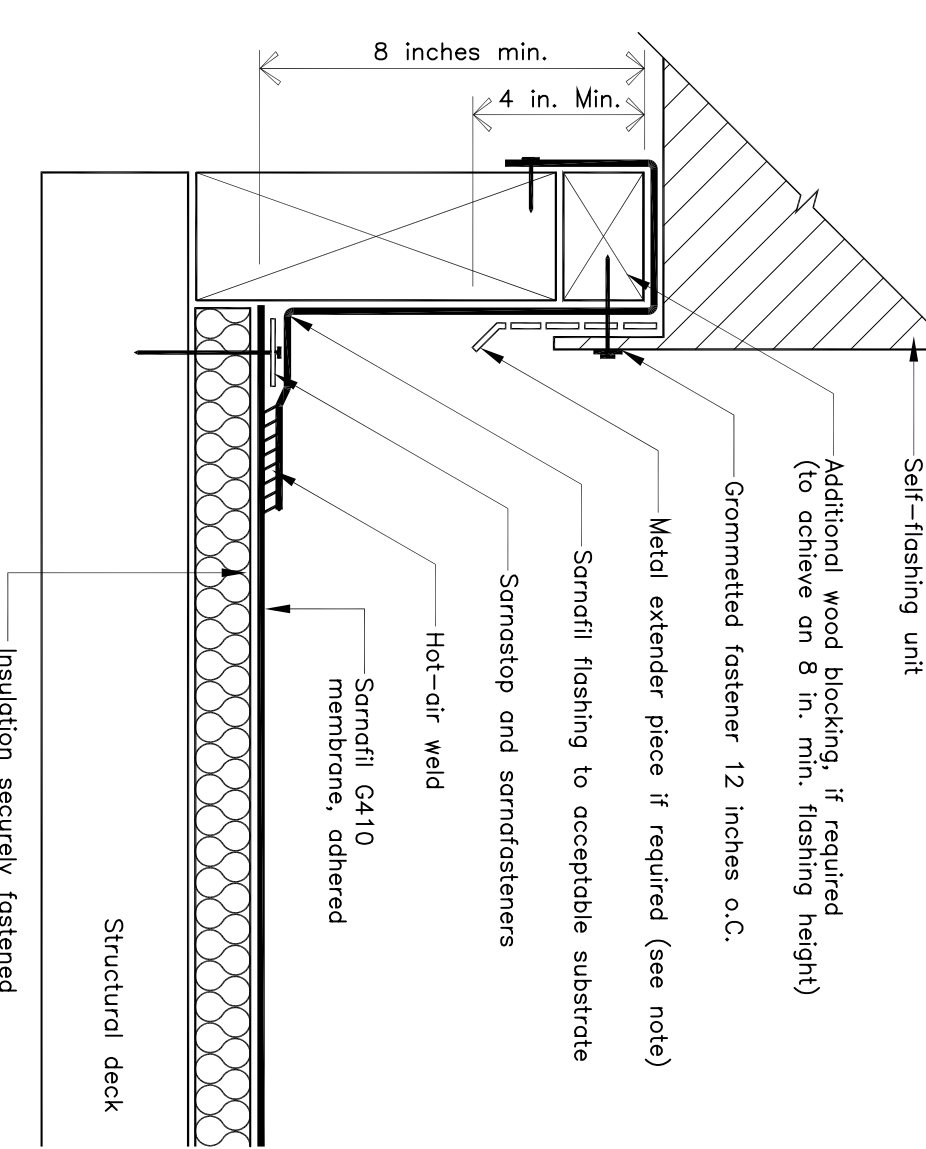
Note:  
 Sarnafil is a maintenance item. Maintenance is not covered under Sarnafil warranty.

PIPE DETAIL



Note:  
 Aluminum tape is required if existing penetration is contaminated.

VENT DETAIL



Note:  
 Metal extender piece is required if existing contaminating is contaminated and/or grommeted fastener is less than 4 inches min. Fasteners 12 inches o.c. min.

CURB DETAIL

3 Typ Roof Details

**Building Engineering Resources, Inc.**  
 28 Main Street, Bldg. #3  
 North Fason, MA 02356  
 Tel: (508) 234-0200  
 Fax: (508) 234-0200  
 E: [info@buildingeng.com](mailto:info@buildingeng.com)

**L2M Foodservice DESIGN GROUP**  
 811 Commercial Park Drive  
 Glen Burnie, MD 21061  
 Ph: (410) 863-1302  
 Fx: (410) 863-1308

**JMS Host**  
 6600 Rockledge Drive  
 Bethesda, MD 20817  
 Ph: (240) 694-4055  
 Fax: (240) 694-4175

**THE SHIPYARD BREWING COMPANY**  
 86 Hanbury Street  
 Portland, ME 04101  
 (603) 789-0884

**LLOYD ARCHITECTS**  
 Two High Cliff, Plymouth MA 02360  
 TEL: (508) 746-4646  
 FAX: (508) 744-4444  
 E-MAIL: [info@lloydarch.com](mailto:info@lloydarch.com)

Job No.: 07417  
 Scale: As noted  
 Issue: 12/11/07

Door Schedule,  
 & Roof Details

A0.2