

DISPLAY THIS CARD ON PRINCIPAL FRONTAGE OF WORK

CITY OF PORTLAND

BUILDING INSPECTION

PERMIT

Please Read Application And Notes, If Any, Attached

Permit Number: 080006
PERMIT ISSUED
MAR - 3 2008
CITY OF PORTLAND

This is to certify that DELTA AIR LINES INC DEPT 852 CORP TAX TBD

has permission to interior renovations for 2 Jetport restaurants - 1 upper level -

at 1001 WESTBROOK ST

CBL 208 A001002

provided that the person or persons, firm or corporation accepting this permit shall comply with all of the provisions of the Statutes of Maine and of the Ordinances of the City of Portland regulating the construction, maintenance and use of buildings and structures, and of the application on file in this department.

Apply to Public Works for street line and grade if nature of work requires such information.

Notification of inspection must be given and written permission procured before this building or part thereof is lathed or otherwise closed-in. 24 HOUR NOTICE IS REQUIRED.

A certificate of occupancy must be procured by owner before this building or part thereof is occupied.

OTHER REQUIRED APPROVALS

Fire Dept. Craig Curran
Health Dept. _____
Appeal Board _____
Other _____
Department Name

[Signature]
Director - Building & Inspection Services

PENALTY FOR REMOVING THIS CARD

JOB NUMBER

DRAWN BY

Starter Coil Control Only for 1 Exhaust fan, 1 Supply fan. Includes 1 Light switch, 1 Fan switch, Exhaust in Fire.

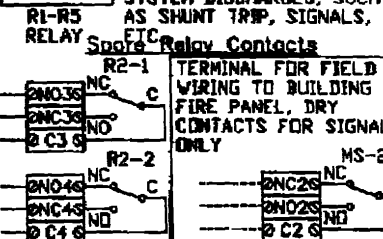
Label Description

ST Starter
 FS Fan Switch (Lighted)
 MS MicroSwitch (Ansul/PyroChem)
 R1 Relay DPDT
 LS Light Switch
 L Hood Light(s)
 GP General Purpose Relay DPDT
 TX Transformer
 C Contactor
 G Ground
 AF Air Flow Switch

Spare Relay Contacts	MS-1, MS-2 MicroSwitch	
C-RD	Ansul	Pyrochem
NO-BL	C-RD	C-RD
NC-PR	NO-BK	NO-BK
	NC-BR	NC-BR

1 NC 3
 4 NO 6
 7 COM 9
 A COIL B

SPARE RELAY CONTACTS CAN BE USED TO CONTROL ITEMS REQUIRING SHUT DOWN WHEN THE FIRE SYSTEM DISCHARGES, SUCH AS SHUNT TRIP, SIGNALS, ETC.



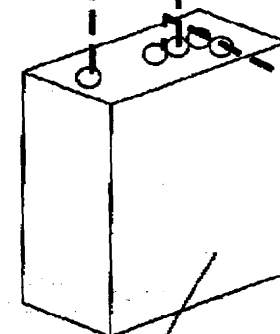
NEUTRAL

26

NOT INCLUDE
 NFACTORS.
 BE PROVIDED BY
) IN THE FIELD.

DETECTI

AGENT LINE



SYSTEM CONTROL AUTOMAN WITH AGENT TANK ENCLOSED

07/24/2000 03:00

0/00000004

AARENE CONTRACTING

FAN INFORMATION

FAN UNIT NO.	FAN UNIT MODEL #	EXHAUST FAN										SUPPLY FAN									
		MODEL	TAG	CFM	S.P.	RPM	HP.	#	VOLT	FLA	BLOWER	HOUSING	TAG	CFM	S.P.	RPM	H.P.	#	VOLT	FLA	
3	A1-D.250-G10 MUA-1 Pre-Security											G10	A1-D.250		1930	0.750"	1187	1500	3	208	4.7

FAN OPTIONS

FAN NO.	OPTION (Qty. - Descr.)
3	1 - Inlet Pressure Gauge, 0-35"
	1 - Motorized Backdraft Damper for A1-D Housing

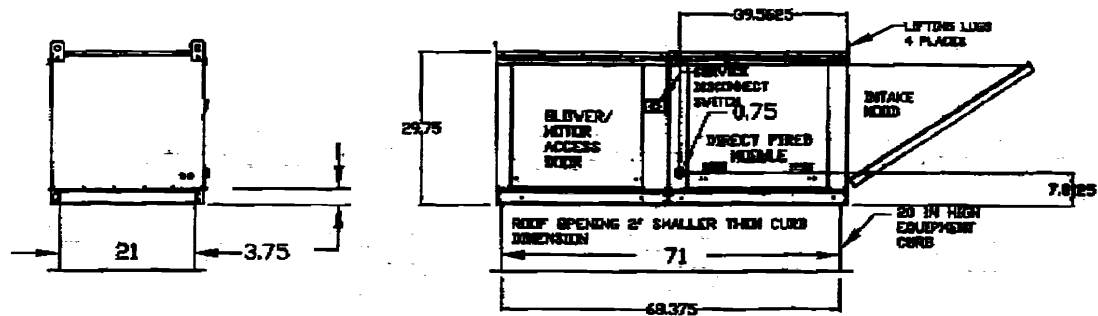
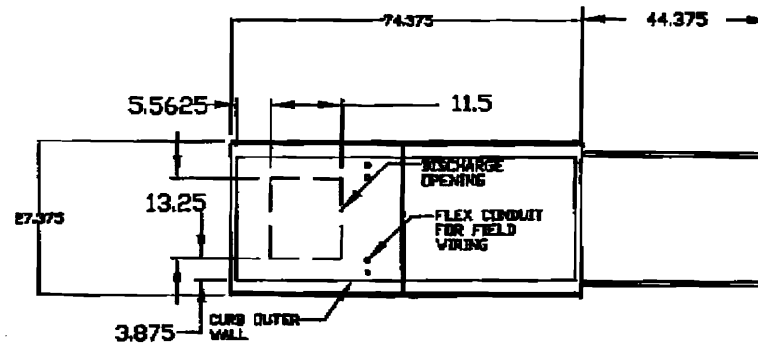
GAS FIRED MAKE-UP AIR UNIT(S)

FAN UNIT NO.	BTU's	TEMP. RISE	GAS TYPE
3	130000	71 deg F	Natural

CURB ASSEMBLIES

NO.	ON FAN	ITEM	SIZE
3	# 3	Curb	21.000"W x 71.000"L x 20.000"H Insulated

- (Model#) A1-D.250-G10 Direct Gas Fired Heated Make Up Air Unit with 10" Blower
- Down Discharge - Air Flow Right -> Left
- Weight = 584 lbs



CUSTOMER APPROVAL TO MANUFACTURE:

Approved as Noted

Approved with NO Exception Taken

Revise and Resubmit

SIGNATURE _____

Your Title _____ Date _____

CAPTIVE AIR

JOB Portland Shipyard Fans	LOCATION Portland, ME
DATE 3/3/2008	JOB # 708319
DWG # PortlandShip	DRAWN BY BFC
REV. 1.00	SCALE 8.5' x 11'

FAN INFORMATION

FAN UNIT NO.	FAN UNIT MODEL #	EXHAUST FAN										SUPPLY FAN									
		MODEL	TAG	CFM	S.P.	RPM	H.P.	Ø	VOLT	FLA	BLOWER	HOUSING	TAG	CFM	S.P.	RPM	H.P.	Ø	VOLT	FLA	
1	NCA16HPFA EF-1 Pre-Security	NCA16HPFA		2436	- 1.800"	1392	1.500	3	208	4.7											

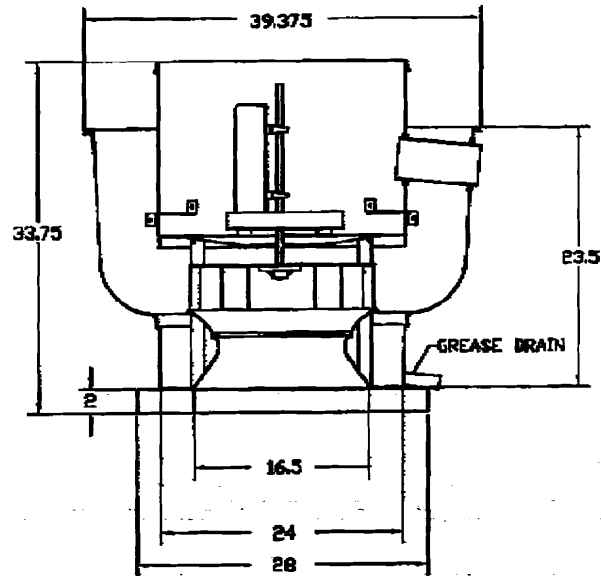
FAN OPTIONS

FAN NO.	OPTION (Qty. - Descr.)
1	1 - Grease Box

CURB ASSEMBLIES

NO.	ON FAN	ITEM	SIZE
1	# 1	Curb	26.500"W x 26.500"L x 20.000"H Vented Hinged

Centrifugal Upblast Belt (Fan #1 NCA16HPFA (EF-1 Pre-Security))



FEATURES:

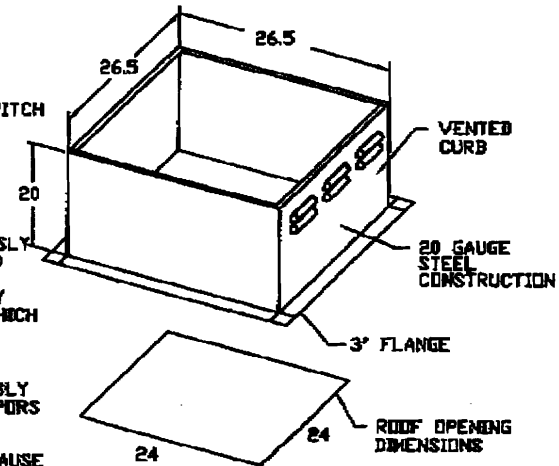
- ROOF MOUNTED FANS
- RESTAURANT MODEL
- UL762 - UL705
- AMCA SOUND AND AIR CERTIFIED
- WIRING FROM MOTOR TO DISCONNECT SWITCH
- WEATHERPROOF DISCONNECT
- HIGH HEAT OPERATION 300°F (149°C)
- GREASE CLASSIFICATION TESTING

NORMAL TEMPERATURE TEST
EXHAUST FAN MUST OPERATE CONTINUOUSLY WHILE EXHAUSTING AIR AT 300°F (149°C) UNTIL ALL FAN PARTS HAVE REACHED THERMAL EQUILIBRIUM, AND WITHOUT ANY DETERIORATING EFFECTS TO THE FAN WHICH WOULD CAUSE UNSAFE OPERATION.

ABNORMAL FLARE-UP TEST
EXHAUST FAN MUST OPERATE CONTINUOUSLY WHILE EXHAUSTING BURNING GREASE VAPORS AT 600°F (316°C) FOR A PERIOD OF 15 MINUTES WITHOUT THE FAN BECOMING DAMAGED TO ANY EXTENT THAT COULD CAUSE AN UNSAFE CONDITION.

OPTIONS:

- GREASE BOX
- HINGED FAN



CUSTOMER APPROVAL TO MANUFACTURE:

Approved as Noted

Approved with NO Exception Taken

Revise and Resubmit

SIGNATURE _____

Your Title _____ Date _____

CAPTIVE WIRE	JOB Portland Shipyard Fans	
	LOCATION Portland, ME	
	DATE 3/3/2008	JOB # 708319
	DTC # PortlandShip	DRAWN BY BFC
	REV. 1.00	SCALE 8.5" x 11"

HOOD INFORMATION

HOOD NO.	MODEL	LENGTH	MAX COOKING TEMP.	EXHAUST PLENUM					SUPPLY PLENUM					HOOD CONSTRUCTION	HOOD CONFIG
				TOTAL DIA.	WIDTH	LENGTH	DIA.	CFM	SP.	TOTAL DIA.	WIDTH	LENGTH	DIA.		
5424	2	9'00"	700	24.00	2'	30"	24.38	1148	1950					430 SS	ALONE
213	2	9'00"	700	24.00	2'	30"	24.38	1148	1950				430 SS	ALONE	
233A	4224	3' 6.00"	700	50.5									304 SS	ALONE	

HOOD INFORMATION

HOOD NO.	TYPE	FILTERS				LIGHTS			UTILITY CABINETS			ELECTRICAL			FIRE	
		QTY	HEIGHT	LENGTH	QTY	TYPE	WIRE GAUGE	LOCATION	TYPE	FIRE SYSTEM	SIZE	ELECTRICAL MARK #	QUANTITY	LOCATION	SYSTEM	WEIGHT
213	High Efficiency SS	5	16"	16"	5	Incandescent Light Fix	ND							NO	669 LBS	
233A														NO	197 LBS	

HOOD OPTIONS

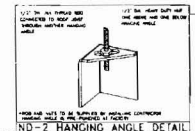
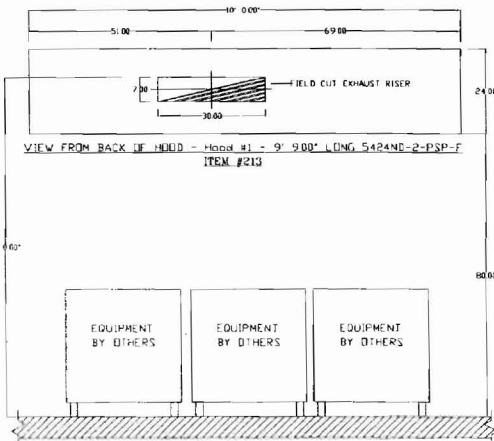
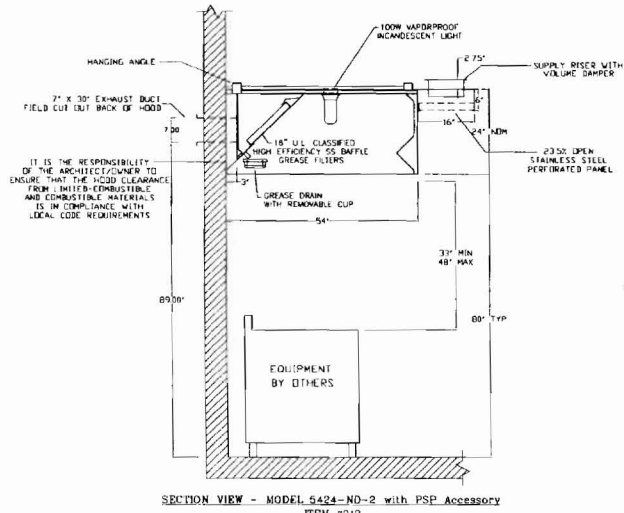
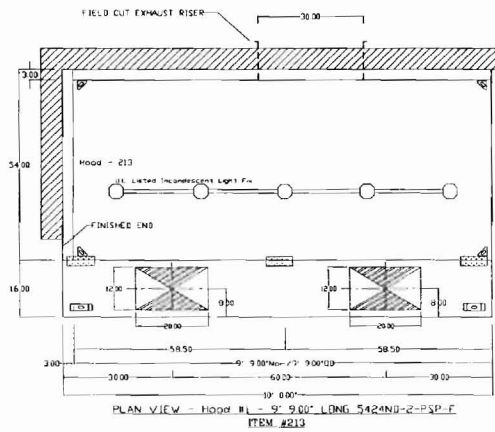
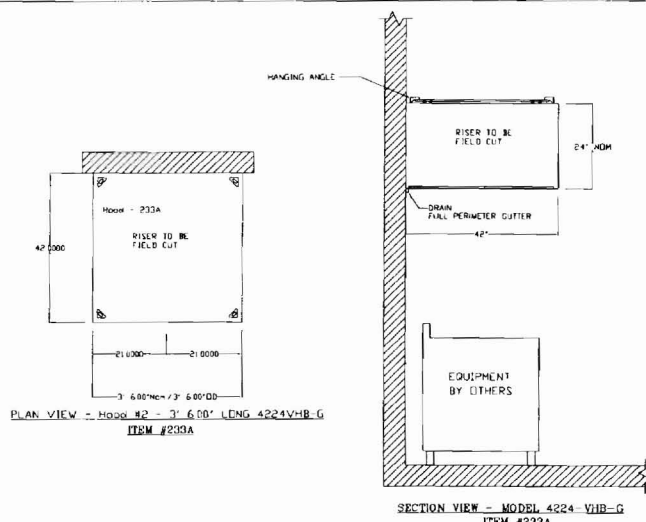
HOOD NO.	OPTION	BACKSPLASH	LEFT END STANDOFF (FINISHES)	LEFT SIDESPLASH	BACKSPLASH
213		00.00" High X 120.00" Long	3" wide	00.00" High X 34.00" Long	00.00" High X 42.00" Long

PERFORATED SUPPLY PLENUM(S)

HOOD NO.	POS.	LENGTH	WIDTH	HEIGHT	WIDTH	LENGTH	DIA.	CFM	SP.
213	Front	18"	16"	6"	12"	20"	9.75	0147	

ETL LISTING DESCRIPTION BLOCK
THE CAPTIVE-AIRE MODEL
ND-2 HAS BEEN U.L.
710 TESTED, LISTED, AND
APPROVED TO EXHAUST
A MINIMUM OF 200 CFM PER
LINEAR FOOT OVER 700
DEGREE COOKING EQUIPMENT

ETL LISTING DESCRIPTION BLOCK
THE CAPTIVE-AIRE MODEL
VHB HAS BEEN U.L.
710 TESTED, LISTED, AND
APPROVED TO EXHAUST
A MINIMUM OF 100 CFM PER
LINEAR FOOT OVER 700
DEGREE COOKING EQUIPMENT



CAPTIVE-AIRE HOODS ARE BUILT IN COMPLIANCE WITH
NFA #96
NSI
ETL LISTED #3054804-001

NOTE
IT IS RECOMMENDED NOT TO INSTALL HIGH VELOCITY DIFFUSERS OR HVAC RETURNS WITHIN TEN (10) FEET OF THE HOOD. NON-DIRECTIONAL PERFORATED DIFFUSERS ARE RECOMMENDED.

VERIFY CEILING HEIGHT
HEIGHT REQUIRED TO VERIFY THAT THE HOOD WILL FIT AND TO SIZE THE ENCLOSURE PANELS

FOR QUESTIONS CALL CAPTIVE-AIRE
78154 D.D. GEORGE C/OVA RD. BY THE SEA, MA 02014
PHONE (301) 986-1676, (800) 986-0501
FAX (301) 986-1795



JOB Shipyard 701 - Portland Int'l Jetport
LOCATION Portland, ME
DATE 11/2/2007
JOB # 691864
DWG # JOB 691864
DRAWN BY JCM-SP
REV 4 JEM 4/17/08
SCALE 3/4"

