

ENTERPRISE HOLDINGS.

600 Corporate Park Drive
St Louis, MO 63105
314-512-5000

11 28 Westbrook
2011 10 2463
2011 13610

June 7, 2012

To whom it may concern,

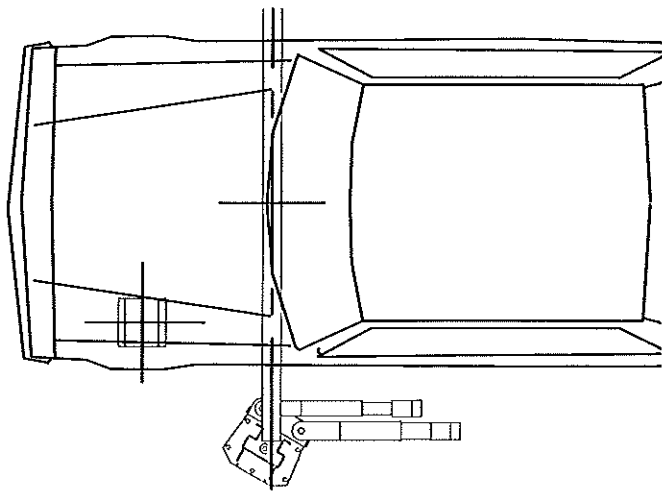
As required, Enterprise will be protecting the electrical components for the car wash bay heater (UH-3 on sheet M1, dated 9-9-11) in a waterproof enclosure as requested by the City of Portland. Prior to the start of the heating system being essential for the operation of the car wash, Enterprise will be installing heaters that are an approved UL rated heating source for car wash applications. Heaters will be compliant with all applicable codes implemented by the City of Portland and the State of Maine.

Sincerely,



Chris Slagle
Director
Enterprise Holdings
314-512-3809 Direct

Cc: Chris Allain, Great Falls; Peter Mikolajczuk, Enterprise Holdings



Hose Reel

