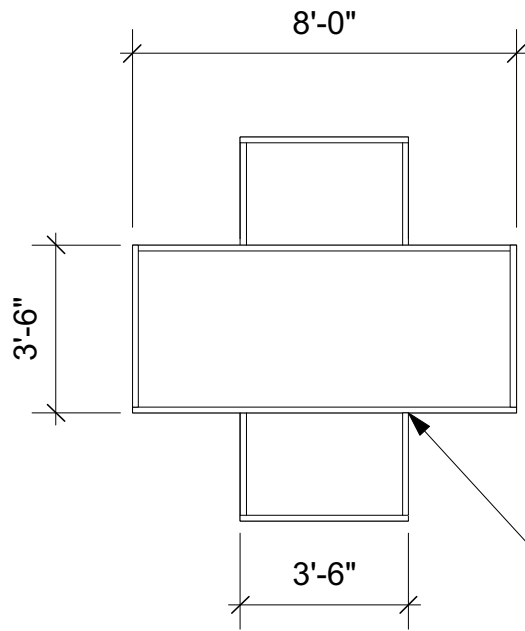
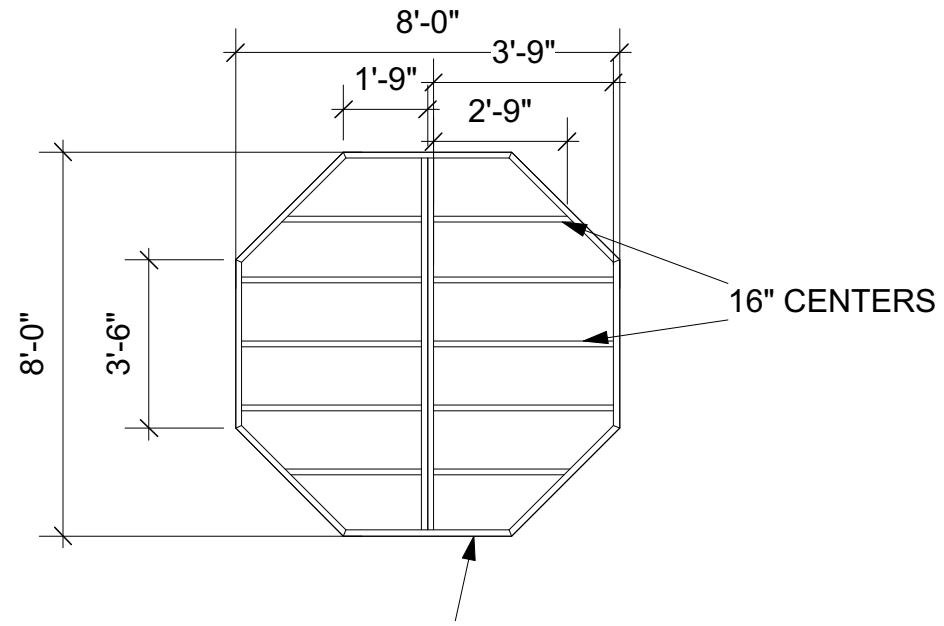


BASE - TOP VIEW

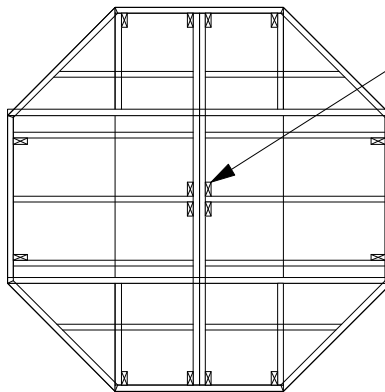


STAGE - TOP VIEW



TYPICAL 2x4 CONSTRUCTION
w/ 3" T25 CONSTRUCTION SCREWS

TOP w/ BASE ATTACHED
TOP VIEW



TOP w/ BASE ATTACHED
FRONT VIEW

