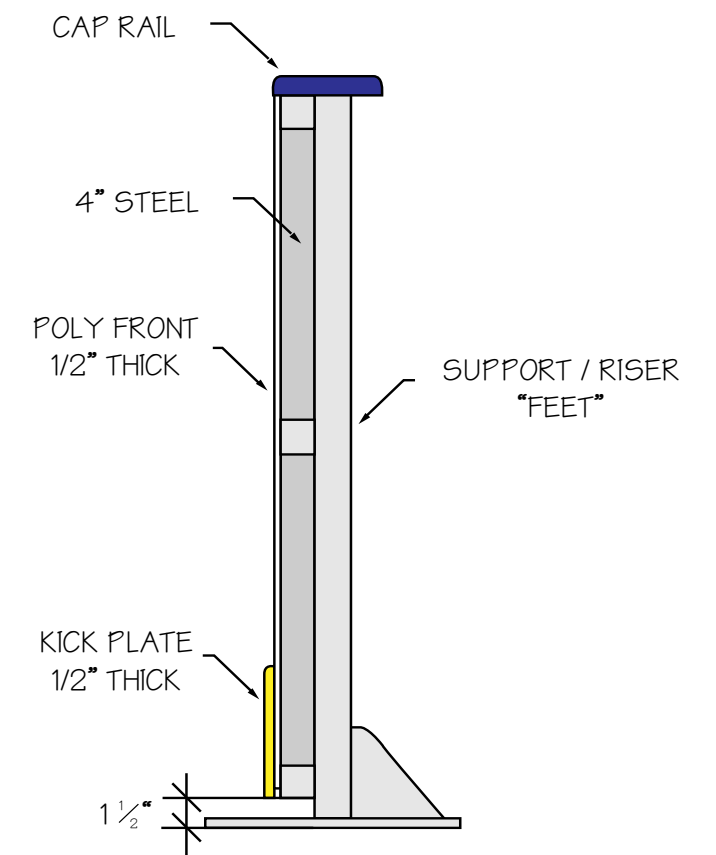
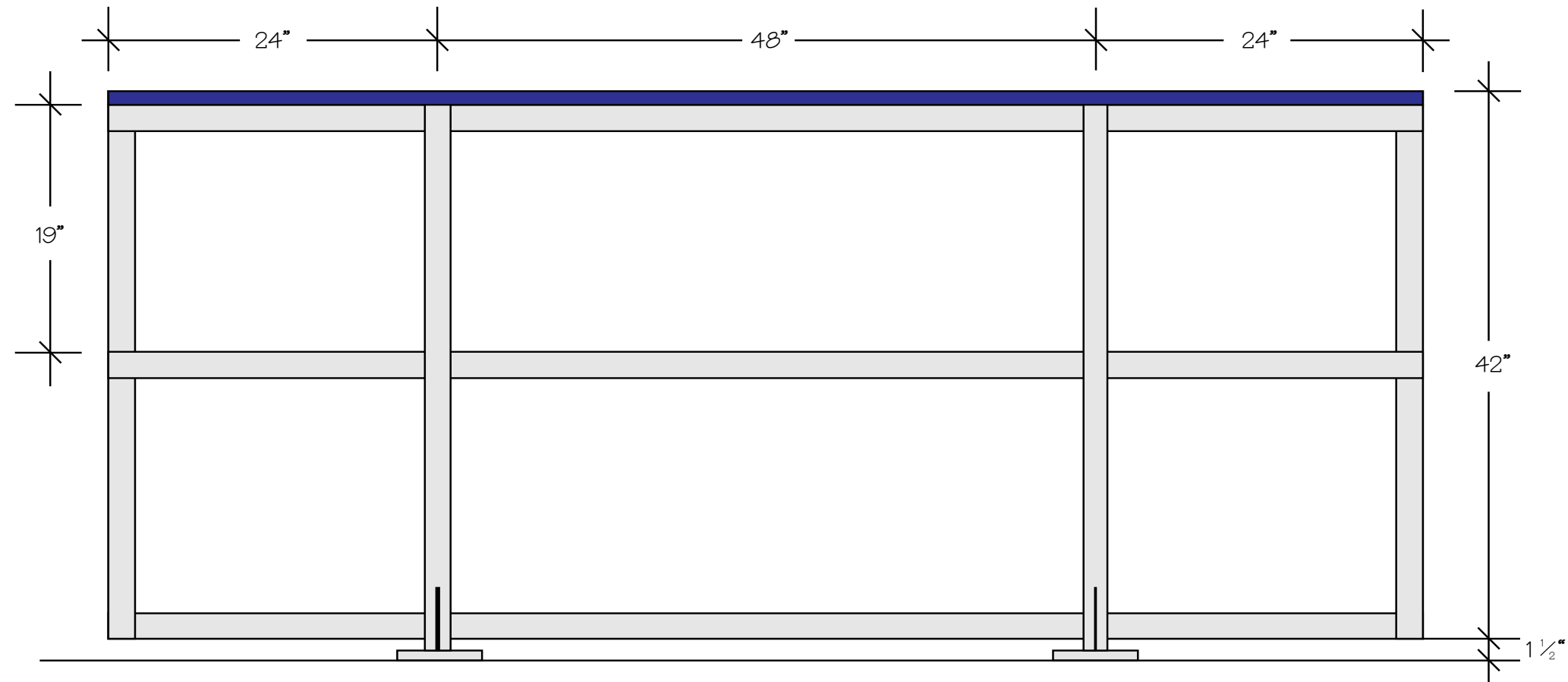


NOTE:

- BOARDS CONSTRUCTED OF 4" STEEL
- FACING & KICK PLATE ARE 1/2" POLY BOARD SHEETS



DASHER BOARDS



THE RINK AT THOMPSONS POINT

REVISIONS	
MM/DD/YY	REMARKS
1	---
2	---
3	---
4	---
5	---