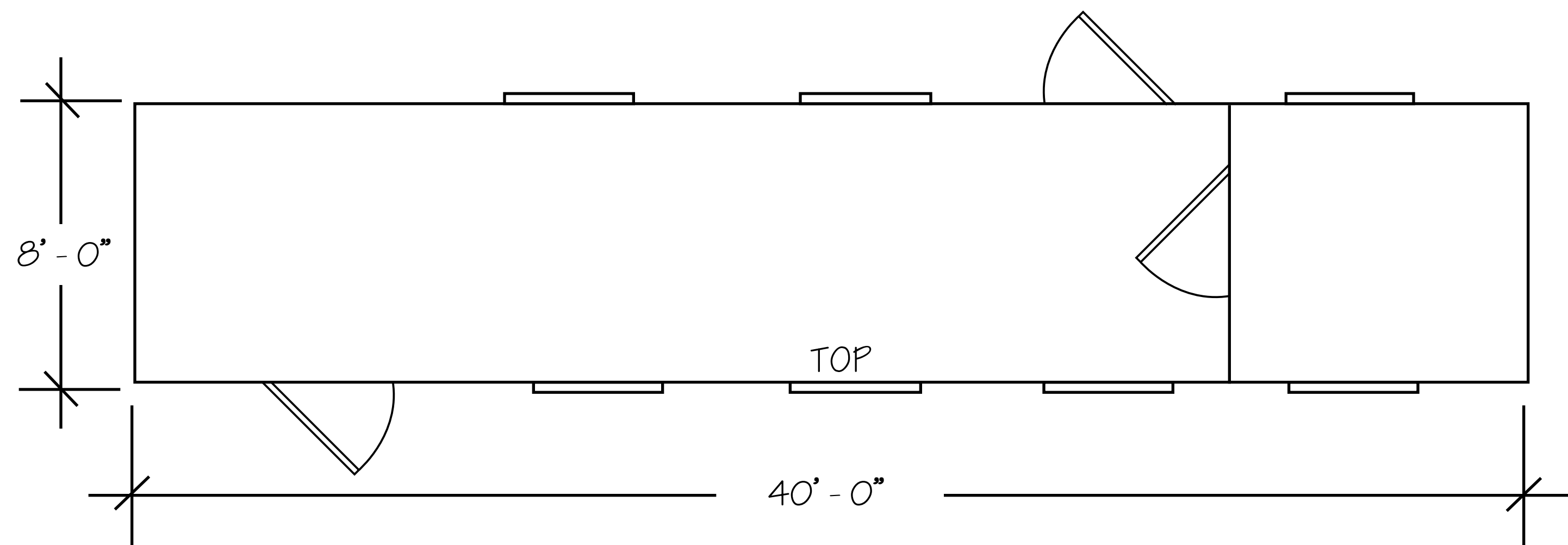
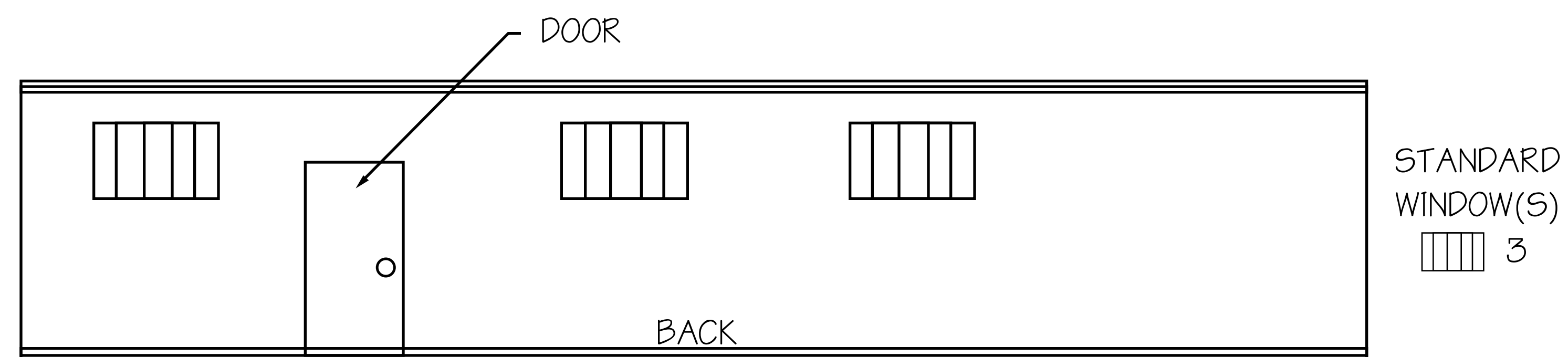
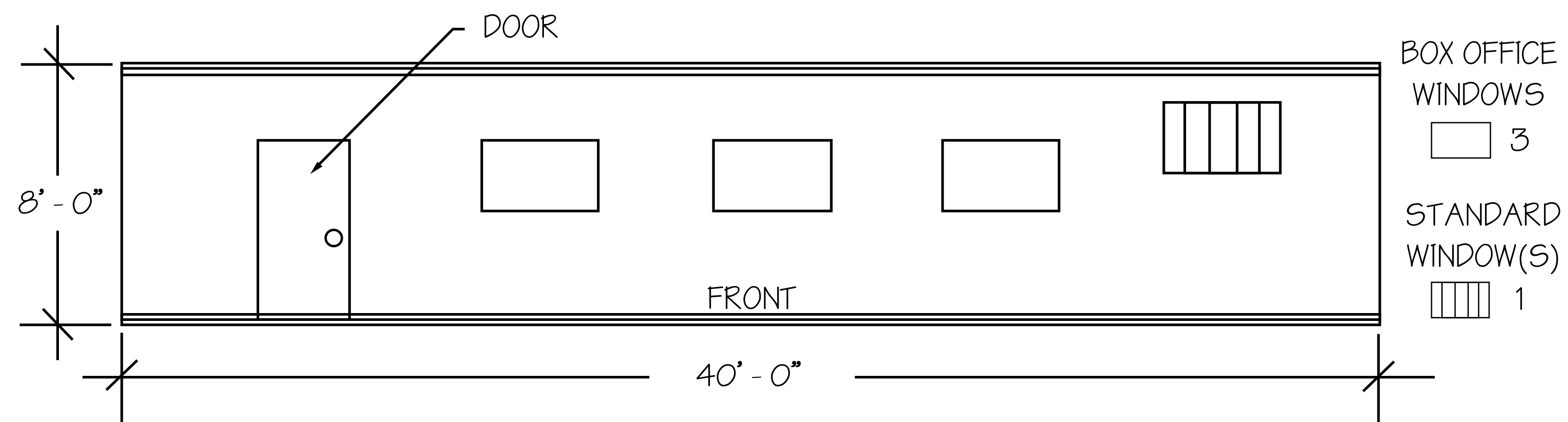


BOX OFFICE / TRAILER



BOX OFFICE TRAILER



THOMPSON'S POINT

MM/DD/YY

/ /

REVISIONS

006