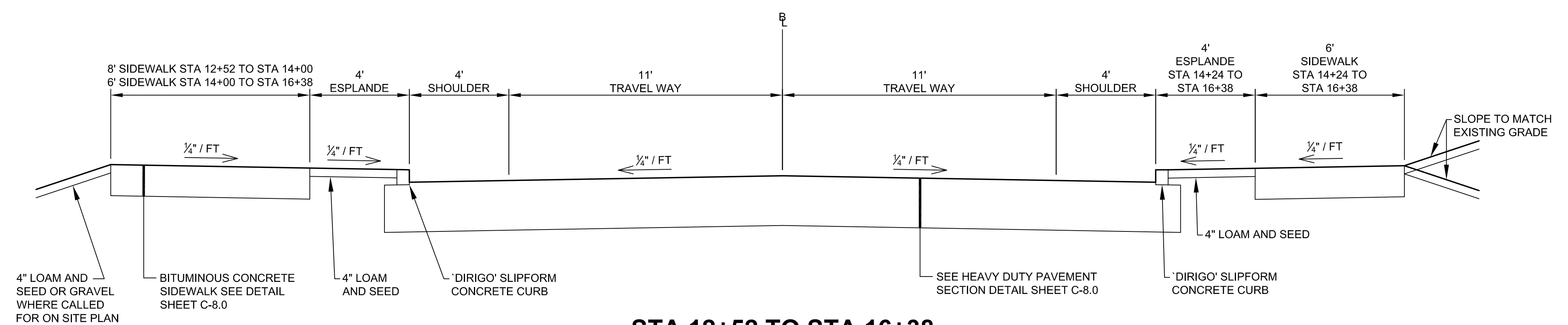
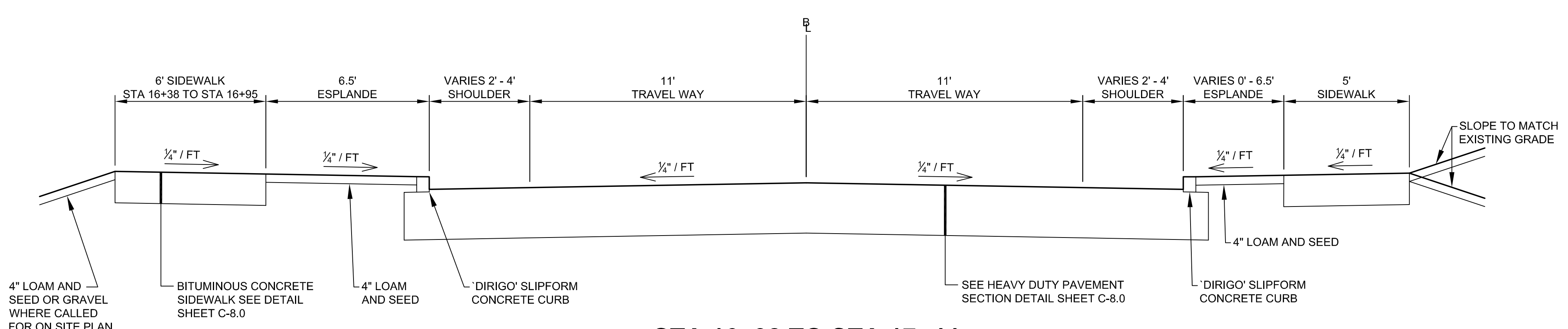


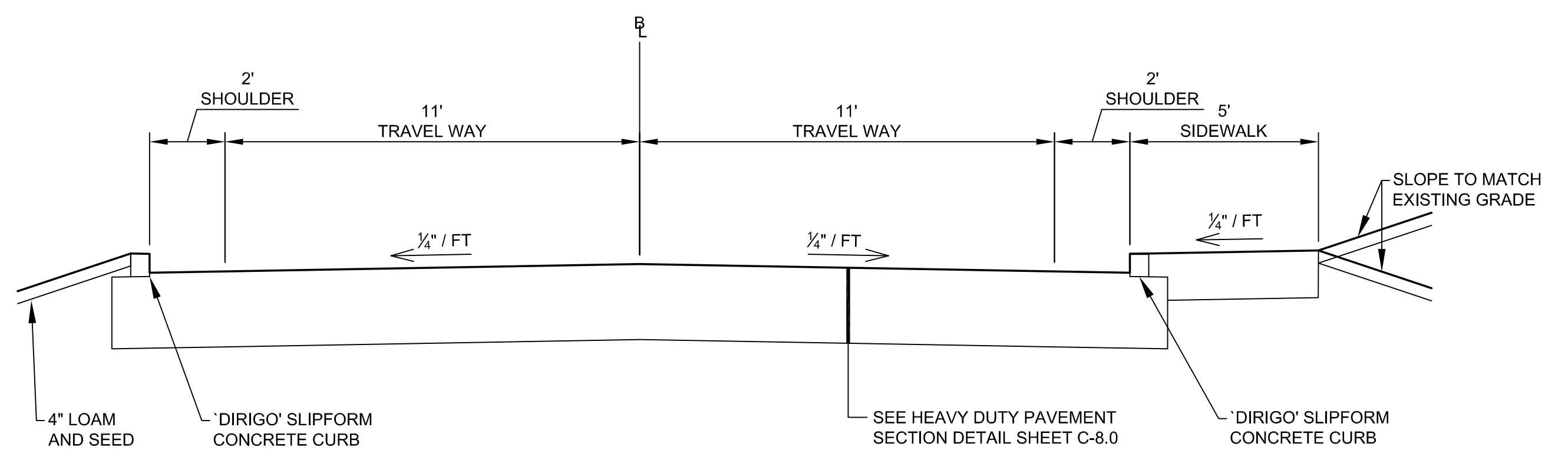
**STA 10+00 TO STA 12+52**  
**TYPICAL ROADWAY SECTION A-A**  
 N.T.S.



**STA 12+52 TO STA 16+38**  
**TYPICAL ROADWAY SECTION B-B**  
 N.T.S.

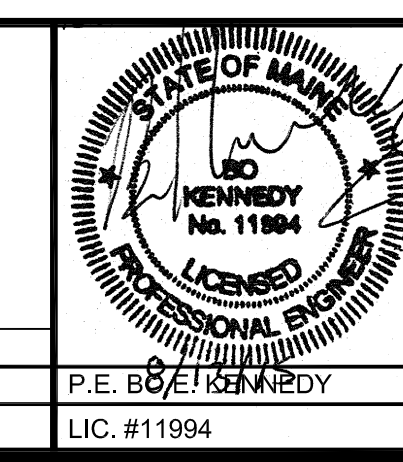


**STA 16+38 TO STA 17+44**  
**TYPICAL ROADWAY SECTION C-C**  
 N.T.S.



**STA 17+44 TO STA 18+41**  
**TYPICAL ROADWAY SECTION D-D**  
 N.T.S.

REV	DATE	DESCRIPTION
1	08.13.15	FINAL SUBDIVISION APPLICATION SUBMISSION
		REVISIONS



PROJECT: THE FOREFRONT AT THOMPSON'S POINT  
 SHEET TITLE: TYPICAL ROADWAY CROSS SECTIONS  
 CLIENT: FOREFRONT PARTNERS | LP

**FST** FAY, SPOFFORD & THORNDIKE  
 ENGINEERS - PLANNERS - SCIENTISTS  
 778 MAIN ST, SUITE 8, SOUTH PORTLAND, ME 04106

DRAWN: DED DATE: SEPT 2014  
 DESIGNED: BEK SCALE: N.T.S.  
 CHECKED: SRB JOB NO. SP-M007B  
 FILE NAME: 2982.05-SUB DET  
 SHEET: C-7.8