

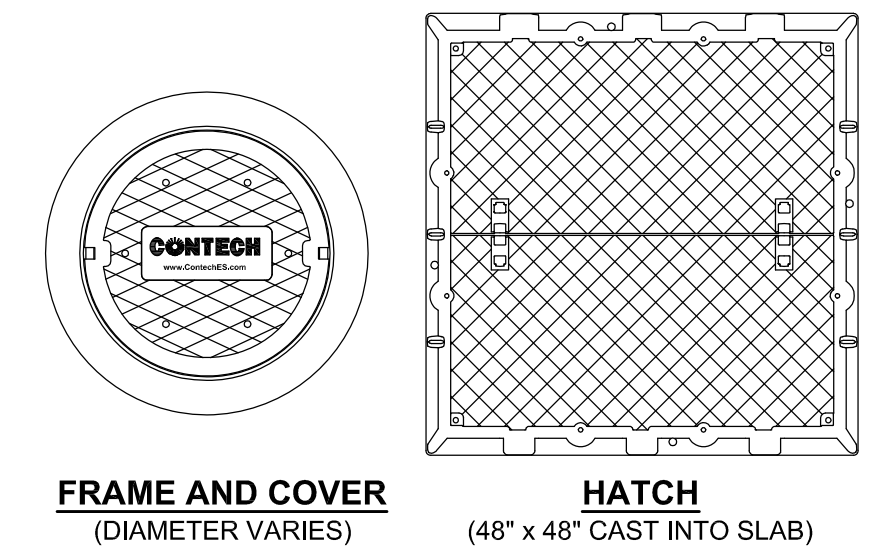
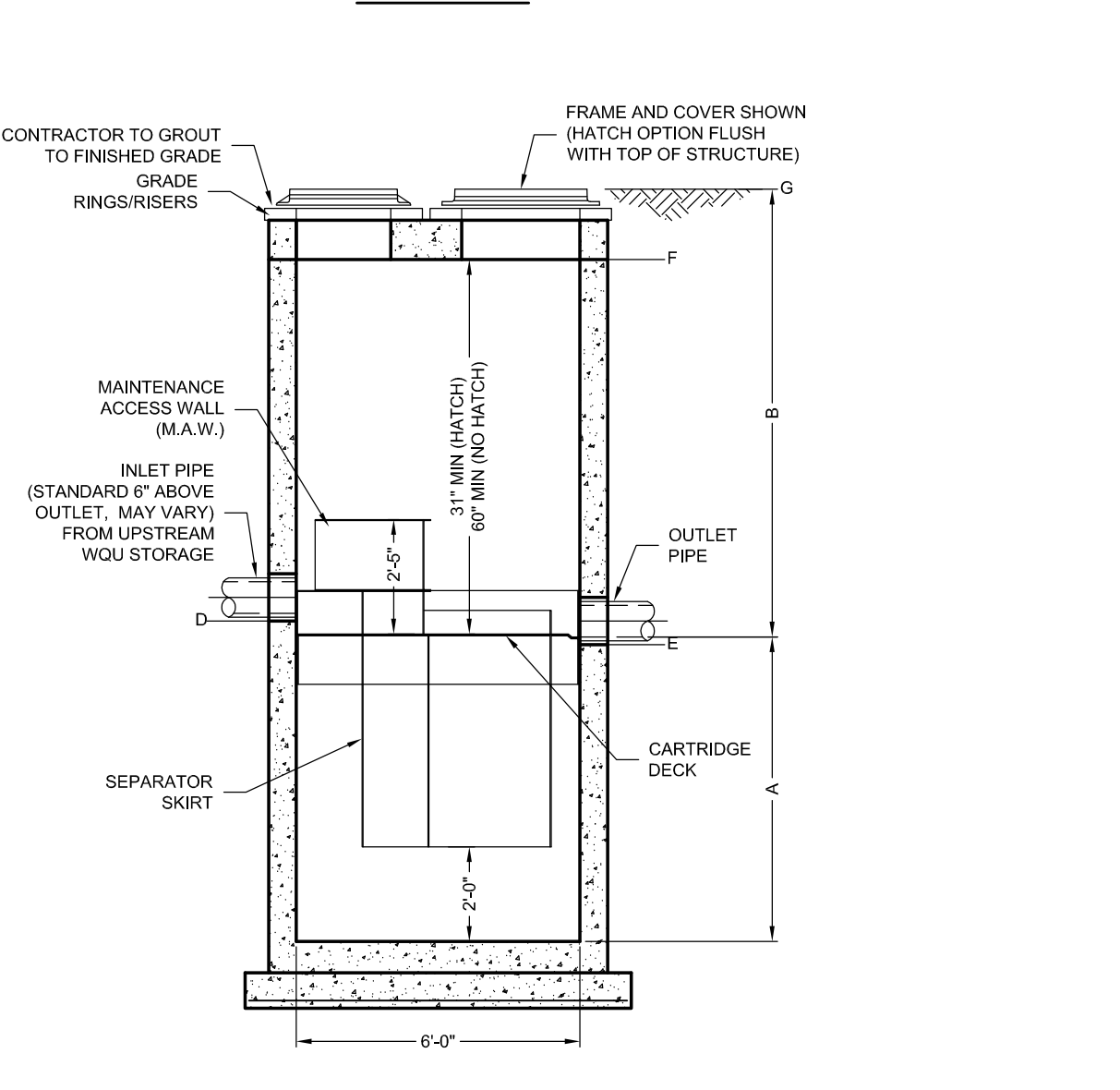
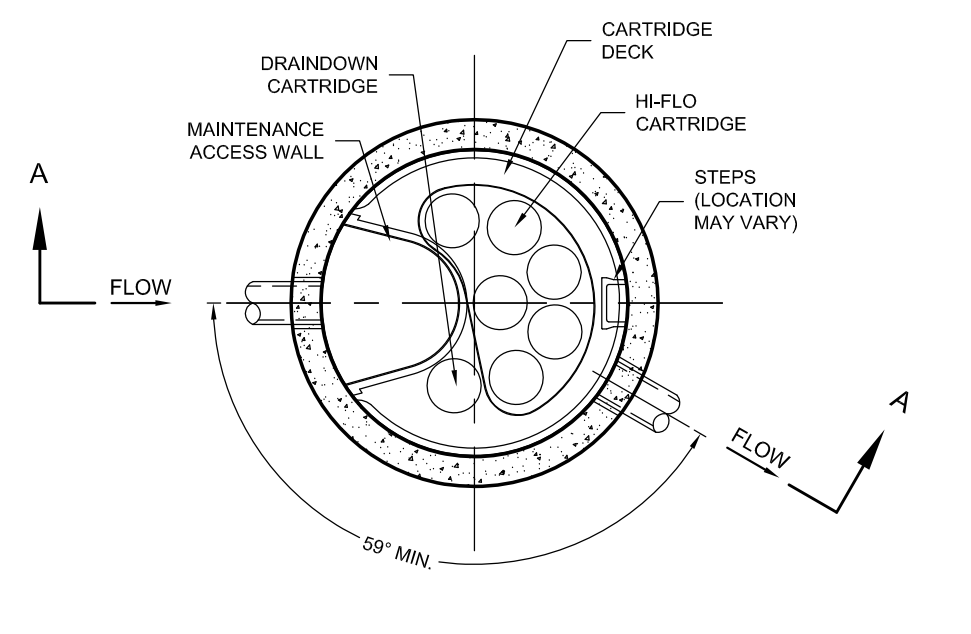
**JELLYFISH DESIGN NOTES**

JELLYFISH TREATMENT CAPACITY IS A FUNCTION OF THE CARTRIDGE SELECTION AND THE NUMBER OF CARTRIDGES. THE STANDARD MANHOLE STYLE IS SHOWN. 36" MANHOLE JELLYFISH PEAK TREATMENT CAPACITY IS 0.45 CFS. IF THE SITE CONDITIONS EXCEED 0.45 CFS AN UPSTREAM BYPASS STRUCTURE IS REQUIRED.

CARTRIDGE SELECTION	36"	48"	60"	72"
CARTRIDGE DEPTH	54"	60"	27"	15"
OUTLET INVERT TO STRUCTURE INVERT (ft)	6.35'	6.52'	4.25'	3.52'
FLOW RATE HIGH-FLO / DRAIN-DOWN (cfs per cart)	0.18 / 0.09	0.13 / 0.065	0.09 / 0.045	0.05 / 0.025
MAX. CARTS HIGH-FLO / DRAIN-DOWN	2 / 1			

THIS PROJECT

**JELLYFISH JF4 STANDARD DETAIL OFFLINE CONFIGURATION**  
N.T.S.



**JELLYFISH DESIGN NOTES**

JELLYFISH TREATMENT CAPACITY IS A FUNCTION OF THE CARTRIDGE SELECTION AND THE NUMBER OF CARTRIDGES. THE STANDARD MANHOLE STYLE IS SHOWN. 36" MANHOLE JELLYFISH PEAK TREATMENT CAPACITY IS 1.16 CFS. IF THE SITE CONDITIONS EXCEED 1.16 CFS AN UPSTREAM BYPASS STRUCTURE IS REQUIRED.

CARTRIDGE SELECTION	36"	48"	60"	72"
CARTRIDGE DEPTH	54"	60"	27"	15"
OUTLET INVERT TO STRUCTURE INVERT (ft)	6.35'	6.52'	4.25'	3.52'
FLOW RATE HIGH-FLO / DRAIN-DOWN (cfs per cart)	0.18 / 0.09	0.13 / 0.065	0.09 / 0.045	0.05 / 0.025
MAX. CARTS HIGH-FLO / DRAIN-DOWN	6 / 1			

THIS PROJECT

**JELLYFISH JF6 STANDARD DETAIL OFFLINE CONFIGURATION**  
N.T.S.

**ZONE B DATA REQUIREMENTS**

STRUCTURE ID	B
WATER QUALITY FLOW RATE (cfs)	0.37
PEAK FLOW RATE (cfs)	3.16
RETURN PERIOD OF PEAK FLOW (yrs)	25
# OF CARTRIDGES REQUIRED (HF / DD)	1 / 1
CARTRIDGE SIZE	54"

PIPE DATA:	I.E.	MATERIAL	DIAMETER
INLET PIPE #1	*	HDPE	12"
INLET PIPE #2	*	HDPE	12"
OUTLET PIPE	*	HDPE	12"

RIM ELEVATION	16.25	
ANTI-FLOTATION SOIL	WIDTH	HEIGHT
	0.5'	12.47'

NOTES/SPECIAL REQUIREMENTS:  
MAINE DEP REQUIRES UPSTREAM WQJ TO DRAIN IN 24-48 HOURS.  
CONTECH RESPONSIBLE FOR SIZING INTERNAL ORIFICE TO CONTROL PEAK WATER QUALITY OUTFLOW TO REQUIRED RATE  
\* PER ENGINEER OF RECORD

**ZONE D-3 DATA REQUIREMENTS**

STRUCTURE ID	D-3
WATER QUALITY FLOW RATE (cfs)	0.75
PEAK FLOW RATE (cfs)	7.59
RETURN PERIOD OF PEAK FLOW (yrs)	25
# OF CARTRIDGES REQUIRED (HF / DD)	2 / 1
CARTRIDGE SIZE	54"

PIPE DATA:	I.E.	MATERIAL	DIAMETER
INLET PIPE #1	*	HDPE	12"
INLET PIPE #2	*	HDPE	12"
OUTLET PIPE	*	HDPE	24"

RIM ELEVATION	17.20	
ANTI-FLOTATION SOIL	WIDTH	HEIGHT
	0.5'	13.23'

NOTES/SPECIAL REQUIREMENTS:  
MAINE DEP REQUIRES UPSTREAM WQJ TO DRAIN IN 24-48 HOURS.  
CONTECH RESPONSIBLE FOR SIZING INTERNAL ORIFICE TO CONTROL PEAK WATER QUALITY OUTFLOW TO REQUIRED RATE  
\* PER ENGINEER OF RECORD

**ZONE C DATA REQUIREMENTS**

STRUCTURE ID	C
WATER QUALITY FLOW RATE (cfs)	0.75
PEAK FLOW RATE (cfs)	7.59
RETURN PERIOD OF PEAK FLOW (yrs)	25
# OF CARTRIDGES REQUIRED (HF / DD)	2 / 1
CARTRIDGE SIZE	54"

PIPE DATA:	I.E.	MATERIAL	DIAMETER
INLET PIPE #1	*	HDPE	12"
INLET PIPE #2	*	HDPE	12"
OUTLET PIPE	*	HDPE	24"

RIM ELEVATION	17.20	
ANTI-FLOTATION SOIL	WIDTH	HEIGHT
	0.5'	13.23'

NOTES/SPECIAL REQUIREMENTS:  
MAINE DEP REQUIRES UPSTREAM WQJ TO DRAIN IN 24-48 HOURS.  
CONTECH RESPONSIBLE FOR SIZING INTERNAL ORIFICE TO CONTROL PEAK WATER QUALITY OUTFLOW TO REQUIRED RATE  
\* PER ENGINEER OF RECORD

**ZONE E DATA REQUIREMENTS**

STRUCTURE ID	E
WATER QUALITY FLOW RATE (cfs)	0.062
PEAK FLOW RATE (cfs)	5.51
RETURN PERIOD OF PEAK FLOW (yrs)	25
# OF CARTRIDGES REQUIRED (HF / DD)	2 / 1
CARTRIDGE SIZE	54"

PIPE DATA:	I.E.	MATERIAL	DIAMETER
INLET PIPE #1	*	HDPE	12"
INLET PIPE #2	*	HDPE	12"
OUTLET PIPE	*	HDPE	18"

RIM ELEVATION	18.50	
ANTI-FLOTATION SOIL	WIDTH	HEIGHT
	0.5'	12.08'

NOTES/SPECIAL REQUIREMENTS:  
MAINE DEP REQUIRES UPSTREAM WQJ TO DRAIN IN 24-48 HOURS.  
CONTECH RESPONSIBLE FOR SIZING INTERNAL ORIFICE TO CONTROL PEAK WATER QUALITY OUTFLOW TO REQUIRED RATE  
\* PER ENGINEER OF RECORD

**ZONE D-1 DATA REQUIREMENTS**

STRUCTURE ID	D1
WATER QUALITY FLOW RATE (cfs)	0.17
PEAK FLOW RATE (cfs)	17.37
RETURN PERIOD OF PEAK FLOW (yrs)	25
# OF CARTRIDGES REQUIRED (HF / DD)	6 / 5
CARTRIDGE SIZE	54"

PIPE DATA:	I.E.	MATERIAL	DIAMETER
INLET PIPE #1	*	HDPE	12"
INLET PIPE #2	*	HDPE	12"
OUTLET PIPE	*	HDPE	36"

RIM ELEVATION	17.00	
ANTI-FLOTATION SOIL	WIDTH	HEIGHT
	1'	13.75'

NOTES/SPECIAL REQUIREMENTS:  
MAINE DEP REQUIRES UPSTREAM WQJ TO DRAIN IN 24-48 HOURS.  
CONTECH RESPONSIBLE FOR SIZING INTERNAL ORIFICE TO CONTROL PEAK WATER QUALITY OUTFLOW TO REQUIRED RATE  
\* PER ENGINEER OF RECORD

**ZONE F DATA REQUIREMENTS**

STRUCTURE ID	F
WATER QUALITY FLOW RATE (cfs)	0.11
PEAK FLOW RATE (cfs)	11.21
RETURN PERIOD OF PEAK FLOW (yrs)	25
# OF CARTRIDGES REQUIRED (HF / DD)	4 / 1
CARTRIDGE SIZE	54"

PIPE DATA:	I.E.	MATERIAL	DIAMETER
INLET PIPE #1	*	HDPE	12"
INLET PIPE #2	*	HDPE	12"
OUTLET PIPE	*	HDPE	36"

RIM ELEVATION	16.00	
ANTI-FLOTATION SOIL	WIDTH	HEIGHT
	1'	12.40'

NOTES/SPECIAL REQUIREMENTS:  
MAINE DEP REQUIRES UPSTREAM WQJ TO DRAIN IN 24-48 HOURS.  
CONTECH RESPONSIBLE FOR SIZING INTERNAL ORIFICE TO CONTROL PEAK WATER QUALITY OUTFLOW TO REQUIRED RATE  
\* PER ENGINEER OF RECORD

**ZONE D-2 DATA REQUIREMENTS**

STRUCTURE ID	D2
WATER QUALITY FLOW RATE (cfs)	0.025
PEAK FLOW RATE (cfs)	2.71
RETURN PERIOD OF PEAK FLOW (yrs)	25
# OF CARTRIDGES REQUIRED (HF / DD)	11
CARTRIDGE SIZE	54"

PIPE DATA:	I.E.	MATERIAL	DIAMETER
INLET PIPE #1	*	HDPE	12"
INLET PIPE #2	*	HDPE	12"
OUTLET PIPE	*	HDPE	12"

RIM ELEVATION	15.50	
ANTI-FLOTATION SOIL	WIDTH	HEIGHT
	0.5'	12.35'

NOTES/SPECIAL REQUIREMENTS:  
MAINE DEP REQUIRES UPSTREAM WQJ TO DRAIN IN 24-48 HOURS.  
CONTECH RESPONSIBLE FOR SIZING INTERNAL ORIFICE TO CONTROL PEAK WATER QUALITY OUTFLOW TO REQUIRED RATE  
\* PER ENGINEER OF RECORD

**Jellyfish Unit Schedule**

Schedule ID	Stormwater Discharge Zones					
	B	C	D	D-2	D-3	E
A-Outlet Inv. to Bottom of Structure (ft)	6.42	6.42	6.42	6.42	6.42	6.42
B-Finished Grade to Outlet Inv.	5.55	6.31	6.98	5.43	6.98	5.34
C-Required Outflow (cfs)	0.037	0.075	0.17	0.025	0.17	0.062
D-Inlet Inv. From Water Quality Storage	11.2	11.39	10.52	10.57	10.52	13.66
E-Outlet Inv.	10.7	10.89	10.02	10.07	10.02	13.16
F-Underside of Slab	14.58	15.53	15.33	13.83	15.33	16.83
G-Rim Elevation	16.25	17.2	17	15.5	17	18.5
H-Underside of Slab to Outlet Inv. (ft)	3.88	4.64	5.31	3.76	5.31	3.67
Hatch Required?	YES	YES	NO	YES	NO	YES

	PROJECT	THE FOREFRONT AT THOMPSON'S POINT		DATE	SEPT 2014
	SHEET TITLE	STORMWATER DETAILS		SCALE	AS NOTED
CLIENT	FOREFRONT PARTNERS   LP	CHECKED	SRB	JOB NO.	SP-M007B
REV	DATE	DESCRIPTION	FILE NAME	2982.05-SUB DET	
1	08.13.15	FINAL SUBDIVISION APPLICATION SUBMISSION	SHEET		C-7.3