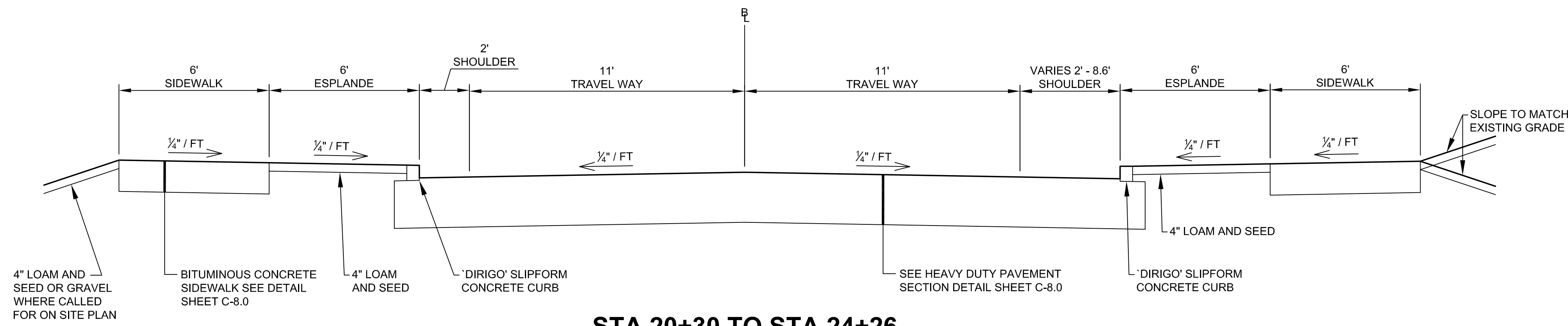
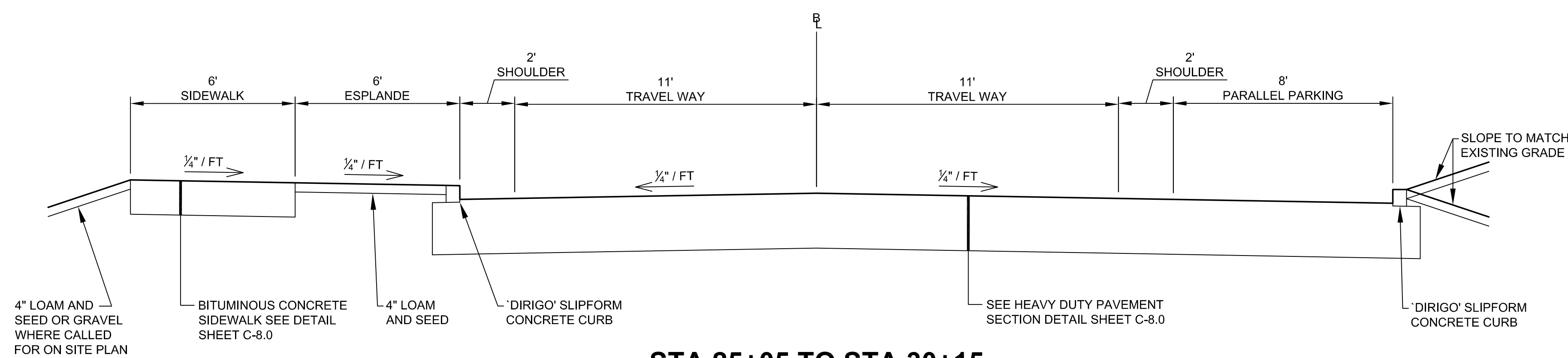


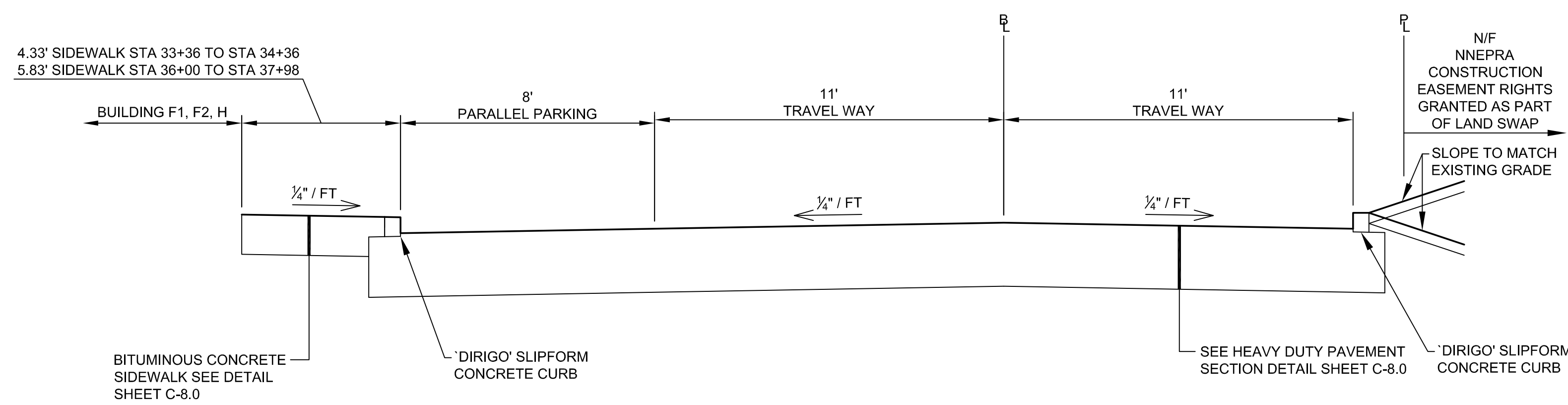
**STA 18+41 TO STA 20+30
STA 24+26 TO STA 25+05
TYPICAL ROADWAY SECTION E-E**
N.T.S.



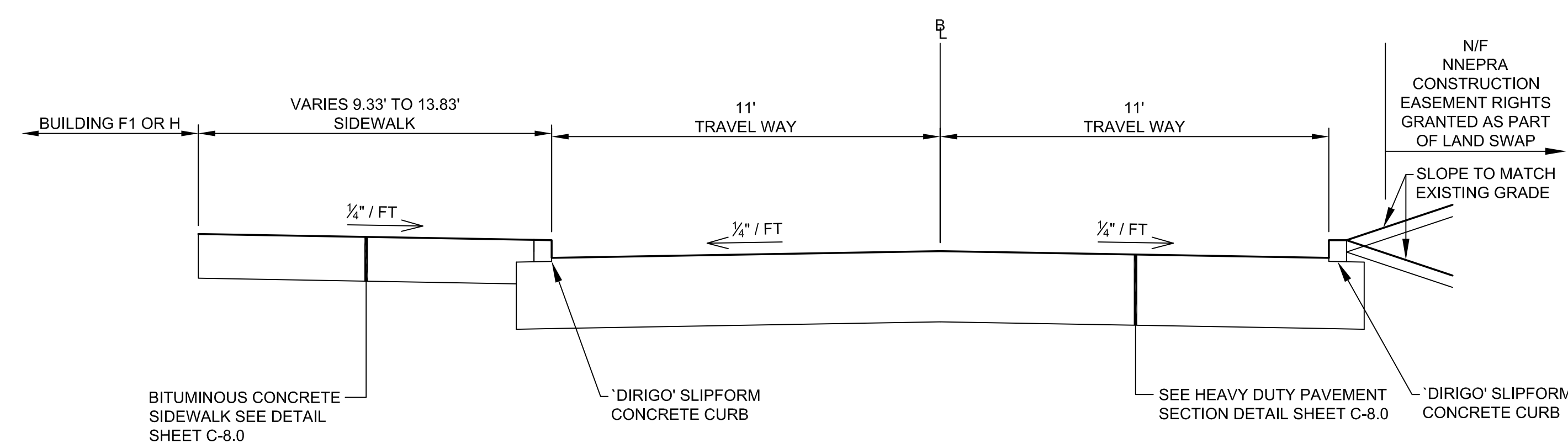
**STA 20+30 TO STA 24+26
TYPICAL ROADWAY SECTION F-F**
N.T.S.



**STA 25+05 TO STA 30+15
TYPICAL ROADWAY SECTION G-G**
N.T.S.



**STA 33+36 TO STA 34+36
STA 36+00 TO STA 38+00
TYPICAL ROADWAY SECTION H-H**
N.T.S.



**STA 34+36 TO STA 36+00
TYPICAL ROADWAY SECTION I-I**
N.T.S.

PRELIMINARY - NOT FOR CONSTRUCTION

		PROJECT THE FOREFRONT AT THOMPSON'S POINT	FAY, SPOFFORD & THORNDIKE ENGINEERS - PLANNERS - SCIENTISTS 778 MAIN ST, SUITE 8, SOUTH PORTLAND, ME 04106
SHEET TITLE TYPICAL ROADWAY CROSS SECTIONS		DRAWN: DED DATE: SEPT 2014 DESIGNED: BEK SCALE: N.T.S. CHECKED: SRB JOB NO. 2982.05 FILE NAME: 2982.05-SUB DET	
CLIENT FOREFRONT PARTNERS LP		SHEET C-7.9	
1 12.12.14 FINAL SUBDIVISION APPLICATION SUBMISSION	REVISIONS	LIC. #11994	