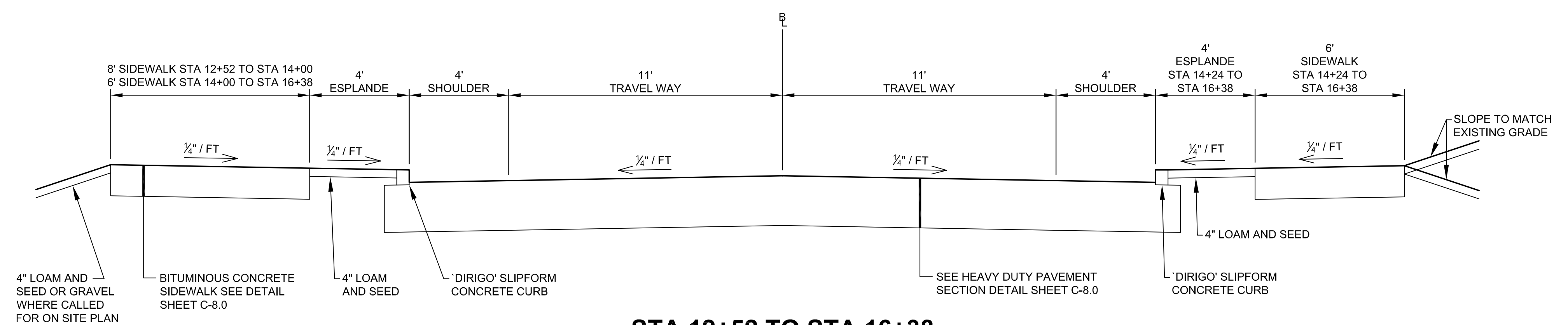
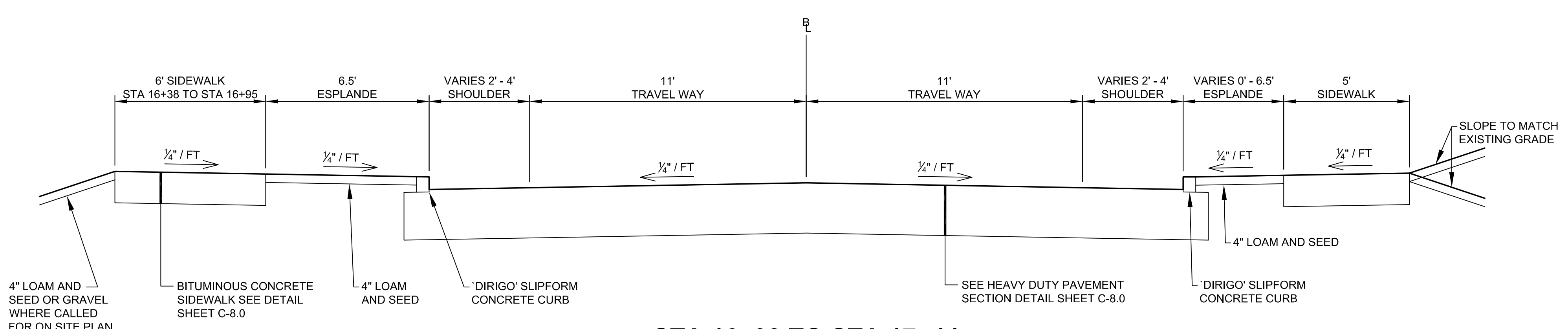


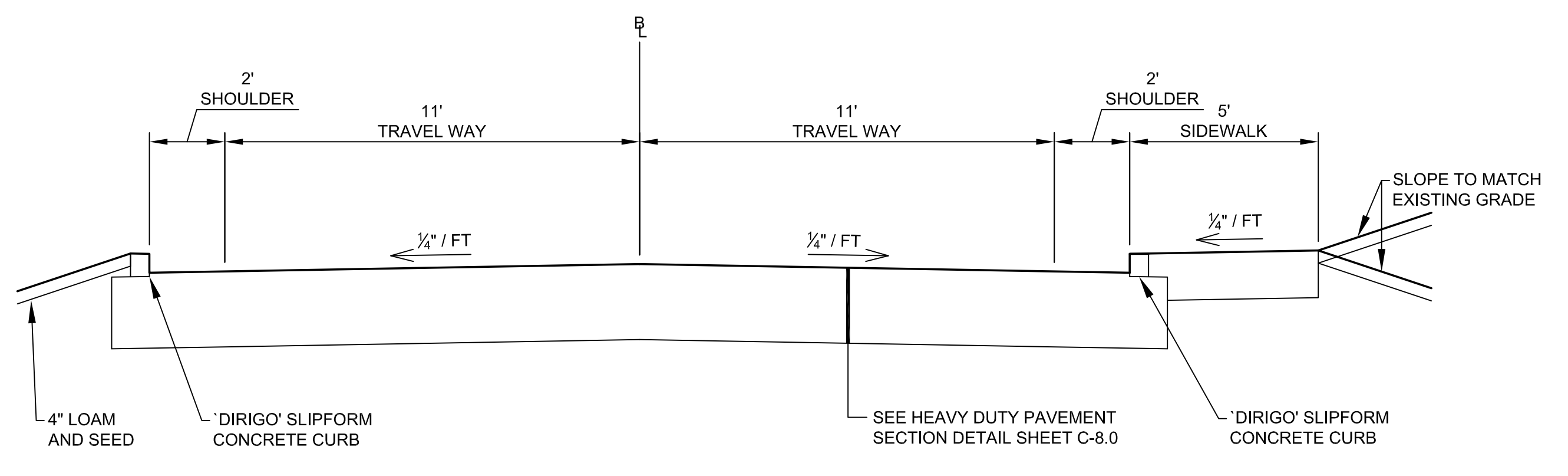
STA 10+00 TO STA 12+52
TYPICAL ROADWAY SECTION A-A
 N.T.S.



STA 12+52 TO STA 16+38
TYPICAL ROADWAY SECTION B-B
 N.T.S.



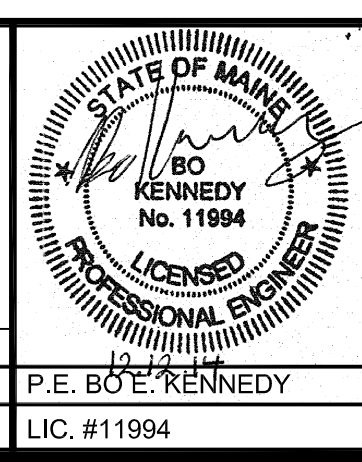
STA 16+38 TO STA 17+44
TYPICAL ROADWAY SECTION C-C
 N.T.S.



STA 17+44 TO STA 18+41
TYPICAL ROADWAY SECTION D-D
 N.T.S.

PRELIMINARY - NOT FOR CONSTRUCTION

REV	DATE	DESCRIPTION
1	12.12.14	FINAL SUBDIVISION APPLICATION SUBMISSION
		REVISIONS



PROJECT: THE FOREFRONT AT THOMPSON'S POINT
 SHEET TITLE: TYPICAL ROADWAY CROSS SECTIONS
 CLIENT: FOREFRONT PARTNERS | LP

FST FAY, SPOFFORD & THORNDIKE
 ENGINEERS - PLANNERS - SCIENTISTS
 778 MAIN ST, SUITE 8, SOUTH PORTLAND, ME 04106

DRAWN: DED DATE: SEPT 2014
 DESIGNED: BEK SCALE: N.T.S.
 CHECKED: SRB JOB NO. 2982.05
 FILE NAME: 2982.05-SUB DET
 SHEET: C-7.8

R:\2982.05 - Amended Site Plan Part II\Cadd\Permit Set\dwg\SUBDIVISION\2982.05-SUB DET.dwg dwt, 12/15/2014 12:57 PM