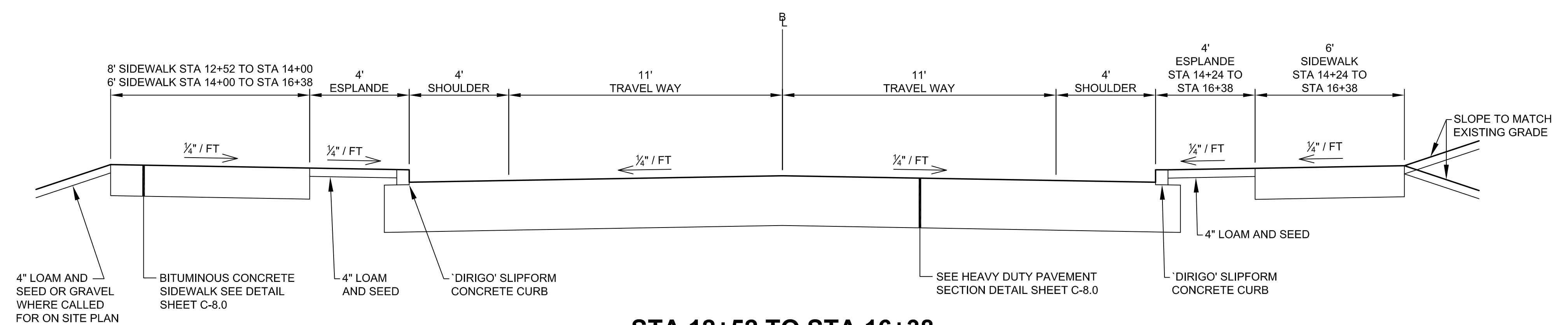
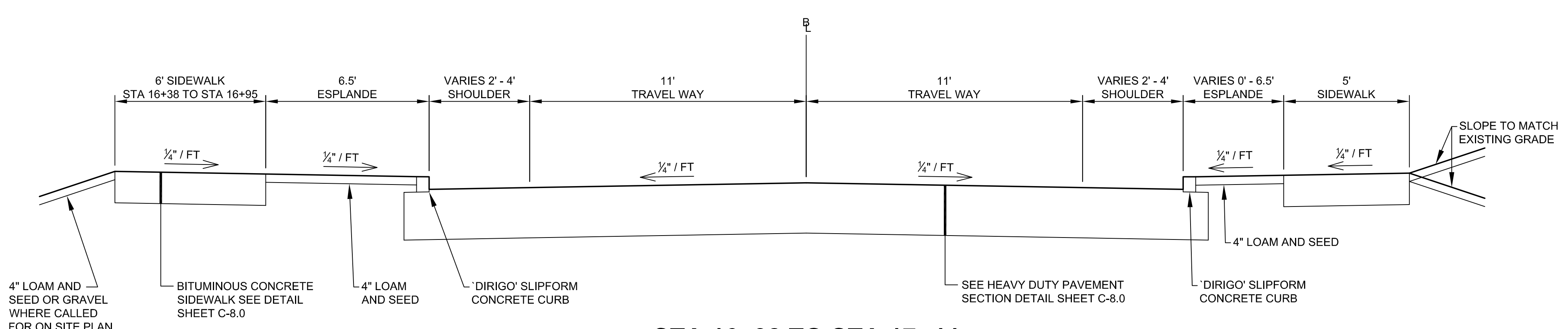


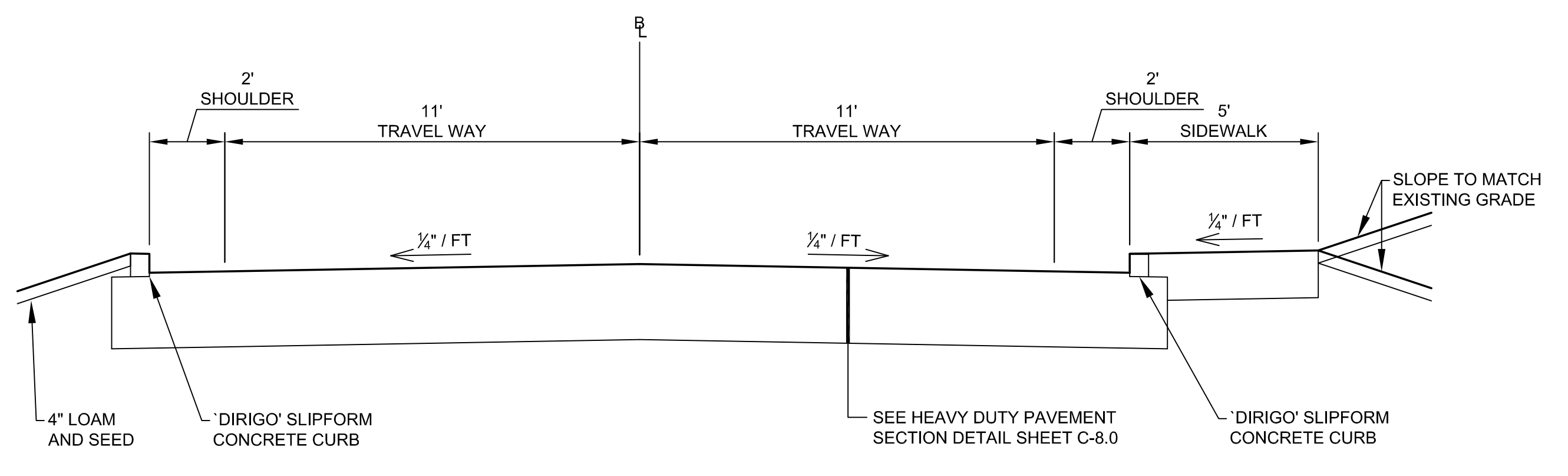
STA 10+00 TO STA 12+52
TYPICAL ROADWAY SECTION A-A
 N.T.S.



STA 12+52 TO STA 16+38
TYPICAL ROADWAY SECTION B-B
 N.T.S.



STA 16+38 TO STA 17+44
TYPICAL ROADWAY SECTION C-C
 N.T.S.



STA 17+44 TO STA 18+41
TYPICAL ROADWAY SECTION D-D
 N.T.S.

PRELIMINARY - NOT FOR CONSTRUCTION

		PROJECT THE FOREFRONT AT THOMPSON'S POINT	FAY, SPOFFORD & THORNDIKE, INC. ENGINEERS - PLANNERS - SCIENTISTS 778 MAIN ST., SUITE 8, SOUTH PORTLAND, ME 04106
SHEET TITLE TYPICAL ROADWAY CROSS SECTIONS		DRAWN: DED DESIGNED: BEK CHECKED: SRB	DATE: SEPT 2014 SCALE: N.T.S. JOB NO. 2982.05
CLIENT FOREFRONT PARTNERS LP		FILE NAME: 2982.05-SUB DET	SHEET C-7.8
1 REV DATE DESCRIPTION	10.10.14 FINAL SUBDIVISION APPLICATION SUBMISSION	REVISIONS	LIC. #11994

R:\2982.05 - Amended Site Plan Part II\Cadd\Permit Set\dwg\SUBVISION\2982.05-SUB DET.dwg dwt, 10/10/2014 2:24 PM