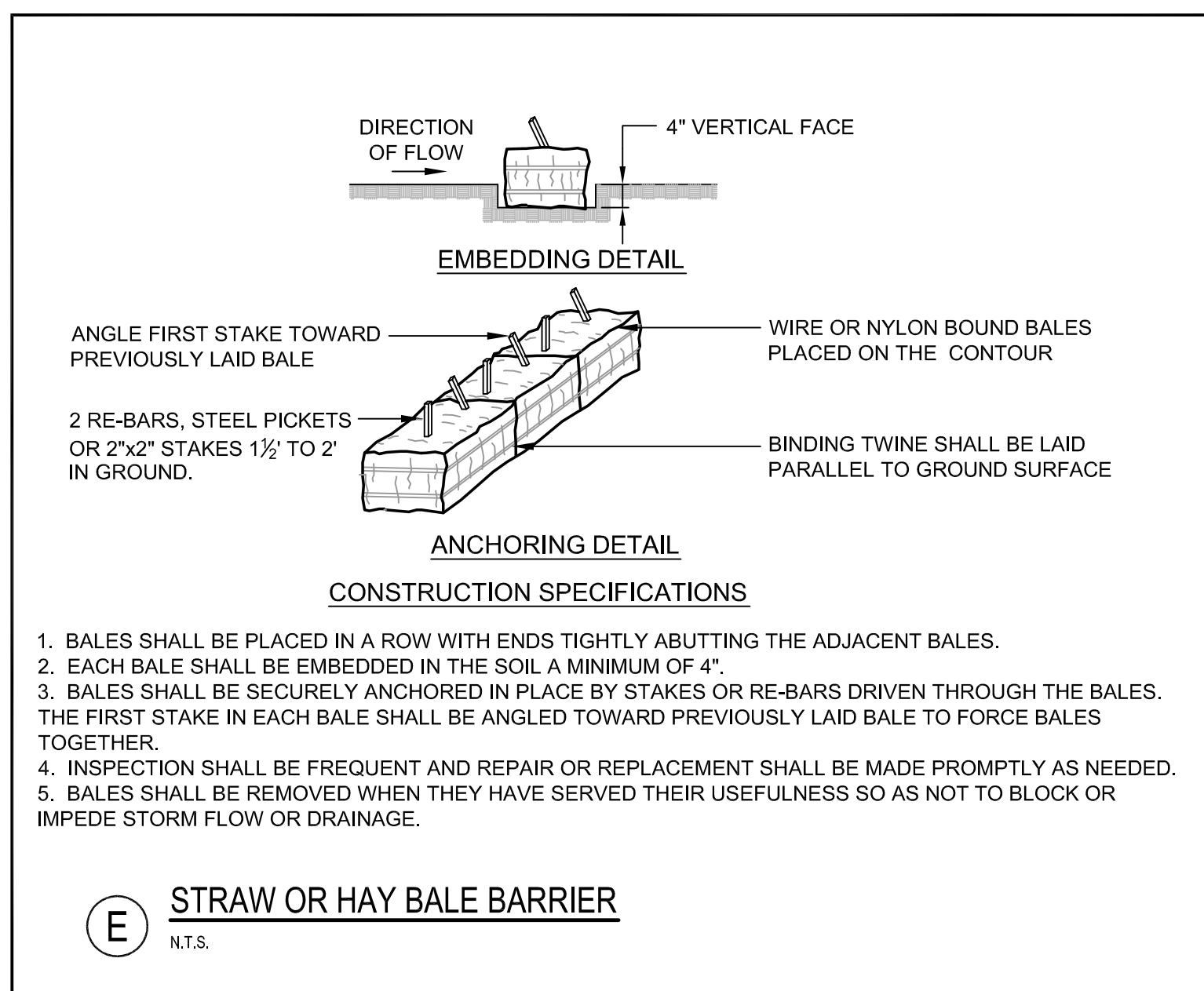
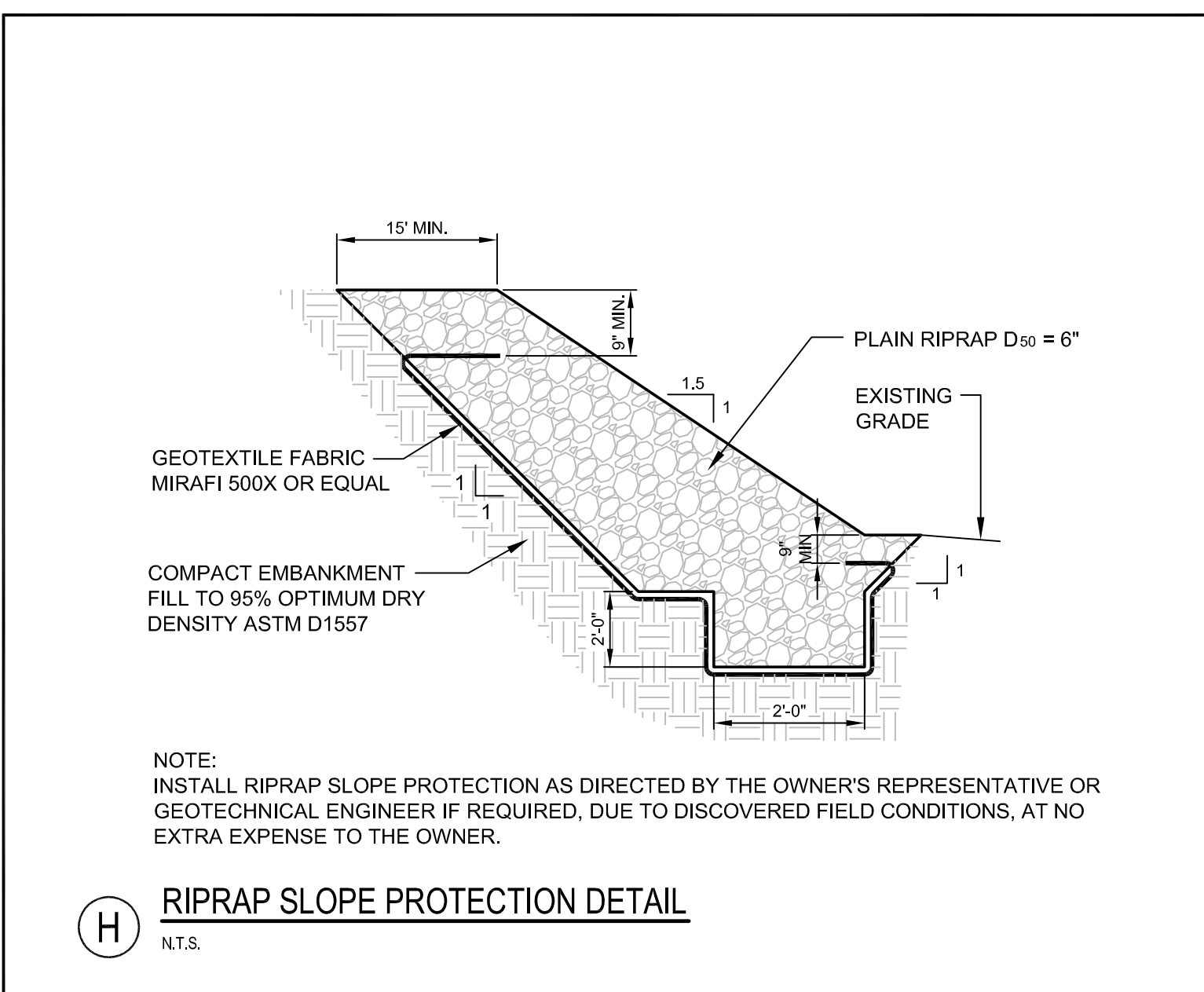


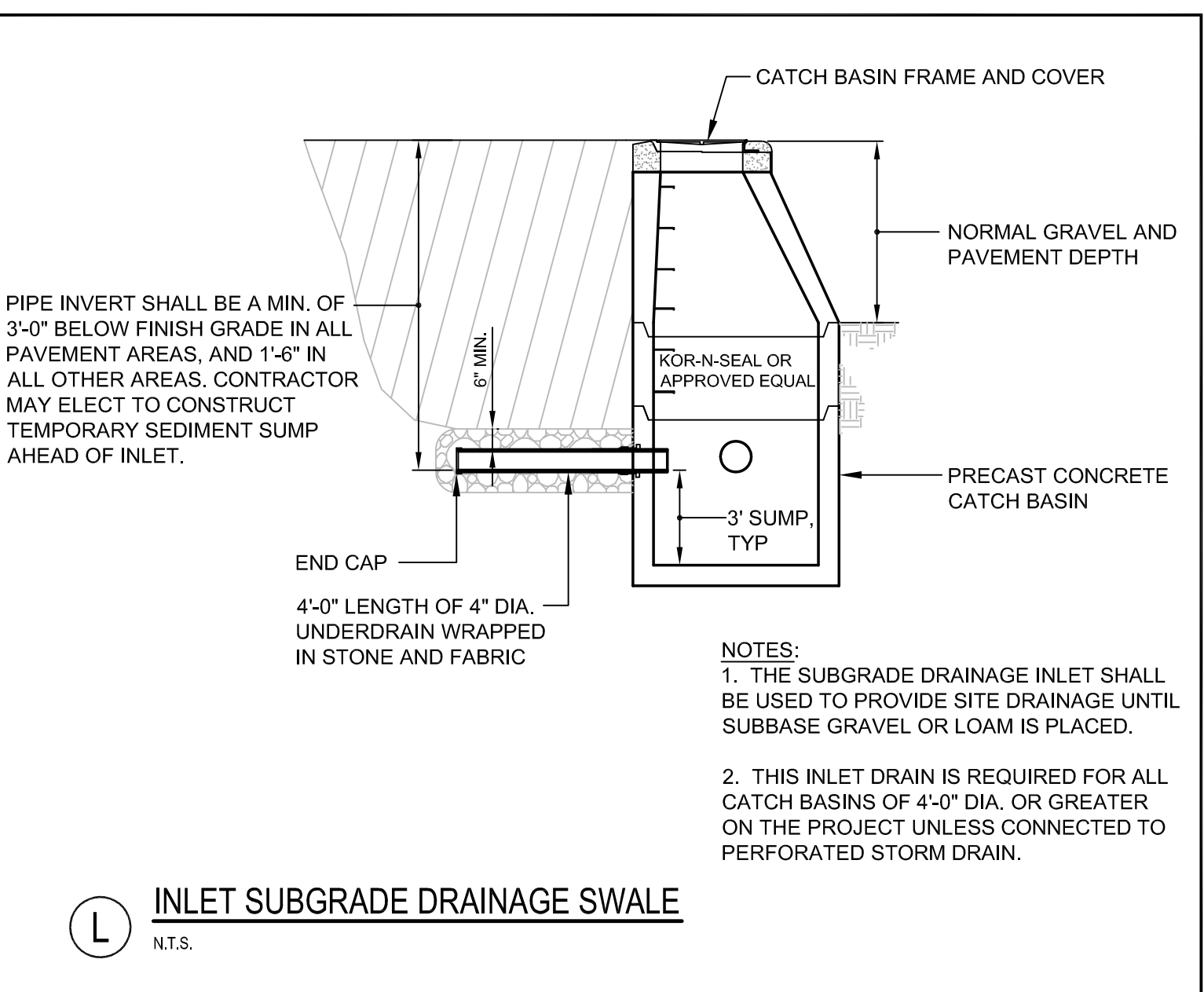
(A) STABILIZED CONSTRUCTION ENTRANCE
N.T.S.



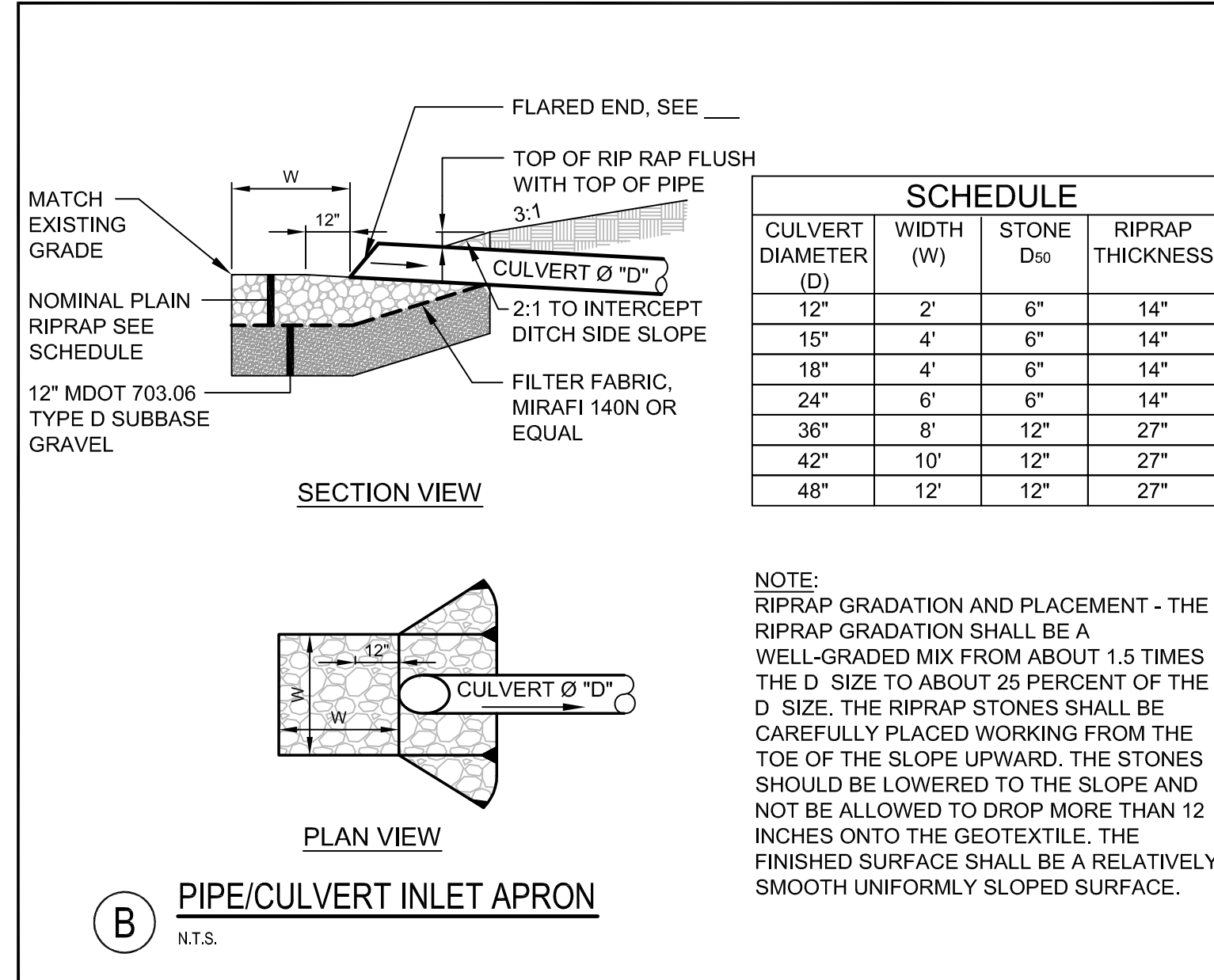
(E) STRAW OR HAY BALE BARRIER
N.T.S.



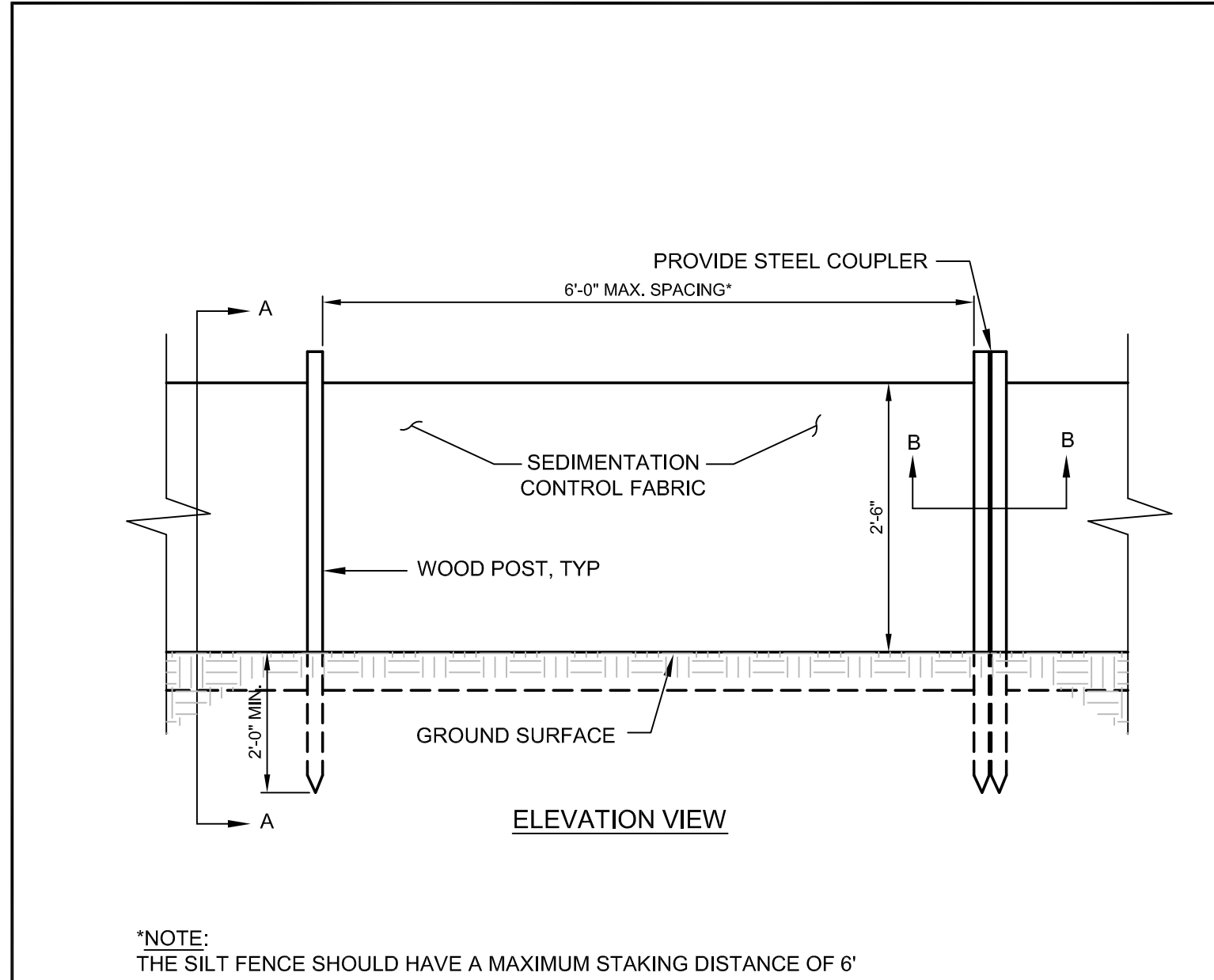
(H) RIPRAP SLOPE PROTECTION DETAIL
N.T.S.



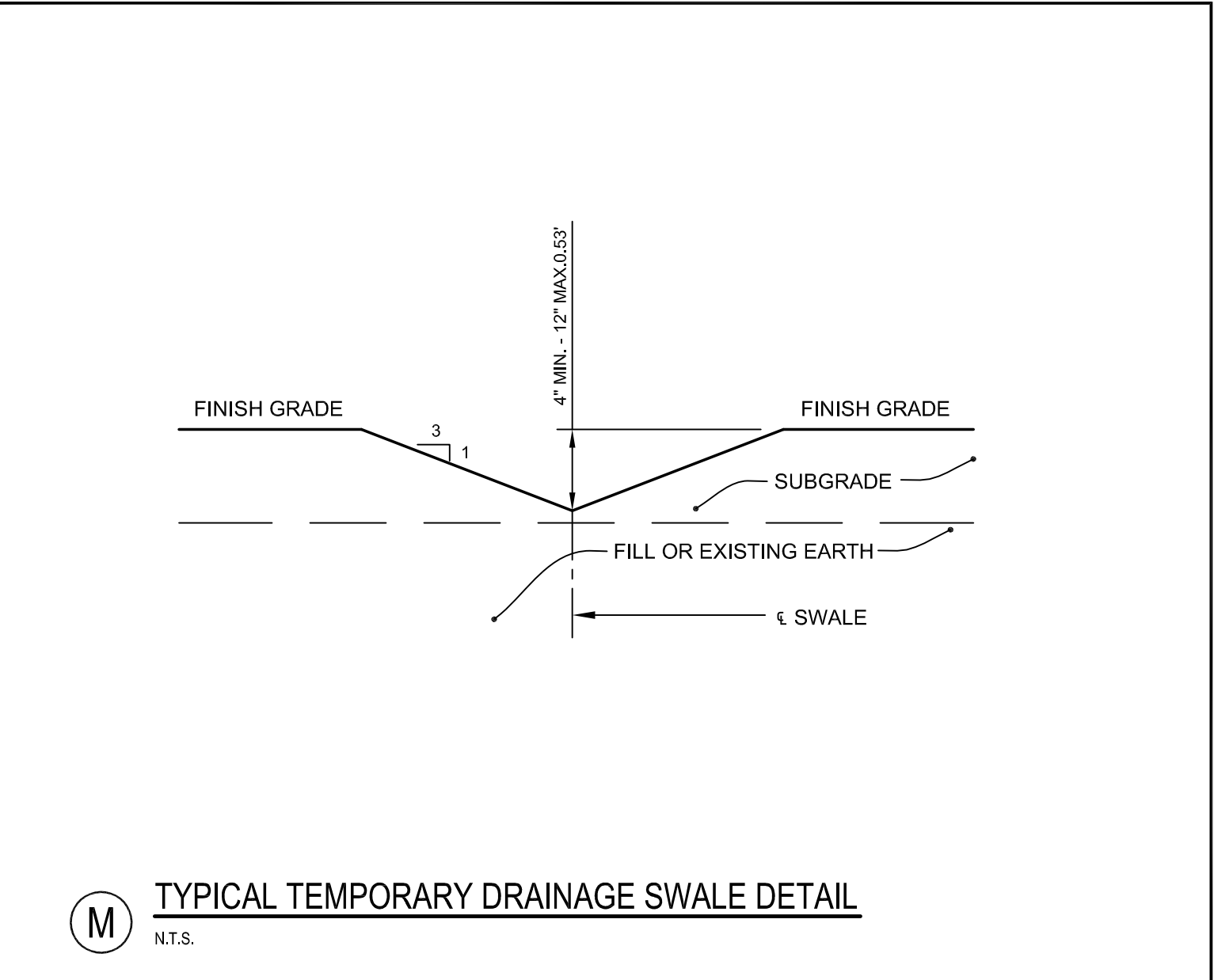
(L) INLET SUBGRADE DRAINAGE SWALE
N.T.S.



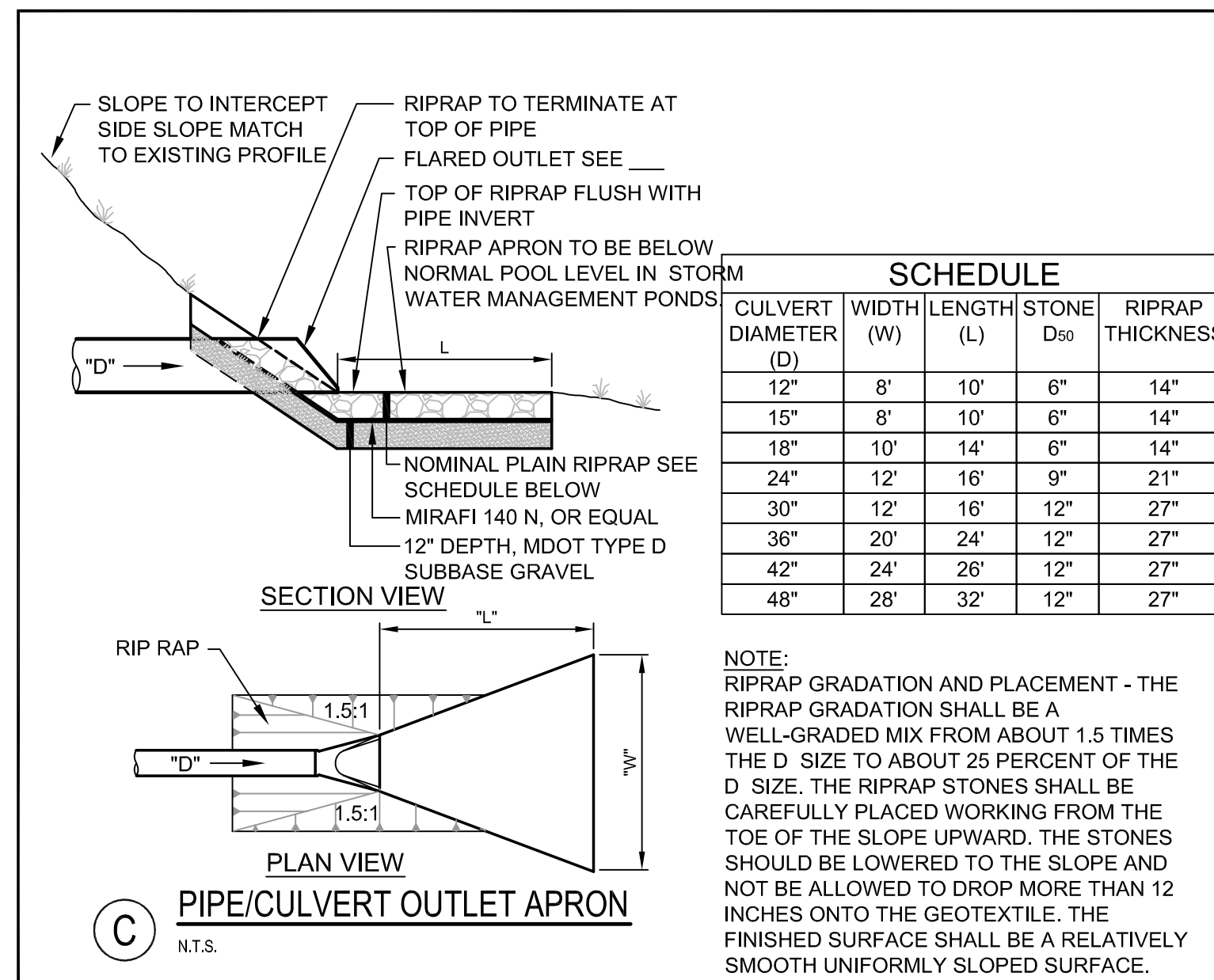
(B) PIPE/CULVERT INLET APRON
N.T.S.



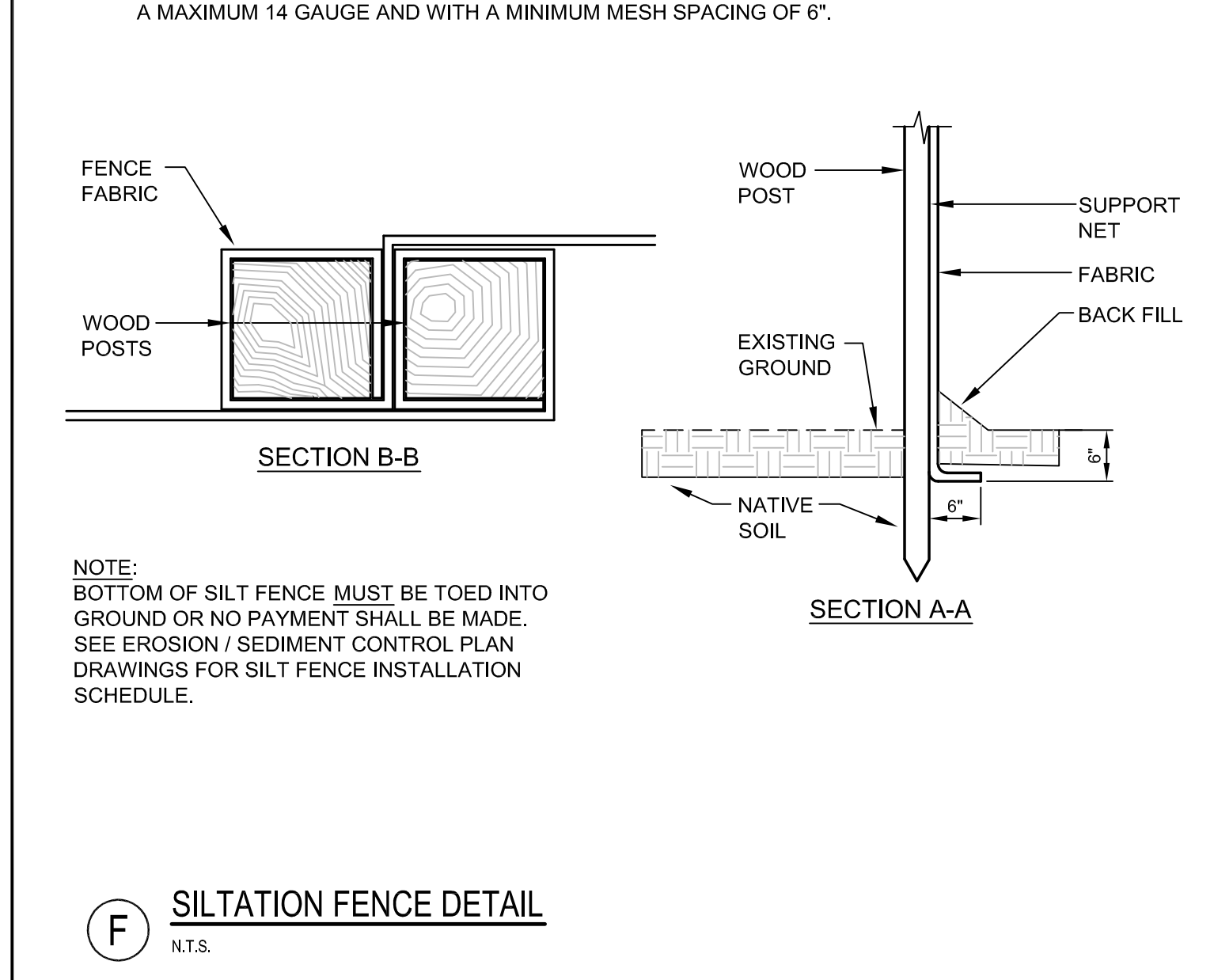
(I) STONE CHECK DAM
N.T.S.



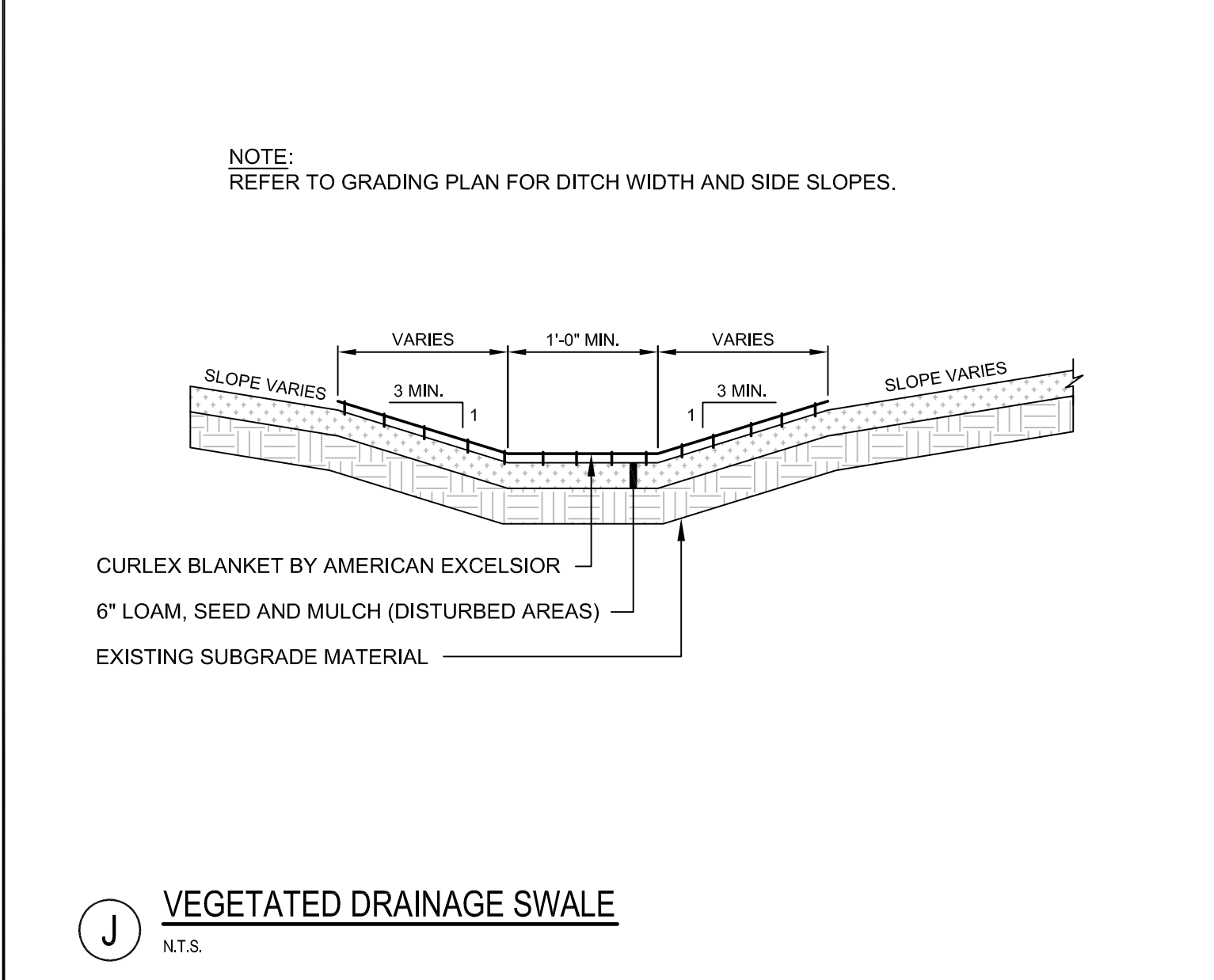
(M) TYPICAL TEMPORARY DRAINAGE SWALE DETAIL
N.T.S.



(C) PIPE/CULVERT OUTLET APRON
N.T.S.



(F) SILTATION FENCE DETAIL
N.T.S.



(J) VEGETATED DRAINAGE SWALE
N.T.S.

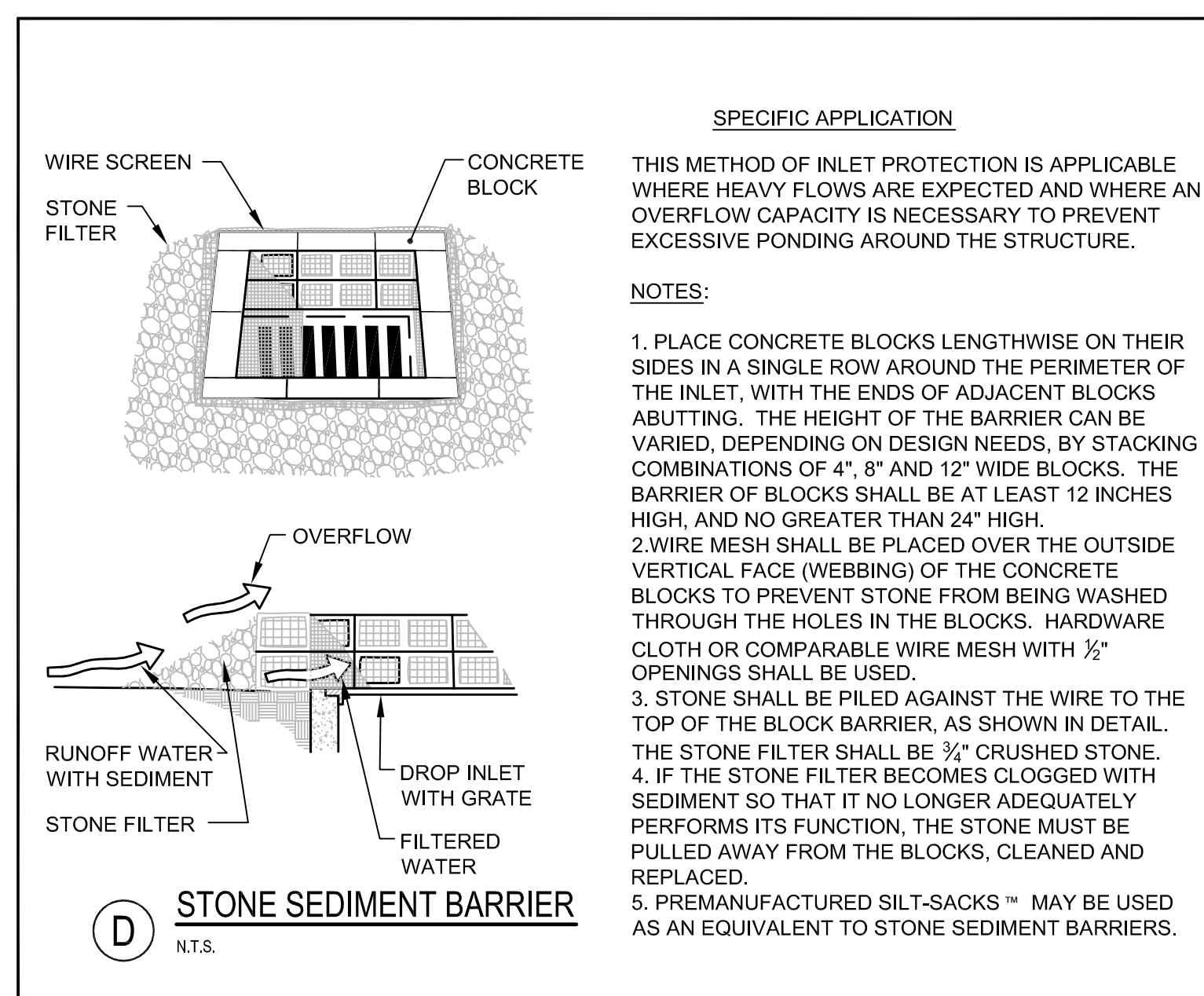
SILTSACK® SPECIFICATIONS

NOTE: THE SILTSACK® WILL BE MANUFACTURED FROM A WOVEN POLYPROPYLENE FABRIC THAT MEETS OR EXCEEDS THE FOLLOWING SPECIFICATIONS.

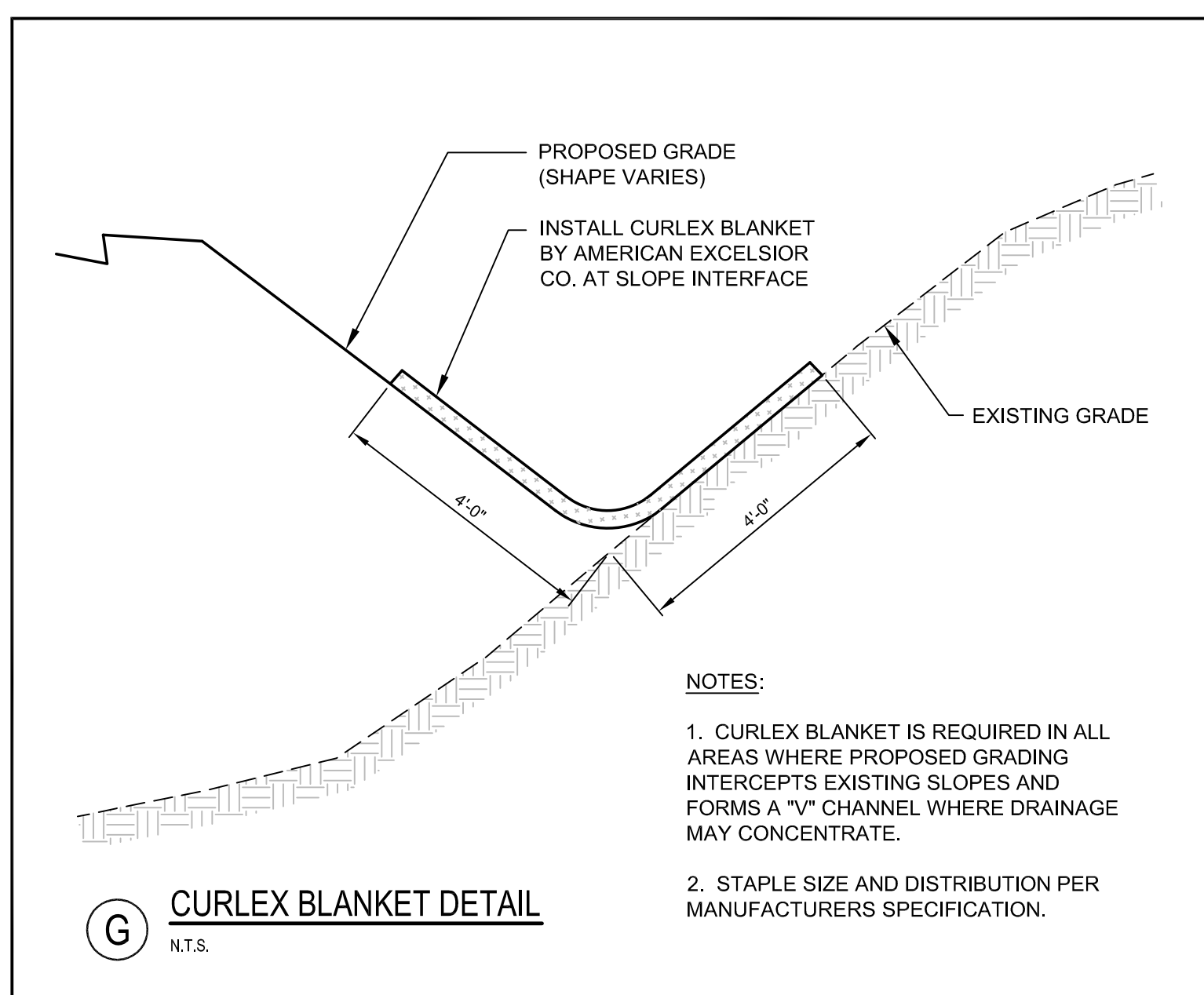
PROPERTIES	TEST METHOD	UNITS
GRAB TENSILE STRENGTH	ASTM D-4632	300 LBS
GRAB TENSILE ELONGATION	ASTM D-4632	20%
PUNCTURE	ASTM D-4833	120 LBS
MULLEN BURST	ASTM D-3786	600 PSI
TRAPEZOID TEAR	ASTM D-4533	120 LBS
UV RESISTANCE	ASTM D-4355	80%
APPARENT OPENING SIZE	ASTM D-4751	40 US SIEVE
FLOW RATE	ASTM D-4491	40 GAL/MIN/SQ FT
PERMITTIVITY	ASTM D-4491	0.55 SEC-1

PROPERTIES	TEST METHOD	UNITS
GRAB TENSILE STRENGTH	ASTM D-4632	265 LBS
GRAB TENSILE ELONGATION	ASTM D-4632	20%
PUNCTURE	ASTM D-4833	135 LBS
MULLEN BURST	ASTM D-3786	420 PSI
TRAPEZOID TEAR	ASTM D-4533	45 LBS
UV RESISTANCE	ASTM D-4355	90%
APPARENT OPENING SIZE	ASTM D-4751	20 US SIEVE
FLOW RATE	ASTM D-4491	200 GAL/MIN/SQ FT
PERMITTIVITY	ASTM D-4491	1.5 SEC-1

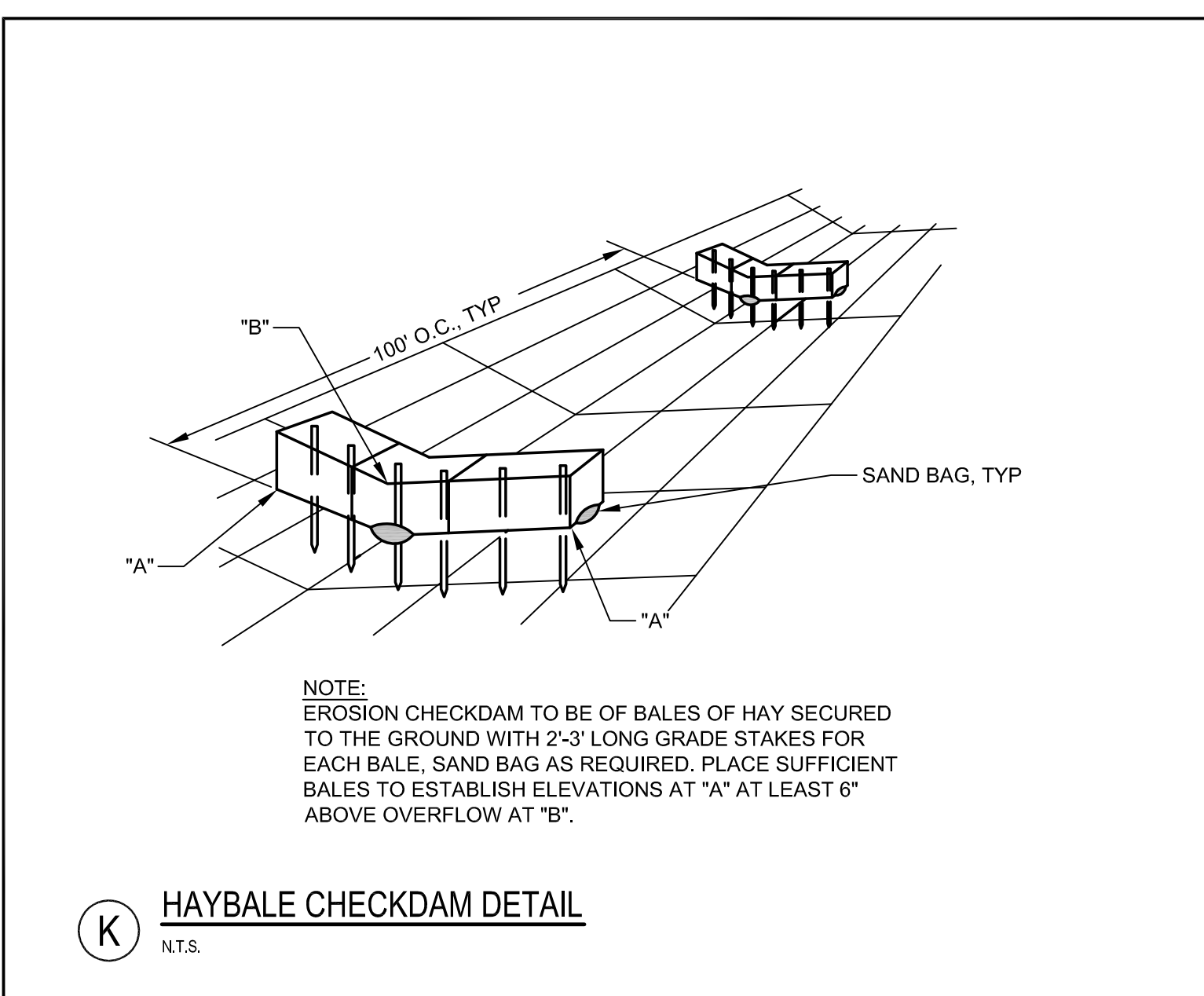
(N) SILTSACK® DETAIL AND SPECIFICATIONS
N.T.S.



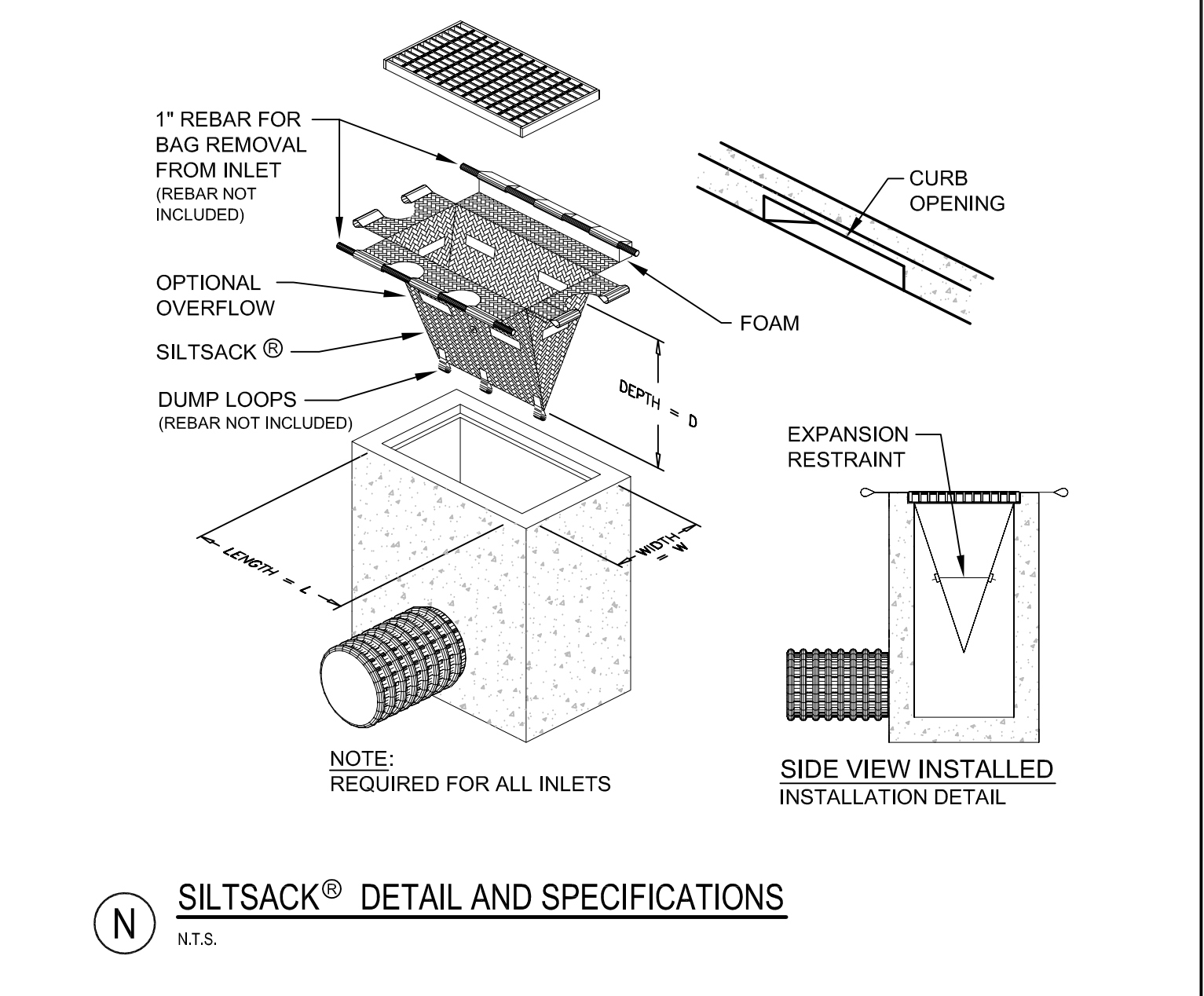
(D) STONE SEDIMENT BARRIER
N.T.S.



(G) CURLEX BLANKET DETAIL
N.T.S.



(K) HAYBALE CHECKDAM DETAIL
N.T.S.



(N) SILTSACK® DETAIL AND SPECIFICATIONS
N.T.S.

PRELIMINARY - NOT FOR CONSTRUCTION

		PROJECT: THE FOREFRONT AT THOMPSON'S POINT SHEET TITLE: EROSION AND SEDIMENT CONTROL DETAILS CLIENT: FOREFRONT PARTNERS LP	PROJECT: THE FOREFRONT AT THOMPSON'S POINT ENGINEERS - PLANNERS - SCIENTISTS 778 MAIN ST., SUITE 6, SOUTH PORTLAND, ME 04106 DRAWN: DED DATE: SEPT 2014 DESIGNED: BEK SCALE: N.T.S. CHECKED: SRB JOB NO. 2982.05 FILE NAME: 2982.05-SUB DET SHEET: C-7.5
1 10.10.14 FINAL SUBDIVISION APPLICATION SUBMISSION REV DATE DESCRIPTION REVISIONS	P.E. BO E. KENNEDY LIC. #11994		

02982.05 Amended Site Plan Part II (Cadd) Permit Set.dwg/SUBDIVISION/2982.05-SUB DET.dwg Date: 10/10/2014 2:21 PM