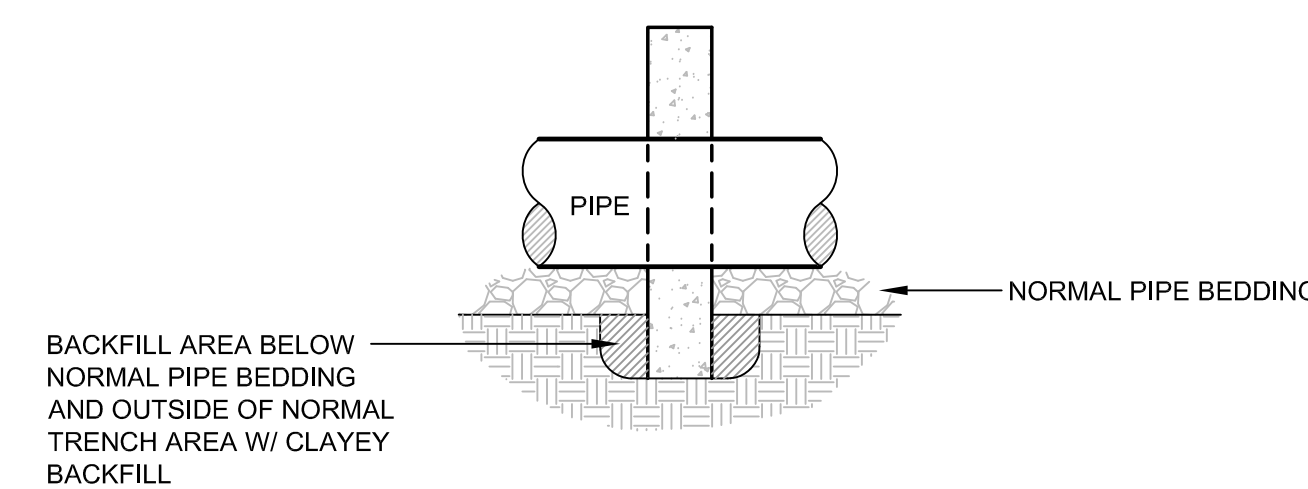
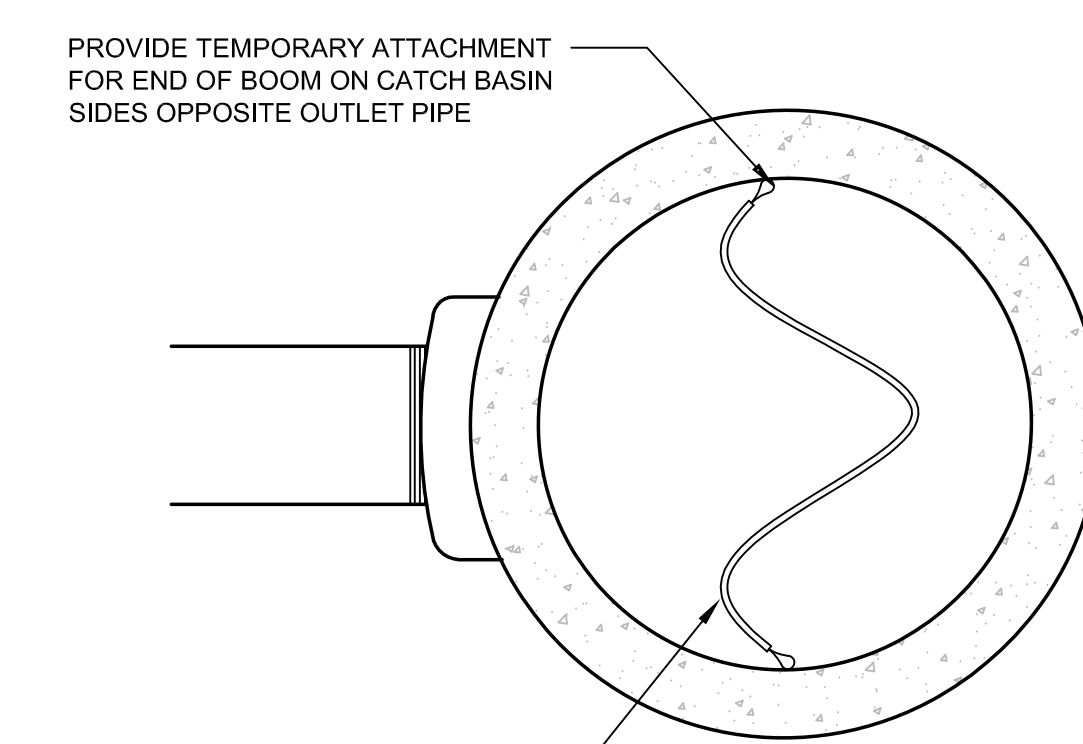
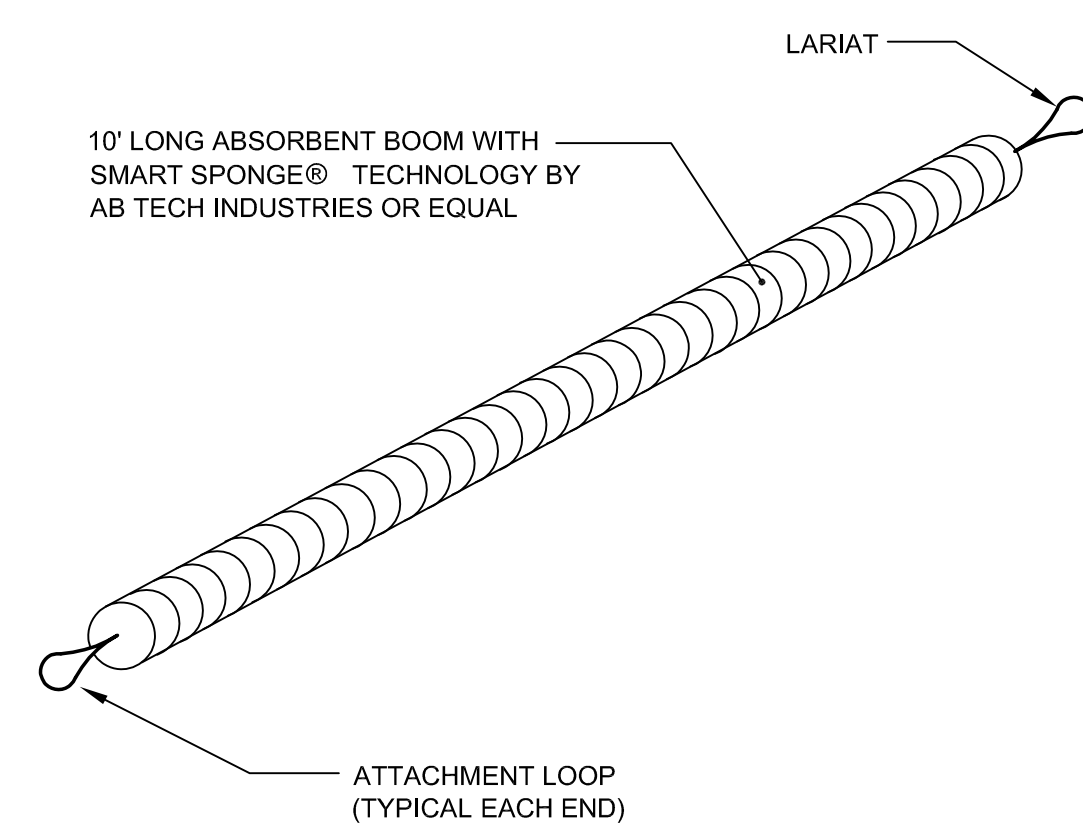


SECTION A-A



SECTION B-B

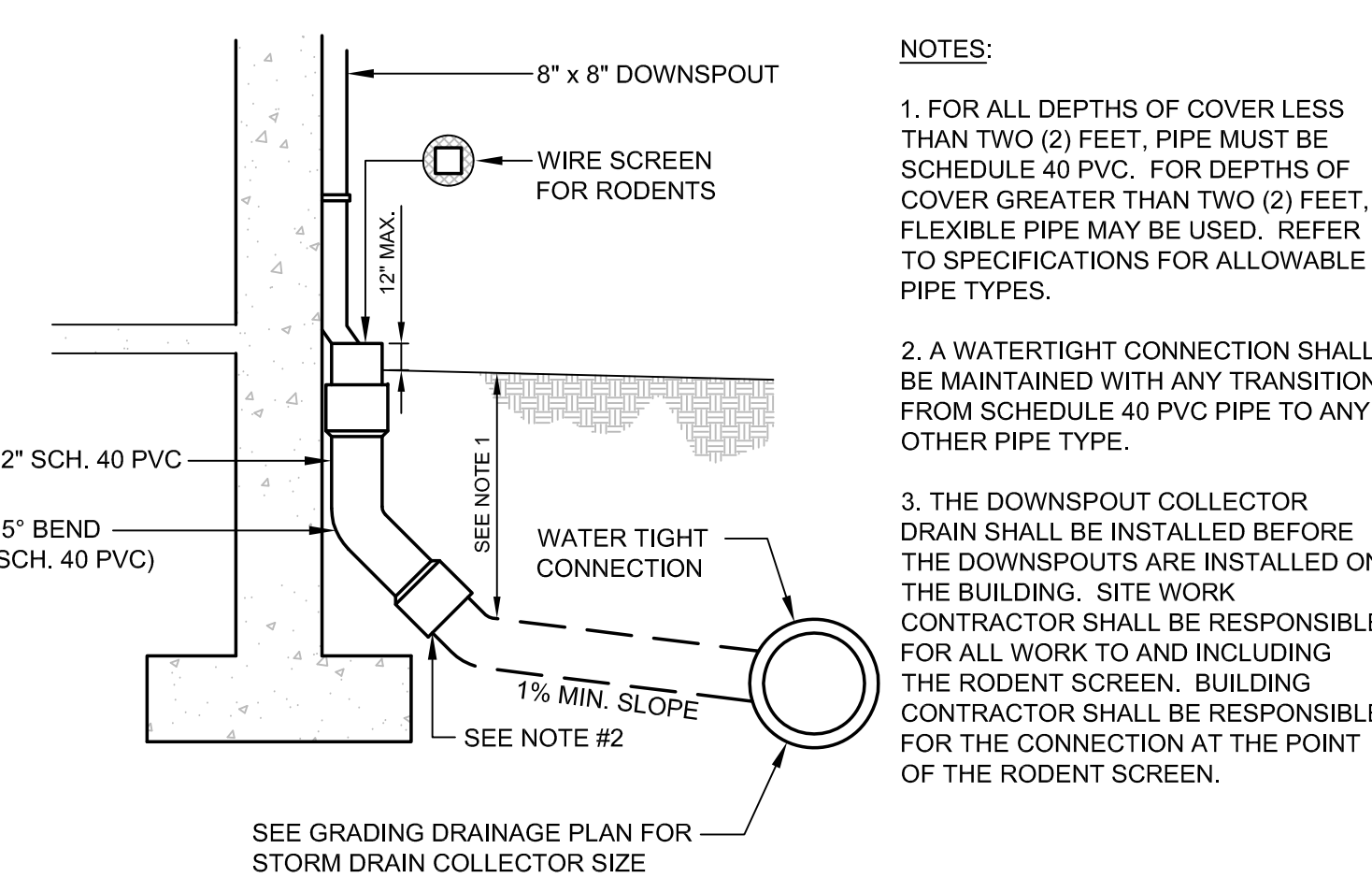
A ANTISEEP COLLAR
N.T.S.



PLAN VIEW LOOKING INTO CATCH BASIN

- NOTES:
1. REQUIRED FOR ALL CATCH BASINS WHICH RECEIVE RUNOFF FROM PAVED AREAS.
 2. REFER TO EROSION CONTROL REPORT FOR ADDITIONAL INFORMATION.
 3. CONTRACTOR MAY SELECT OTHER TYPE OF EQUIVALENT OIL ABSORBENT PRODUCTS.
 4. SUBMITTALS ARE REQUIRED FOR THESE ITEMS.

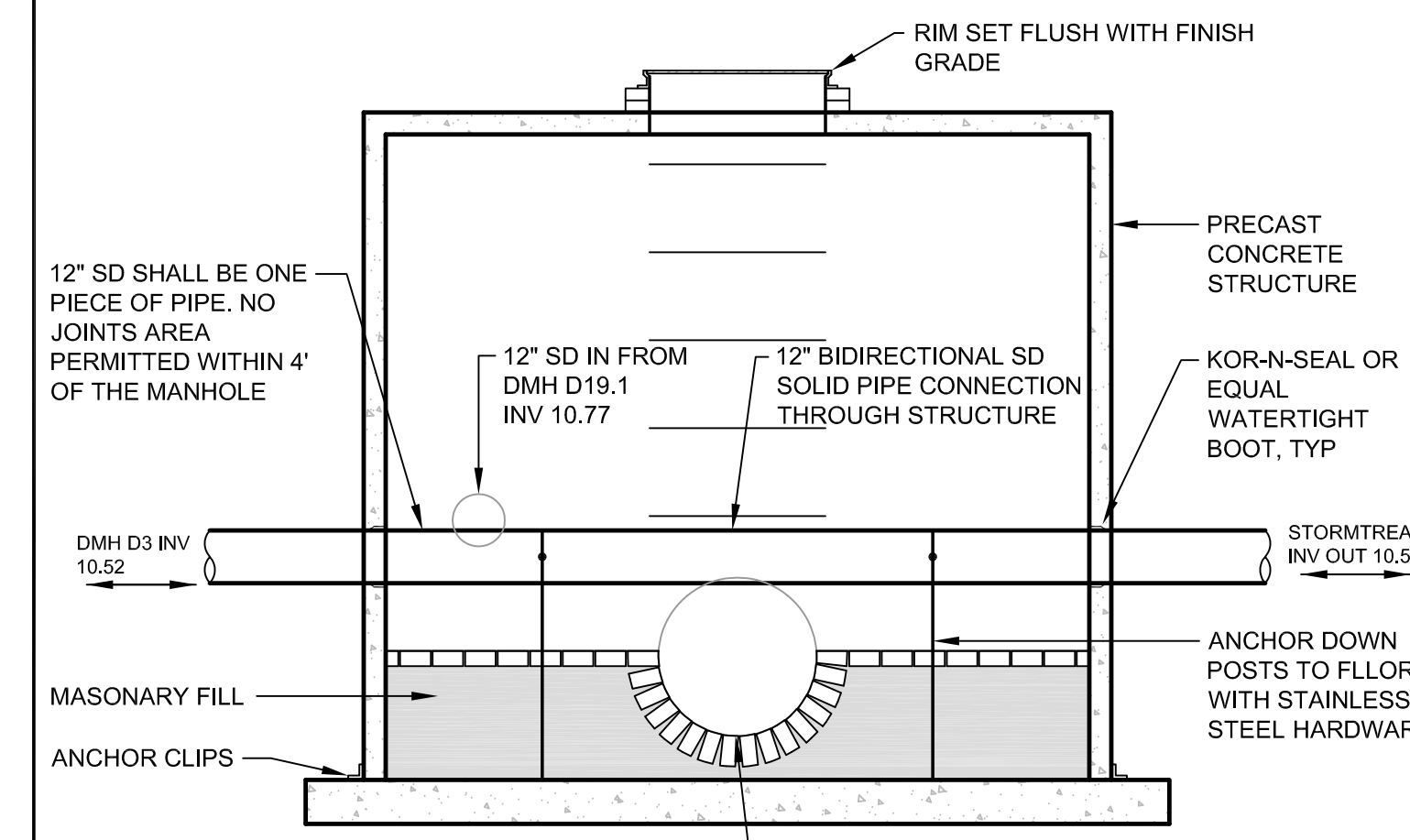
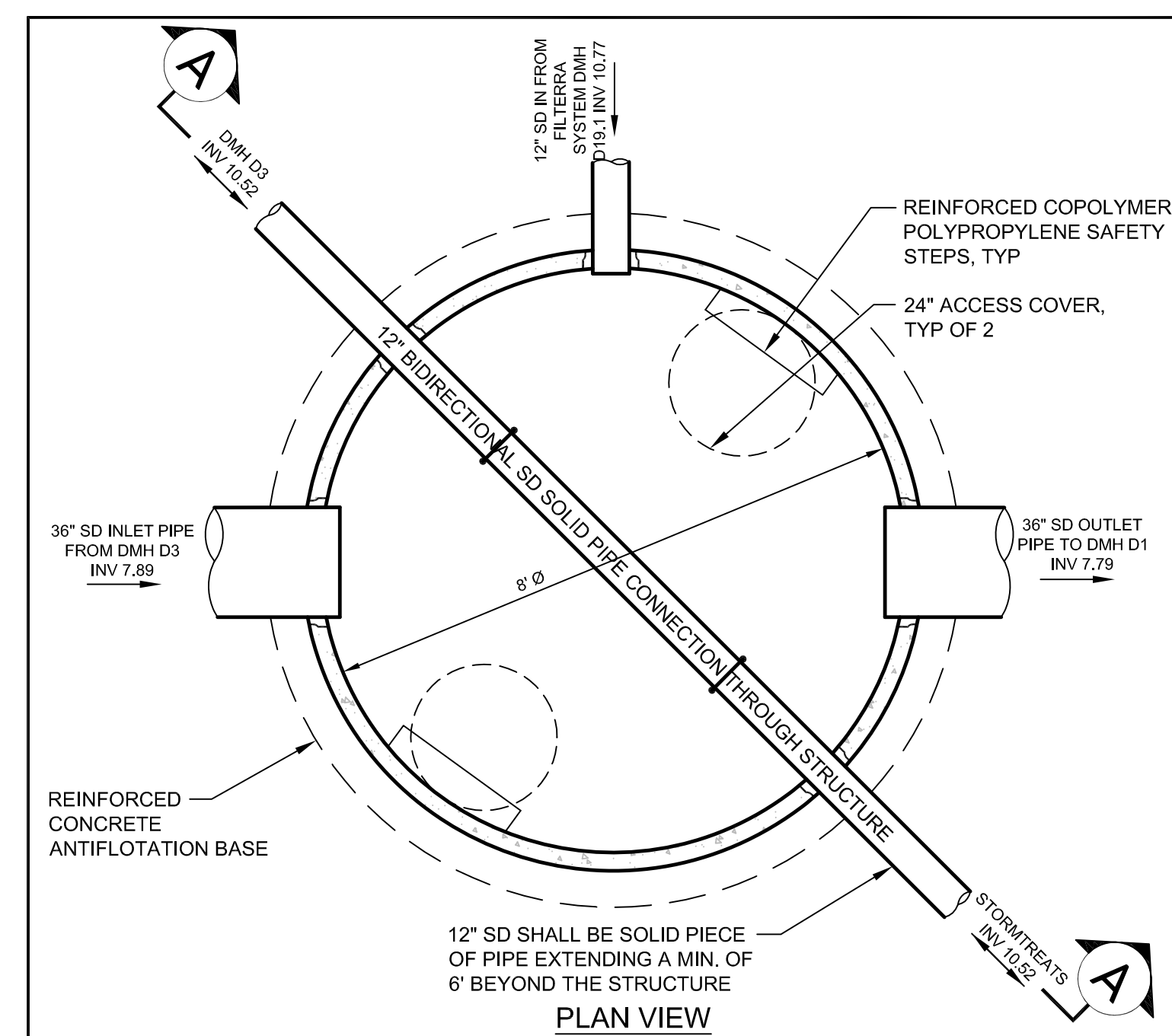
B TEMPORARY WATER QUALITY MEASURE INSIDE OF CATCH BASINS
N.T.S.



- NOTES:
1. FOR ALL DEPTHS OF COVER LESS THAN TWO (2) FEET, PIPE MUST BE SCHEDULE 40 PVC. FOR DEPTHS OF COVER GREATER THAN TWO (2) FEET, FLEXIBLE PIPE MAY BE USED. REFER TO SPECIFICATIONS FOR ALLOWABLE PIPE TYPES.
 2. A WATERTIGHT CONNECTION SHALL BE MAINTAINED WITH ANY TRANSITION FROM SCHEDULE 40 PVC PIPE TO ANY OTHER PIPE TYPE.
 3. THE DOWNSPOUT COLLECTOR DRAIN SHALL BE INSTALLED BEFORE THE DOWNSPOUTS ARE INSTALLED ON THE BUILDING. SITE WORK CONTRACTOR SHALL BE RESPONSIBLE FOR ALL WORK TO AND INCLUDING THE RODENT SCREEN. BUILDING CONTRACTOR SHALL BE RESPONSIBLE FOR THE CONNECTION AT THE POINT OF THE RODENT SCREEN.

NOTE:
ARCHITECT MAY ELECT TO USE INTERNAL ROOF DRAINS - REFER TO ARCHITECTURAL PLANS

C ROOF DRAIN DETAIL
N.T.S.



D SPECIAL STORMWATER APPURTENANCE - DMH D2
N.T.S.

PRELIMINARY - NOT FOR CONSTRUCTION

		PROJECT THE FOREFRONT AT THOMPSON'S POINT SHEET TITLE STORMWATER DETAILS	FAY, SPOFFORD & THORNDIKE, INC. ENGINEERS - PLANNERS - SCIENTISTS 778 MAIN ST., SUITE 6, SOUTH PORTLAND, ME 04106
DRAWN: DED DESIGNED: BEK CHECKED: SRB FILE NAME: 2982.05-SUB DET SHEET	DATE: SEPT 2014 SCALE: N.T.S. JOB NO. 2982.05	CLIENT FOREFRONT PARTNERS LP	LIC. #11994
1 10.10.14 FINAL SUBDIVISION APPLICATION SUBMISSION REV DATE DESCRIPTION REVISIONS			