

(A) SC-740 TYPICAL DETENTION SYSTEM CROSS SECTION
N.T.S.

*SEE STORMTECH'S DESIGN MANUAL FOR STORMTECH® INFORMATION CALL 1-888-892-2694

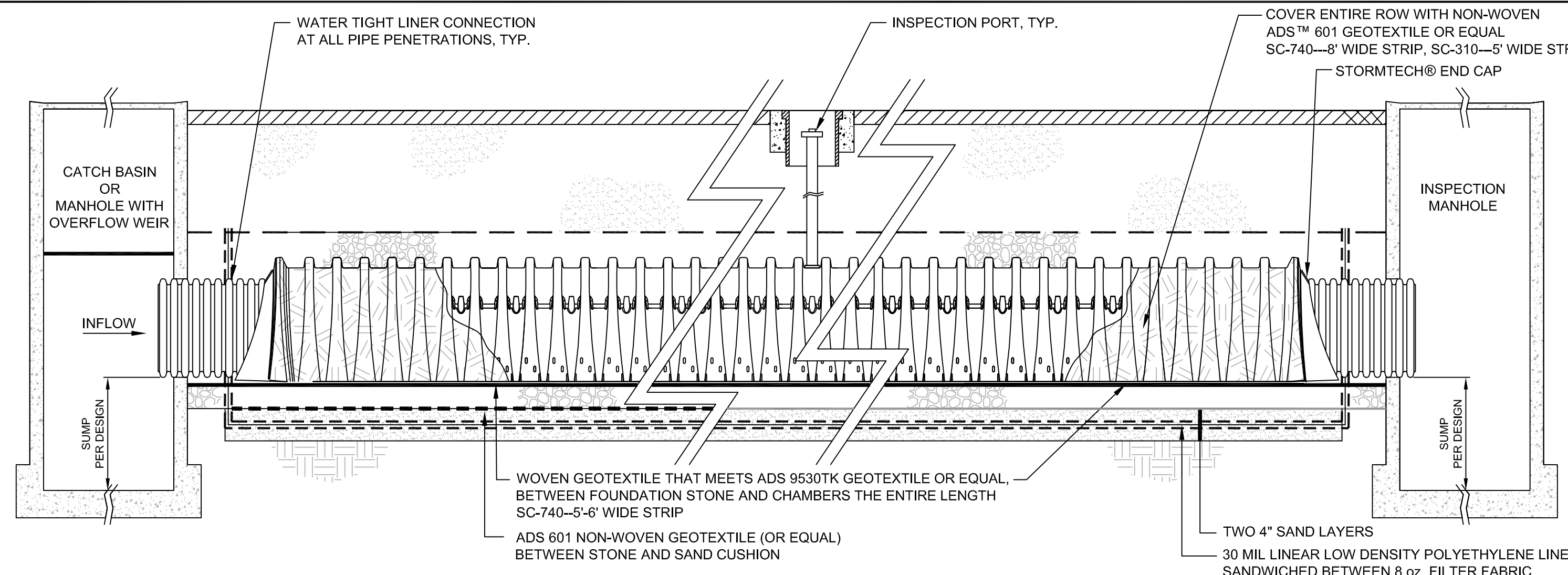
**ACCEPTABLE FILL MATERIALS
STORMTECH® SC-740™ CHAMBER SYSTEMS**

MATERIAL LOCATION	DESCRIPTION	AASHTO M43 DESIGNATION	AASHTO M145 DESIGNATION	COMPACTION/DENSITY REQUIREMENT
FILL MATERIAL FROM 18" TO GRADE ABOVE CHAMBERS	ANY SOIL/ROCK MATERIALS, NATIVE SOILS OR PER ENGINEER'S PLANS. CHECK PLANS FOR PAVEMENT SUBGRADE REQUIREMENTS.	N/A	N/A	PREPARE PER ENGINEER'S PLANS. PAVED INSTALLATIONS MAY HAVE STRINGENT MATERIAL AND PREPARATION REQUIREMENTS.
(C) FILL MATERIAL FOR 6" TO 18" ELEVATION ABOVE CHAMBERS (24" FOR UNPAVED INSTALLATIONS)	GRANULAR WELL-GRADED SOIL/AGGREGATE MIXTURES, <35% FINES.	3, 357, 4, 467, 5, 56, 57, 6, 67, 68, 7, 78, 8, 89, 9, 10	A-1 A-2 A-3	COMPACT IN 6" LIFTS TO A MINIMUM 95% STANDARD PROCTOR DENSITY. ROLLER GROSS VEHICLE WEIGHT NOT TO EXCEED 12,000 LBS. DYNAMIC FORCE NOT TO EXCEED 20,000 LBS.
(B) EMBEDMENT STONE SURROUNDING AND TO A 6" ELEVATION ABOVE CHAMBERS	WASHED ANGULAR STONE WITH THE MAJORITY OF PARTICLES BETWEEN 3/4 - 2 INCH	3, 357, 4, 467, 5, 56, 57	N/A	NO COMPACTION REQUIRED
(A) FOUNDATION STONE BELOW CHAMBERS	WASHED ANGULAR STONE WITH THE MAJORITY OF PARTICLES BETWEEN 3/4 - 2 INCH	3, 357, 4, 467, 5, 56, 57	N/A	PLATE COMPACT OR ROLL TO ACHIEVE A 95% STANDARD PROCTOR DENSITY

PLEASE NOTE: THE LISTED AASHTO DESIGNATIONS ARE FOR GRADATIONS ONLY. THE STONE MUST ALSO BE WASHED CRUSHED ANGULAR. FOR EXAMPLE, THE STONE MUST BE SPECIFIED AS WASHED, CRUSHED, ANGULAR NO. 4 STONE.

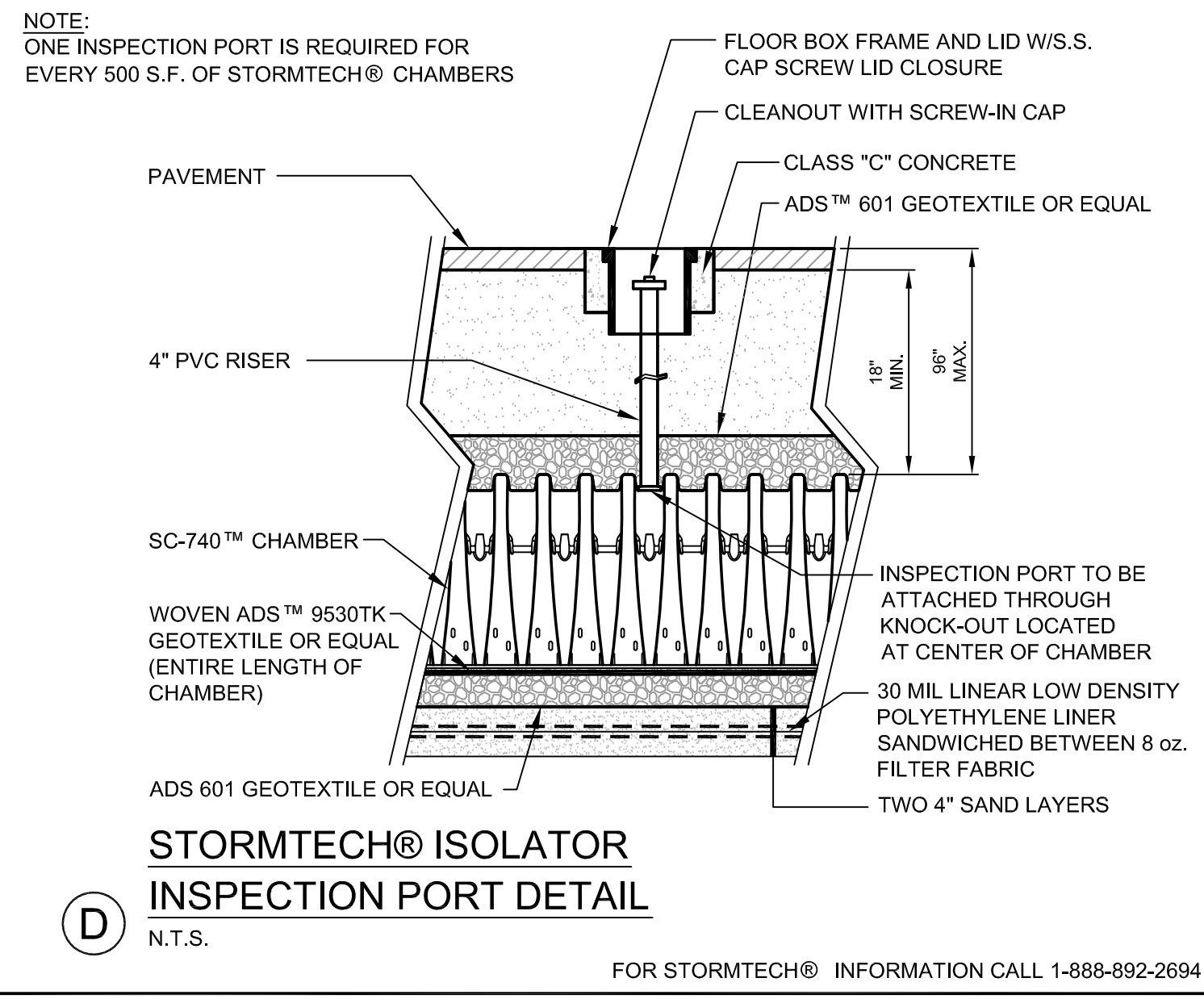
- NOTES:
- THE INSTALLATION OF STORMTECH® CHAMBERS SHALL BE IN ACCORDANCE WITH THE LATEST STORMTECH® INSTALLATION INSTRUCTIONS
 - THE CONTRACTOR IS ADVISED TO REVIEW AND UNDERSTAND THE INSTALLATION INSTRUCTIONS PRIOR TO BEGINNING SYSTEM INSTALLATION. CALL 1.888.892.2694 OR VISIT WWW.STORMTECH.COM TO RECEIVE A COPY OF THE LATEST STORMTECH® INSTALLATION INSTRUCTIONS.

(B) STORMTECH® ACCEPTABLE FILL MATERIALS
N.T.S.



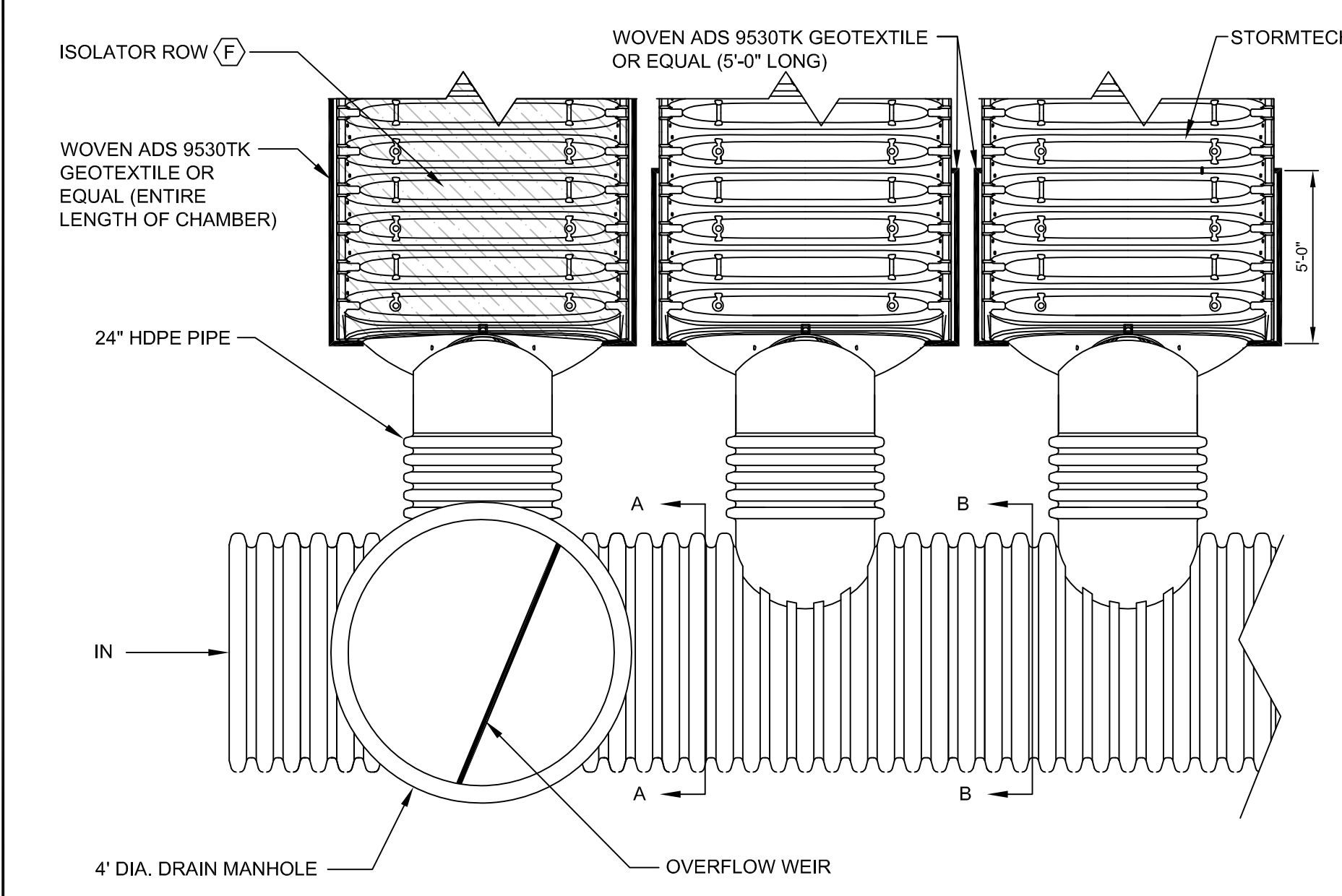
(C) STORMTECH® ISOLATOR ROW DETAIL
N.T.S.

FOR STORMTECH® INFORMATION CALL 1-888-892-2694

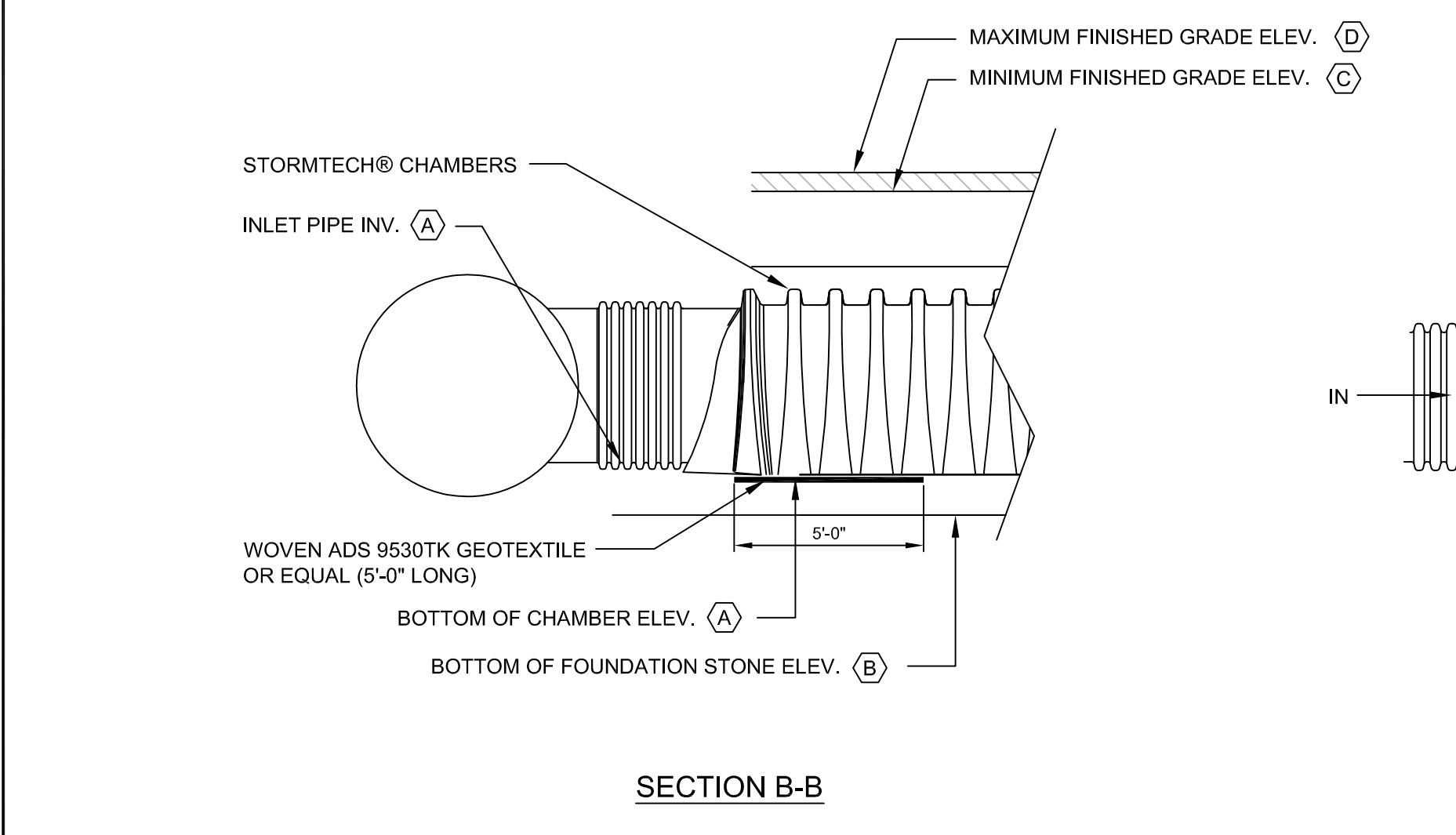


(D) STORMTECH® ISOLATOR INSPECTION PORT DETAIL
N.T.S.

FOR STORMTECH® INFORMATION CALL 1-888-892-2694

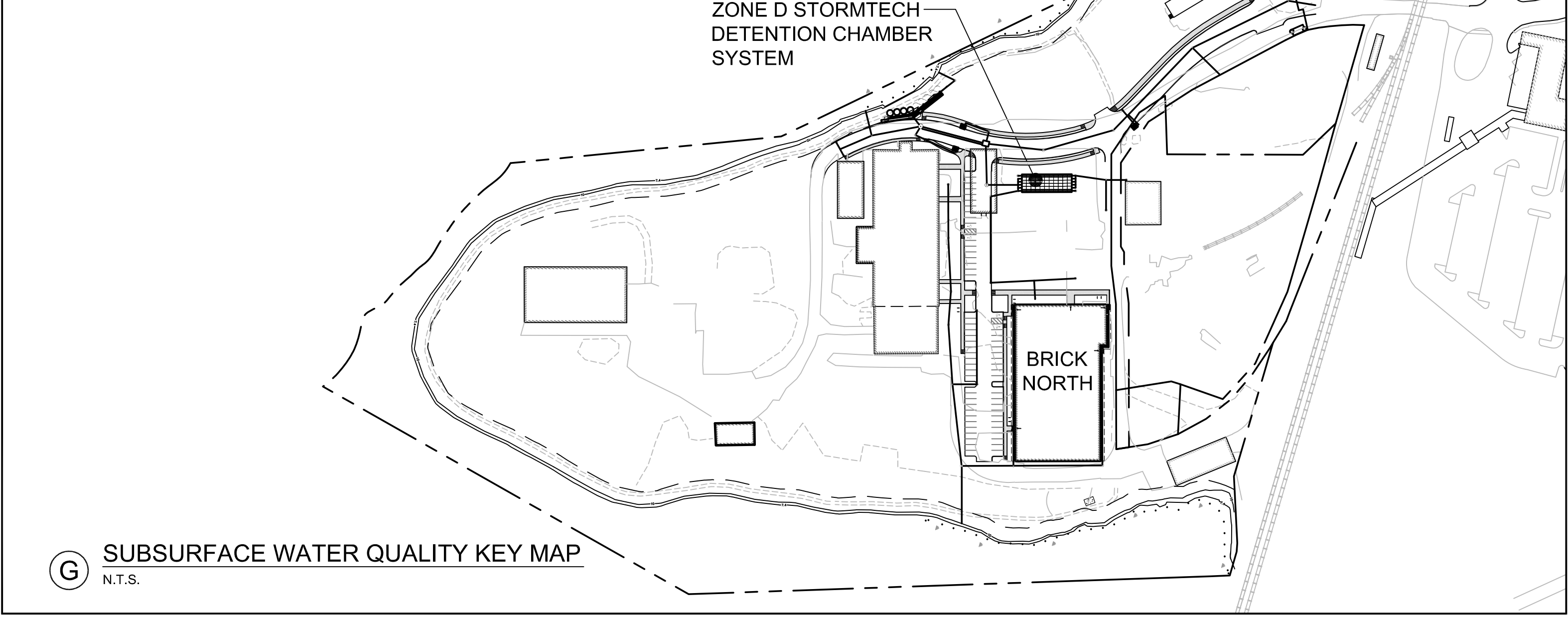


ITEM DESCRIPTION	ZONE D
(A) BOTTOM OF CHAMBERS	10.52
(B) BOTTOM OF FOUNDATION STONE	10.02
(C) APPROX. MIN. FINISHED GRADE ELEV.	16.40
(D) APPROX. MAX. FINISHED GRADE ELEV.	17.72
(E) WEIR PLATE ELEV.	13.02
(F) NUMBER OF ISOLATOR CHAMBERS	22 (2 ROWS)



(F) STORMTECH® ELEVATIONS
N.T.S.

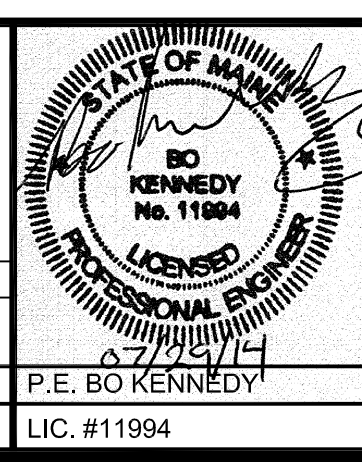
FOR STORMTECH® INFORMATION CALL 1-888-892-2694



(G) SUBSURFACE WATER QUALITY KEY MAP
N.T.S.

PRELIMINARY - NOT FOR CONSTRUCTION

REV	DATE	DESCRIPTION
2	07.29.14	REVISED PHASE 1A SITE PLAN SUBMITTED TO CITY
1	06.30.14	AMENDED PHASE 1A SITE PLAN SUBMITTED TO CITY



PROJECT: BRICK NORTH BUILDING AT THE FOREFRONT AT THOMPSON'S POINT
SHEET TITLE: STORMWATER DETAILS STORMTREAT™ WATER QUALITY VOLUME STORAGE DETAILS
CLIENT: FOREFRONT PARTNERS | LP

FST FAY, SPOFFORD & THORNDIKE
ENGINEERS - PLANNERS - SCIENTISTS
778 MAIN ST., SUITE 8, SOUTH PORTLAND, ME 04106
DRAWN: DED DATE: JUNE 2014
DESIGNED: BEK SCALE: N.T.S.
CHECKED: SRB JOB NO. 2982.05
FILE NAME: 2982.05-BN-DET
SHEET: C-7.1