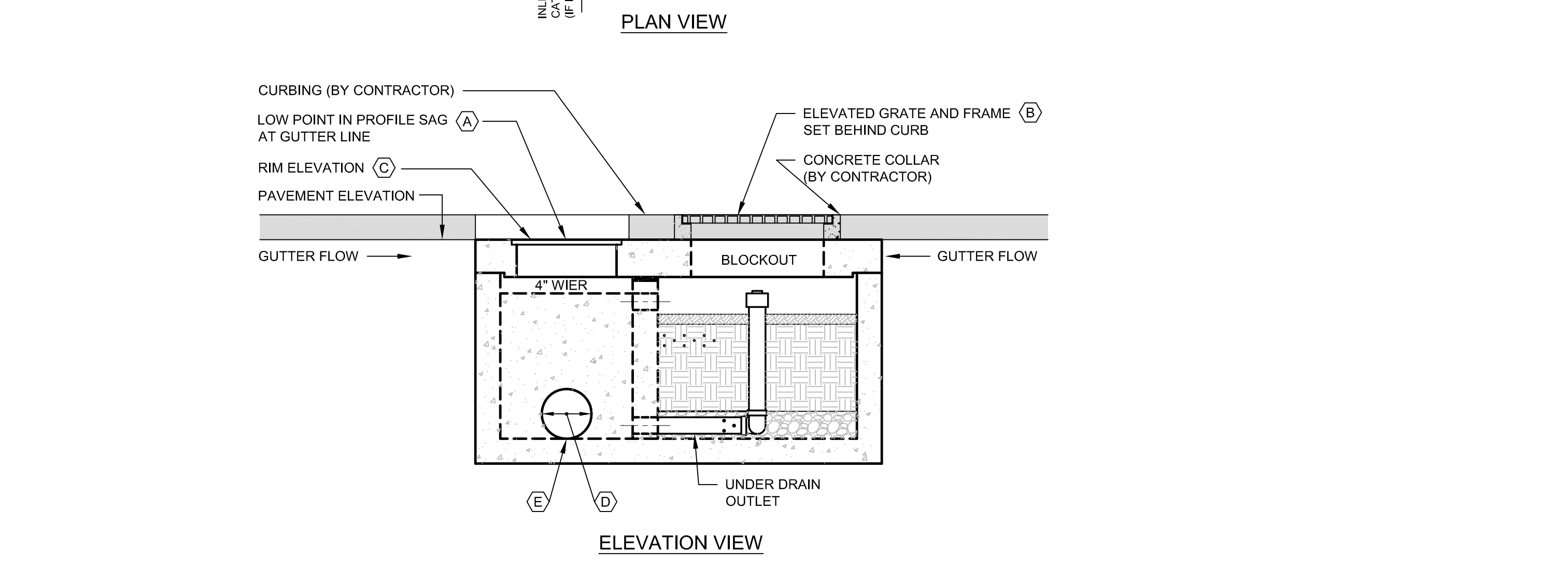
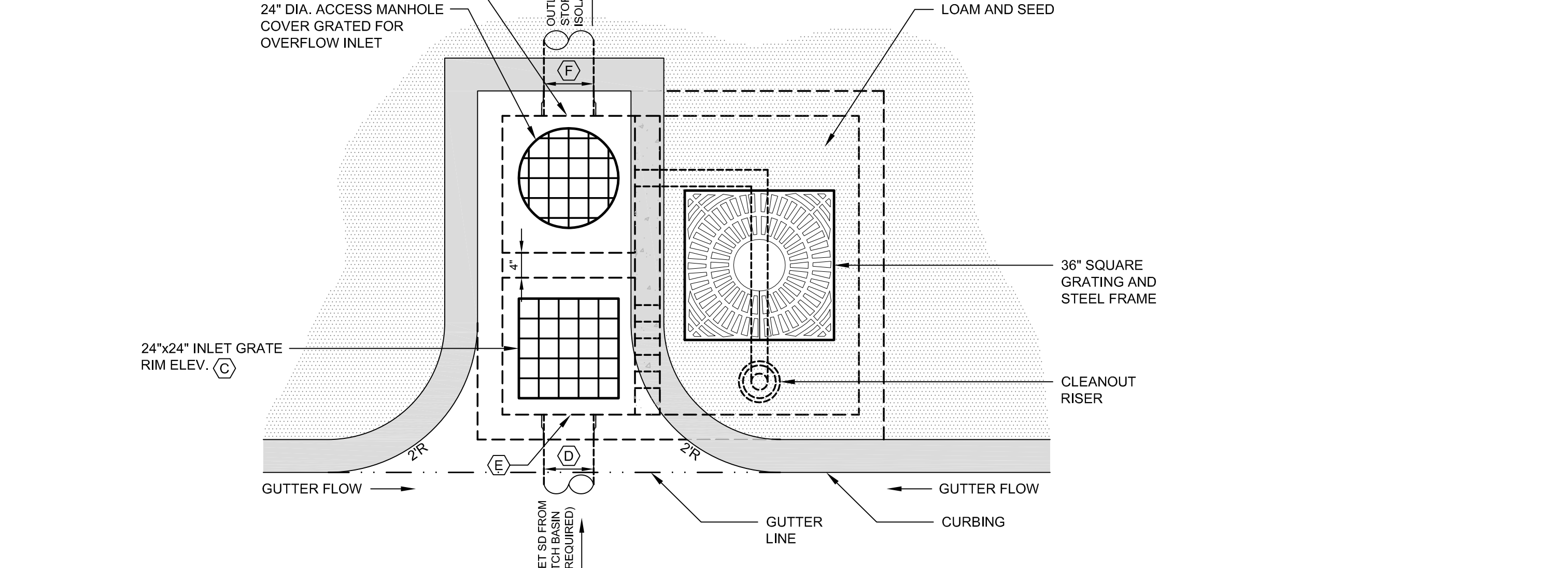
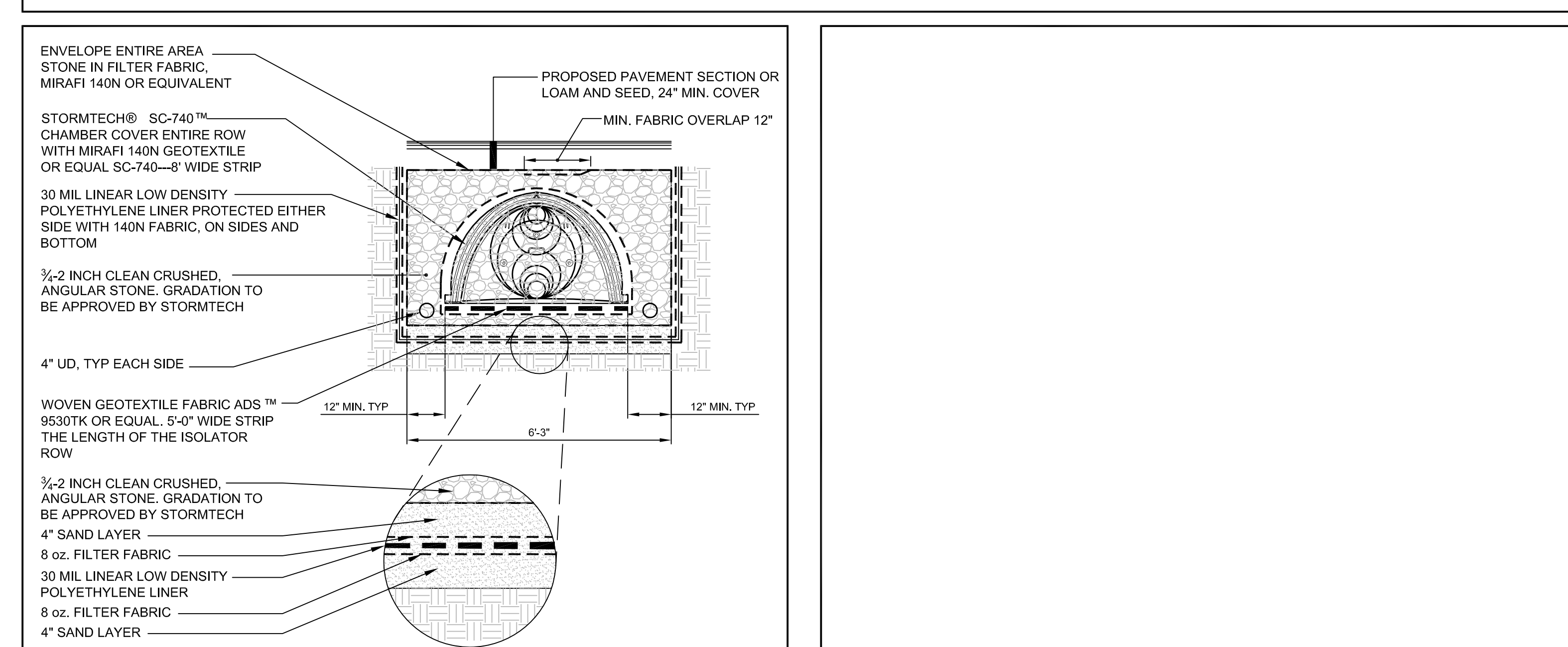
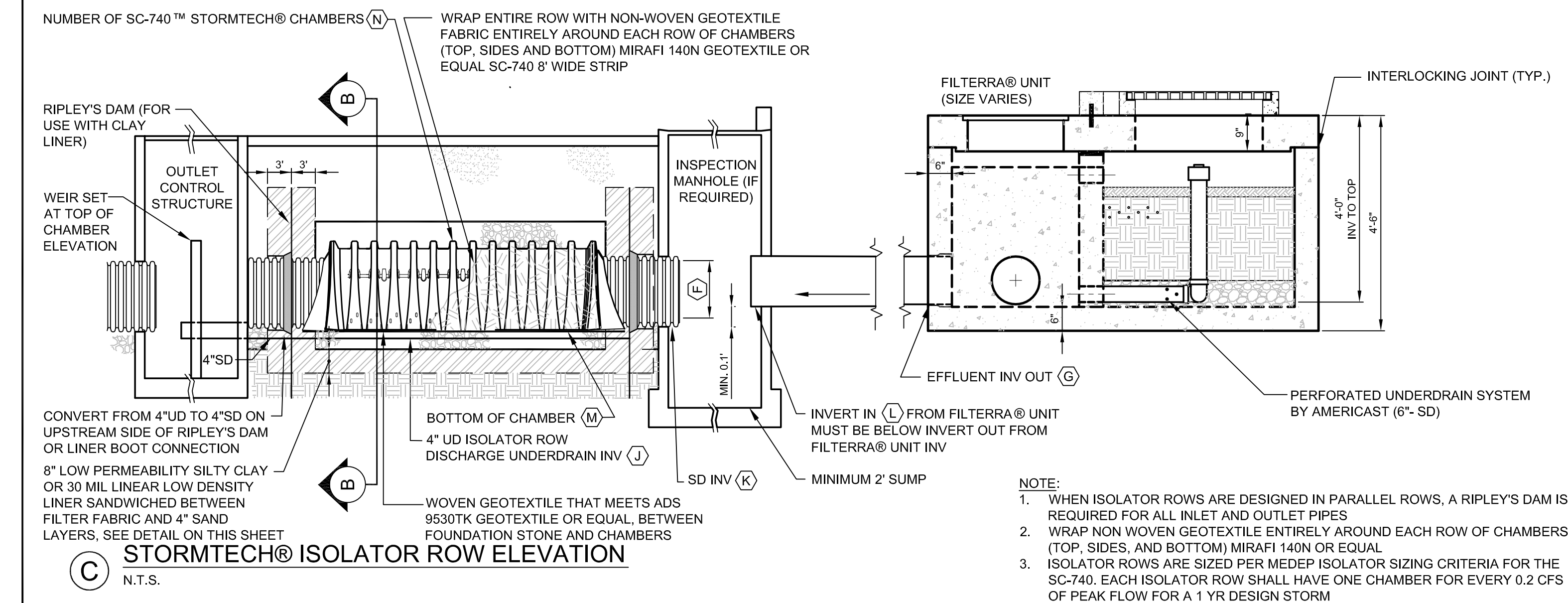


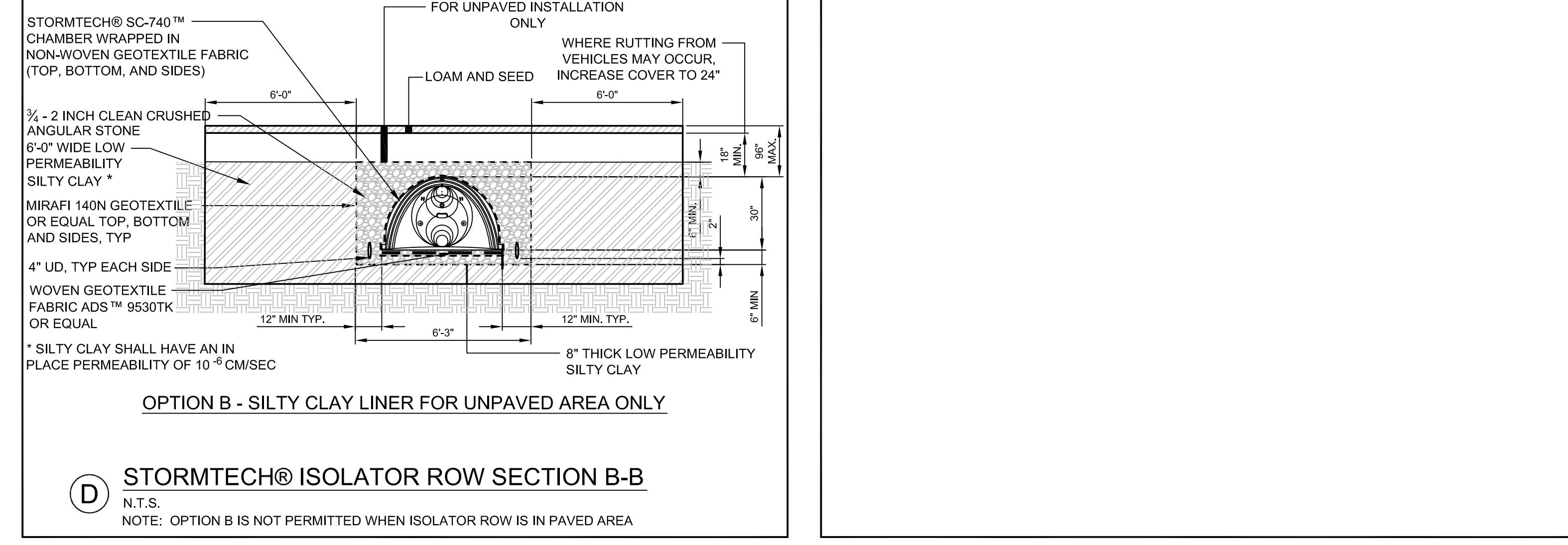
(A) MODIFIED PRECAST FILTERRA® WITH GRATED INLET CONFIGURATION
N.T.S.



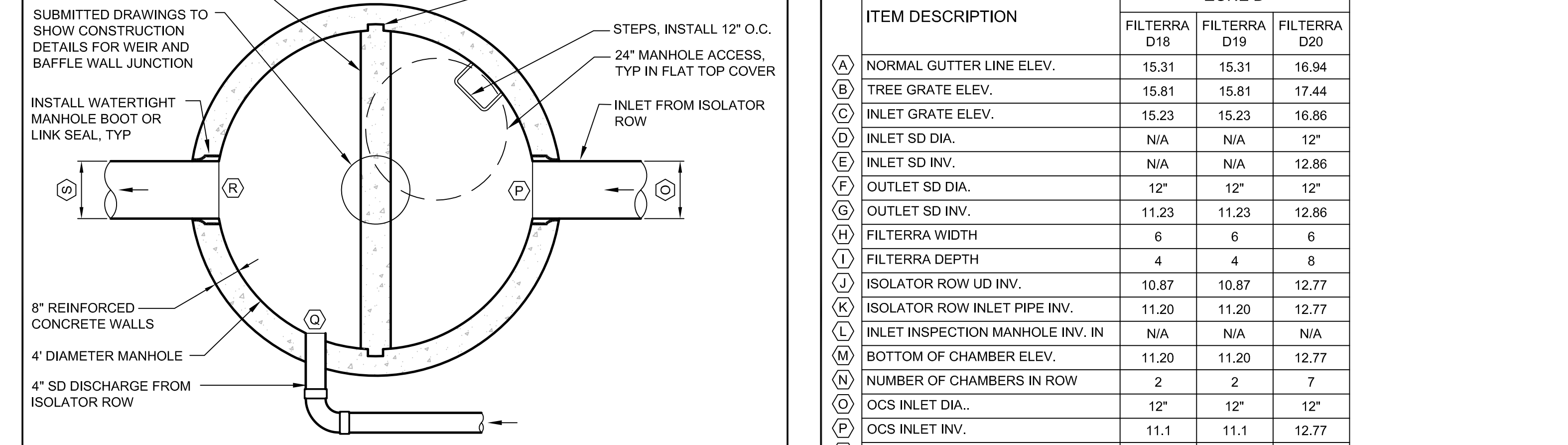
(B) FILTERRA® UNIT SET OFF-LINE WITH NORMAL GUTTER FLOW
N.T.S.



(C) STORMTECH® ISOLATOR ROW SECTION B-B
N.T.S.



(D) STORMTECH® ISOLATOR ROW SECTION B-B
N.T.S.



(E) 4' DIA. PRECAST OUTLET CONTROL STRUCTURE
N.T.S.

FILTERRA® UNIT AND STORMTECH® ISOLATOR ROW SCHEDULE			
ITEM DESCRIPTION	ZONE D		
	FILTERRA D18	FILTERRA D19	FILTERRA D20
(A) NORMAL GUTTER LINE ELEV.	15.31	15.31	16.94
(B) TREE GRATE ELEV.	15.81	15.81	17.44
(C) INLET GRATE ELEV.	15.23	15.23	16.86
(D) INLET SD DIA.	N/A	N/A	12"
(E) INLET SD INV.	N/A	N/A	12.86
(F) OUTLET SD DIA.	12"	12"	12"
(G) OUTLET SD INV.	11.23	11.23	12.86
(H) FILTERRA WIDTH	6	6	6
(I) FILTERRA DEPTH	4	4	8
(J) ISOLATOR ROW UD INV.	10.87	10.87	12.77
(K) ISOLATOR ROW INLET PIPE INV.	11.20	11.20	12.77
(L) INLET INSPECTION MANHOLE INV. IN	N/A	N/A	N/A
(M) BOTTOM OF CHAMBER ELEV.	11.20	11.20	12.77
(N) NUMBER OF CHAMBERS IN ROW	2	2	7
(O) OCS INLET DIA.	12"	12"	12"
(P) OCS INLET INV.	11.1	11.1	12.77
(Q) OCS UD INLET INV.	10.87	10.87	12.77
(R) OCS OUTLET INV.	10.87	10.77	12.67
(S) OCS OUTLET DIA.	12"	12"	12"

NOTE:
THE APPLICANT RESERVES THE RIGHT TO OFFER AN 'OR EQUAL' ALTERNATIVE TO THE FILTERRA® UNIT, SUBJECT TO REVIEW AND APPROVAL BY THE CITY OF PORTLAND REPRESENTATIVES

PRELIMINARY - NOT FOR CONSTRUCTION

	PROJECT: BRICK NORTH BUILDING AT THE FOREFRONT AT THOMPSON'S POINT SHEET TITLE: STORMWATER DETAILS CLIENT: FOREFRONT PARTNERS LP		DATE: JUNE 2014 SCALE: N.T.S. JOB NO.: 2982.05 SHEET: C-7.2
1 06.30.14 AMENDED PHASE 1A SITE PLAN SUBMITTED TO CITY REV DATE DESCRIPTION REVISIONS	P.E. BO KENNEDY LIC. #11984	FILE NAME: 2982.05-BN-DET	