

Project Name: **BRICKYAARD EAST FIT UP**

Unit Model #: **ZJ120S20V2KZZ70004**

Quantity: **2** Tag #: **HVAC-1A,AB**

System: **ZJ120S20V2KZZ70004 (2), VP020A12H2AM11 (2)**

Cooling Performance

Total capacity	124.0 MBH
Sensible capacity	84.3 MBH
Refrigerant type	R-410A
Efficiency (at ARI)	12.00 EER
Integrated eff. (at ARI)	12.80 IEER
Ambient DB temp.	95.0 °F
Entering DB temp.	83.7 °F
Entering WB temp.	68.6 °F
Leaving DB temp.	57.7 °F
Leaving WB temp.	55.6 °F
Part load efficiency	13.4 IPLV
Power input (w/o blower)	8.93 kW
Sound power	90 dB(A)

Gas Heating Performance

Entering DB temp.	62.5 °F
Heating output capacity (Max)	192 MBH
Supply air	3005 CFM
Heating input capacity (Max)	240 MBH
Leaving DB temp.	121.7 °F
Air temp. rise	59.2 °F
SSE	80.0 %
Stages	2

Supply Air Blower Performance

Supply air	3005 CFM
Ext. static pressure	0.75 IWG
Addl. Unit Losses (Options/Accessories)	0.02 IWG
Blower speed	917 RPM
Max BHP of Motor (including service factor)	3.45 HP
Duct location	Bottom
Motor rating	3.00 HP
Actual required BHP	1.54 HP
Power input	1.43 kW
Elevation	0 ft.
Drive type	BELT

Outside/Mixed Air

Outside Air Cfm	1649 CFM
-----------------	----------

Electrical Data

Power supply	230-3-60
Unit min circuit ampacity	51.7 Amps
Unit max over-current protection	60 Amps

Dimensions & Weight

Hgt	51 in.	Len	89 in.	Wth	59 in.
Weight with factory installed options	1275 lbs.				

Clearances

Right	12 in.	Front	36 in.	Back	36 in.
Top	72 in.	Bottom	0 in.	Left	36 in.

Note: Please refer to the tech guide for listed maximum static pressures



10 Ton

- York Predator units are manufactured at an ISO 9001 registered facility and each rooftop is completely computer-run tested prior to shipment.

Unit Features

- Through-the-Curb and Through-the-Base Utility Connections
- Full perimeter base rails with built in rigging capabilities
- Hinged Access Panels
- Slide-Out Stainless Steel Drain Pan
- Scroll Compressors
- Two Stage Cooling
- Solid Core Liquid Line Filter Driers
- Microchannel Condenser Coil
- 192 MBH Output Stainless Steel, Two Stage Gas Heat
- Unit Ships with 2" Throwaway Filters with a Standard Filter Rack that will Accept up to 4" Filters
- Replacement Filters: 4 - (24" x 20"). Unit accepts 2" or 4" wide filters.
- Single Point Power Connection
- HACR Circuit Breaker/Disconnect (Sized for 208 Volts)
- Non-Powered Convenience Outlet
- Phase Monitor
- Return Air Smoke Detector
- Dry Bulb Low Leak Economizer w/Barometric Relief and Hoods (Bottom or Horizontal End Return Only)
- Short Circuit Current: 5kA RMS Symmetrical

Standard Unit Controller: Simplicity Control Board

- Safety Monitoring - Monitors the high and low-pressure switches, the freezestats, the gas valve, if applicable, and the temperature limit switch on gas and electric heat units. The unit control board will alarm on ignition failures, safety lockouts and repeated limit switch trips.

BAS Controller

- Simplicity SE Controller with Discharge Air, Return Air, and Outside Air Sensor
- IntelliSpeed control of the VFD based on stages of cooling. Provides Single Zone VAV Fan Operation as defined by ASHRAE 90.1 section 6.4.3.10.

Warranty

- One (1) Year Limited Warranty on the Complete Unit
- Five (5) Year Warranty - Compressors
- Fifteen (15) Year Warranty on Stainless Steel Heat Exchanger

Project Name: **BRICKYAARD EAST FIT UP**

 Unit Model #: **ZJ120S20V2KZZ70004**

 Quantity: **2** Tag #: **HVAC-1A,AB**

 System: **ZJ120S20V2KZZ70004 (2), VP020A12H2AM11 (2)**
Net Outside Air

CFM	1500
Cooling DB (°F)	95.00
Cooling Wetbulb (°F)	75.00
Heating Drybulb (°F)	-10.00

1 - Outside Air + Exhaust Air Transfer

CFM	1649
Cooling DB (°F)	86.47
Cooling Wetbulb (°F)	70.40
Heating Drybulb (°F)	37.67

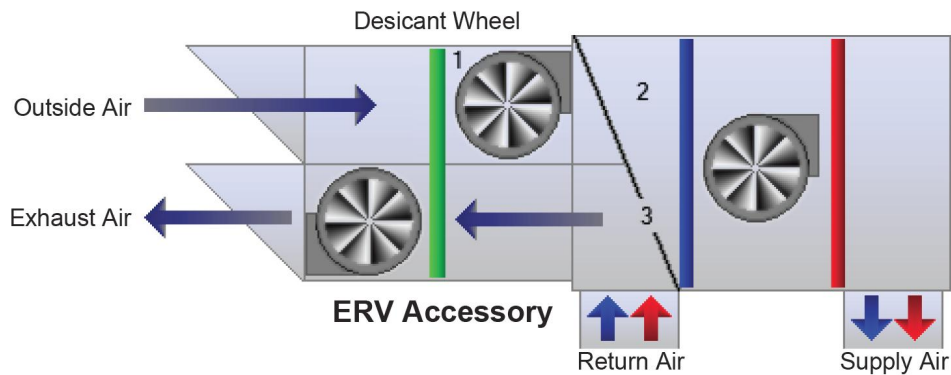
2 - Mixed Air

CFM	3005
Cooling DB (°F)	83.66
Cooling Wetbulb (°F)	68.59
Heating Drybulb (°F)	52.26

Altitude (ft)	0
Net Exhaust Air (CFM)	1000

3 - Balancing Damper

CFM	1356
-----	------


Load Reduction

Summer (Tons)	2.11
Winter (MBH)	85.32

Return Air

CFM	2505
Cooling Drybulb (°F)	80.57
Cooling Wetbulb (°F)	66.51
Heating Drybulb (°F)	70.00

Electrical Data

Voltage	--
Max. Fuse or Breaker Size (Amps)	15
Ampacity (Amps)	11.40



Predator Simplicity SE

Single Package R-410A Air Conditioner

Project Name: **BRICKYAARD EAST FIT UP**

Unit Model #: **ZJ120S20V2KZZ70004**

Quantity: **2** Tag #: **HVAC-1A,AB**

System: **ZJ120S20V2KZZ70004 (2), VP020A12H2AM11 (2)**

Factory Installed Options

ZJ120S20V2KZZ70004

Product Category:	Z	York Predator Single Packaged R-410A Air Conditioner
Product Identifier:	J	12.0 EER / 12.8 IEER
Nominal Cooling Capacity:	120	10 Ton Two Stage Cooling
Heat Type and Nominal Heat Capacity:	S20	192 MBH Output Stainless Steel, Two Stage Gas Heat
Airflow:	V	3 HP High Static Belt Drive Blower Dry Bulb Low Leak Economizer w/Barometric Relief and Hoods (Bottom or Horizontal End Return Only)
Voltage:	2	208/230-3-60
Installation Options:	K	HACR Circuit Breaker/Disconnect (Sized for 208 Volts) Return Air Smoke Detector (Bottom return only) Non Powered Convenience Outlet
Additional Options:	ZZ	2" Throwaway Filters Microchannel Condenser Coil Phase Monitor Simplicity® SE Controller with Discharge Air, Return Air, and Outside Air Sensor Stainless Steel Drain Pan IntelliSpeed control of the VFD based on stages of cooling (Provides Single Zone VAV Fan Operation as defined by ASHRAE 90.1 section 6.4.3.10)
Product Generation:	7	

Field Installed Accessories

- 1ES0402 - Equipment Support 48" Long x 8" Tall (30.0 lbs)
- 1RC0476 - Roof Curb - 24" High, Flat, Uninsulated, Full Perimeter (Shipped Knocked Down) (135.0 lbs)
- 2EC0402 - Kit, Dual Enthalpy Field Installed (Includes both an Outdoor Air Enthalpy Sensor and a Return Air Enthalpy/Humidity Sensor) (1.0 lbs)
- S1-02815208000 - Blower Sheave for 8.5 and 10 Ton High Static Field Installed Drive (3.0 lbs)
- S1-A52 - Belt for 8.5 and 10 Ton High Static Field Installed Drive (0.4 lbs)

Project Name: **BRICKYAARD EAST FIT UP**

Unit Model #: **ZJ120S20V2KZZ70004**

Quantity: **2** Tag #: **HVAC-1A,AB**

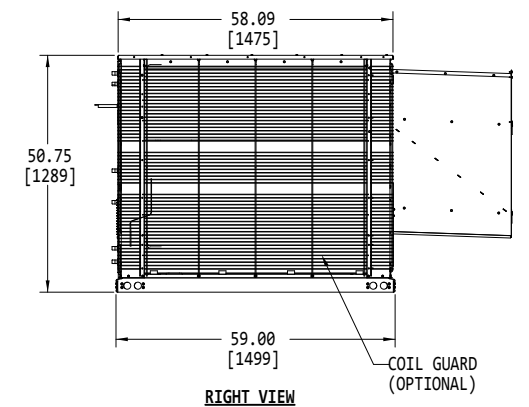
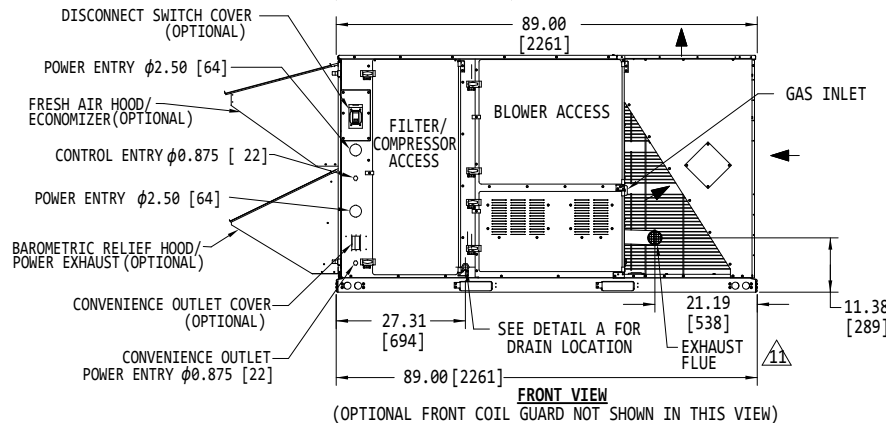
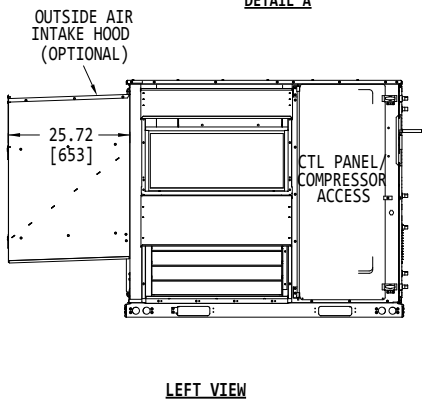
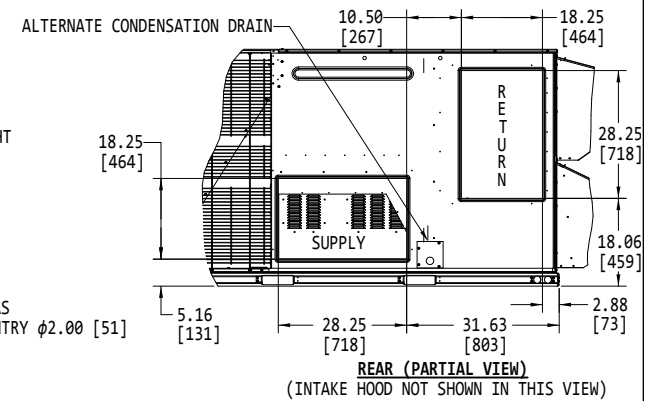
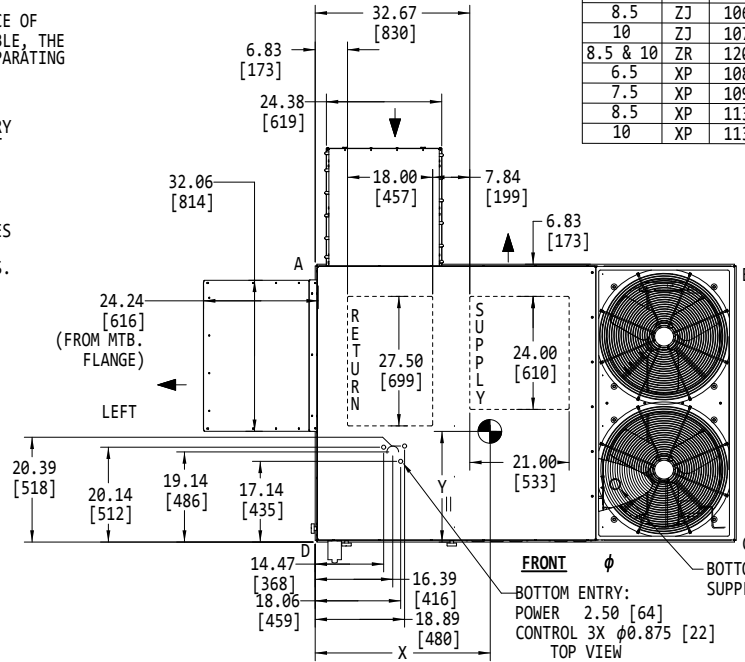
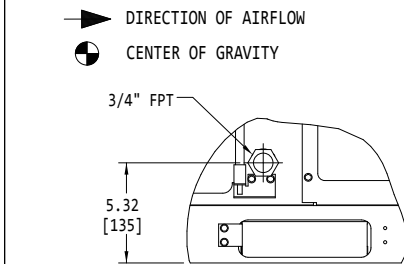
System: **ZJ120S20V2KZZ70004 (2), VP020A12H2AM11 (2)**

Consolidated Drawing

NOTES:

1. FOR OUTDOOR USE ONLY.
2. WEIGHTS SHOWN ARE FOR COOLING ONLY UNITS.
3. MIN. CLEARANCES TO BE:
 RIGHT SIDE: 12 [305]
 LEFT SIDE: 36 [915]
 FRONT: 36 [915]
 REAR: 36 [915]
 TOP: 72 [1830]
 BOTTOM: 0 [0]
4. TO REMOVE THE SLIDE-OUT DRAIN PAN, A REAR CLEARANCE OF 60 in (1525 mm) IS REQUIRED. IF SPACE IS UNAVAILABLE, THE DRAIN PAN CAN BE REMOVED THROUGH THE FRONT BY SEPARATING THE CORNER WALL.
5. FOR SMALLER SERVICE AND OPERATIONAL CLEARANCES CONTACT YOUR APPLICATION ENGINEERING DEPARTMENT.
6. DOWNFLOW DUCTS DESIGNED TO BE ATTACHED TO ACCESSORY ROOF CURB ONLY. IF UNIT IS MOUNTED SIDE SUPPLY, IT IS RECOMMENDED THAT THE DUCTS ARE SUPPORTED BY CROSS BRACES, AS DONE ON ACCESSORY ROOF CURBS.
7. SIDE DUCT FLANGES ARE 0.75" HIGH. BOTTOM DUCTS DO NOT HAVE FLANGES.
8. MINIMUM CONDENSATION TRAP HEIGHT SHALL BE 1.5 TIMES THE LOWEST NEGATIVE STATIC.
9. DIMENSIONS IN [] ARE IN MILLIMETERS OR KILOGRAMS.
10. OPTIONAL COIL GUARDS, POWER EXHAUST, GAS HEAT, ECONOMIZER, DISCONNECT SWITCH, CONVENIENCE OUTLET, AND BAROMETRIC RELIEF AND FRESH AIR HOODS SHOWN. EXCEPT XP (HEAT PUMP) UNITS.

TONNAGE	UNIT	OPERATING WEIGHT (LBS) (BASE UNIT)	CENTER OF GRAVITY LOCATION (BASE UNIT)		4 POINT CORNER LOADS (LBS) (BASE UNIT)			
			X	Y	A	B	C	D
8.5	ZF	1007 [458]	38 [965]	24 [610]	235 [107]	175 [79]	255 [116]	342 [155]
10	ZF	1103 [501]	38 [965]	24 [610]	257 [117]	192 [87]	279 [127]	375 [170]
8.5	ZH	1030 [467]	38 [965]	24 [610]	240 [109]	179 [81]	261 [118]	350 [159]
10	ZH	1090 [494]	38 [965]	24 [610]	254 [115]	189 [86]	276 [125]	371 [168]
6.5	ZJ	1030 [467]	39 [991]	25 [635]	245 [111]	191 [87]	260 [118]	333 [151]
7.5	ZJ	1050 [476]	39 [991]	25 [635]	250 [113]	195 [89]	265 [120]	340 [154]
8.5	ZJ	1060 [481]	38 [965]	24 [610]	247 [112]	184 [84]	268 [122]	360 [163]
10	ZJ	1070 [485]	39 [991]	24 [610]	245 [111]	191 [87]	278 [126]	357 [162]
8.5 & 10	ZR	1200 [544]	38 [965]	25.5 [648]	297 [135]	221 [100]	291 [132]	390 [177]
6.5	XP	1080 [490]	38 [965]	25 [635]	262 [119]	195 [89]	266 [121]	357 [162]
7.5	XP	1090 [494]	38 [965]	23 [584]	243 [110]	181 [82]	284 [129]	381 [173]
8.5	XP	1137 [516]	38 [965]	25.5 [648]	282 [128]	210 [95]	276 [125]	370 [168]
10	XP	1135 [515]	38 [965]	25.5 [648]	281 [127]	209 [95]	275 [125]	369 [167]



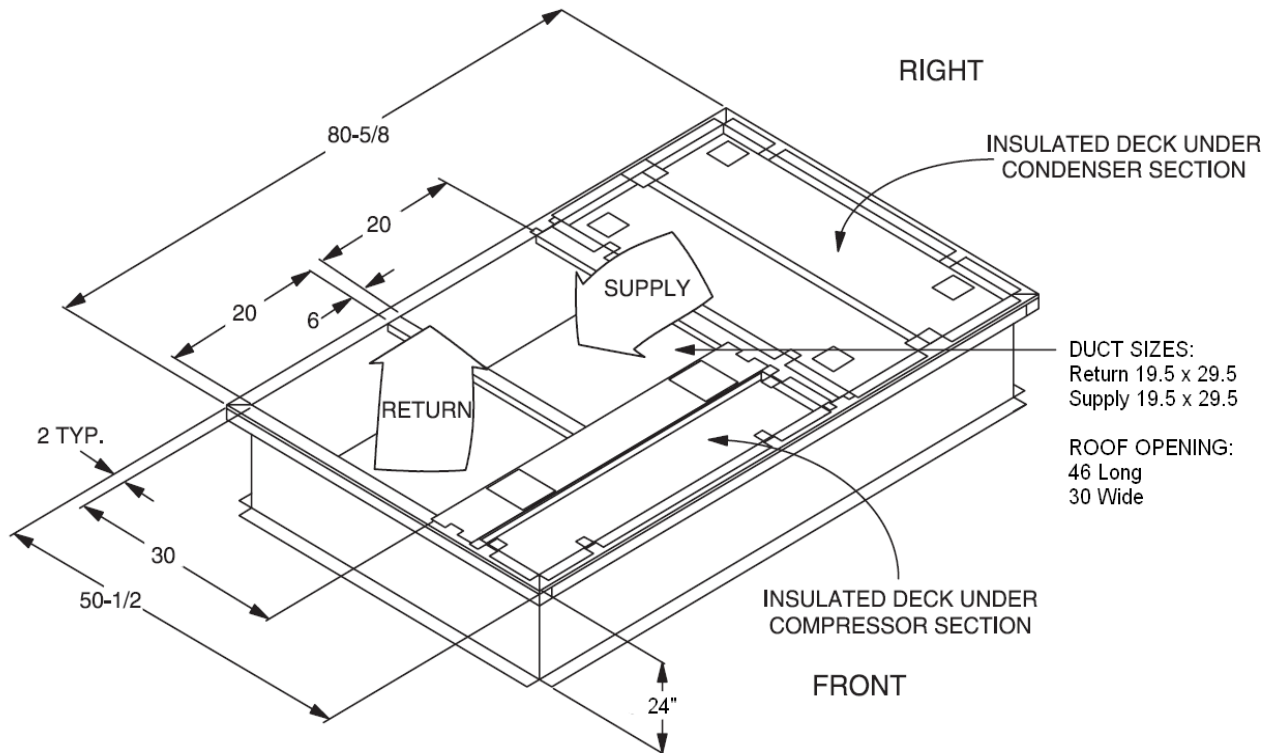
Project Name: **BRICKYAARD EAST FIT UP**

Unit Model #: **ZJ120S20V2KZZ70004**

Quantity: **2** Tag #: **HVAC-1A,AB**

System: **ZJ120S20V2KZZ70004 (2), VP020A12H2AM11 (2)**

1RC0476 Roof Curb



* Supply and Return Air (Including duct support rails) as shown, are typical for bottom duct applications.
For location of horizontal duct applications (On rear of unit), refer to Unit Dimensions details.

1RC0476 ROOF CURB DIMENSIONS

Project Name: **BRICKYARD EAST**

Unit Model #: **ZJ120S20V2MZZ7**

Quantity: **2** Tag #: **HVAC-2A, 2B**

System: **ZJ120S20V2MZZ7 (2), VP028A12M2AM41 (2)**

Cooling Performance

Total capacity	132.8 MBH
Sensible capacity	96.6 MBH
Refrigerant type	R-410A
Efficiency (at ARI)	12.00 EER
Integrated eff. (at ARI)	12.80 IEER
Ambient DB temp.	95.0 °F
Entering DB temp.	81.3 °F
Entering WB temp.	68.0 °F
Leaving DB temp.	59.4 °F
Leaving WB temp.	58.0 °F
Part load efficiency	13.4 IPLV
Power input (w/o blower)	9.00 kW
Sound power	90 dB(A)

Gas Heating Performance

Entering DB temp.	59.3 °F
Heating output capacity (Max)	192 MBH
Supply air	4100 CFM
Heating input capacity (Max)	240 MBH
Leaving DB temp.	102.7 °F
Air temp. rise	43.4 °F
SSE	80.0 %
Stages	2

Supply Air Blower Performance

Supply air	4100 CFM
Ext. static pressure	0.75 IWG
Unit static resistance	0.43 IWG
Blower speed	1201 RPM
Max BHP of Motor (including service factor)	3.45 HP
Duct location	Bottom
Motor rating	3.00 HP
Actual required BHP	3.08 HP
Power input	2.87 kW
Elevation	0 ft.
Drive type	BELT
Requires field-supplied drive	true

Outside/Mixed Air

Outside Air Cfm	1675 CFM
-----------------	----------

Electrical Data

Power supply	230-3-60
Unit min circuit ampacity	51.7 Amps
Unit max over-current protection	60 Amps

Dimensions & Weight

Hgt	51 in.	Len	89 in.	Wth	59 in.
Weight with factory installed options	1275 lbs.				

Clearances

Right	12 in.	Front	36 in.	Back	36 in.
Top	72 in.	Bottom	0 in.	Left	36 in.

Note: Please refer to the tech guide for listed maximum static pressures



10 Ton

- York Predator units are manufactured at an ISO 9001 registered facility and each rooftop is completely computer-run tested prior to shipment.

Unit Features

- Through-the-Curb and Through-the-Base Utility Connections
- Full perimeter base rails with built in rigging capabilities
- Hinged Access Panels
- Slide-Out Stainless Steel Drain Pan
- Scroll Compressors
- Two Stage Cooling
- Solid Core Liquid Line Filter Driers
- Microchannel Condenser Coil
- 192 MBH Output Stainless Steel, Two Stage Gas Heat
- Unit Ships with 4" Pleated Filters (MERV 13)
- Replacement Filters: 4 - (24" x 20"). Unit accepts 2" or 4" wide filters.
- Single Point Power Connection
- HACR Circuit Breaker/Disconnect (Sized for 208 Volts)
- Non-Powered Convenience Outlet
- Phase Monitor
- Phase Monitor
- Return & Supply Air Smoke Detectors
- Dry Bulb Low Leak Economizer w/Barometric Relief and Hoods (Bottom or Horizontal End Return Only)
- Short Circuit Current: 5kA RMS Symmetrical

Standard Unit Controller: Simplicity Control Board

- Safety Monitoring - Monitors the high and low-pressure switches, the freestats, the gas valve, if applicable, and the temperature limit switch on gas and electric heat units. The unit control board will alarm on ignition failures, safety lockouts and repeated limit switch trips.

BAS Controller

- IntelliSpeed control of the VFD based on stages of cooling. Provides Single Zone VAV Fan Operation as defined by ASHRAE 90.1 section 6.4.3.10.
- Simplicity SE Controller with Discharge Air, Return Air, and Outside Air Sensor

Warranty

- One (1) Year Limited Warranty on the Complete Unit
- Five (5) Year Warranty - Compressors
- Fifteen (15) Year Warranty on Stainless Steel Heat Exchanger

Project Name: **BRICKYARD EAST**

 Unit Model #: **ZJ120S20V2MZZ7**

 Quantity: **2** Tag #: **HVAC-2A, 2B**

 System: **ZJ120S20V2MZZ7 (2), VP028A12M2AM41 (2)**
Net Outside Air

CFM	1525
Cooling DB (°F)	95.00
Cooling Wetbulb (°F)	75.00
Heating Drybulb (°F)	-10.00

1 - Outside Air + Exhaust Air Transfer

CFM	1675
Cooling DB (°F)	83.66
Cooling Wetbulb (°F)	69.46
Heating Drybulb (°F)	46.77

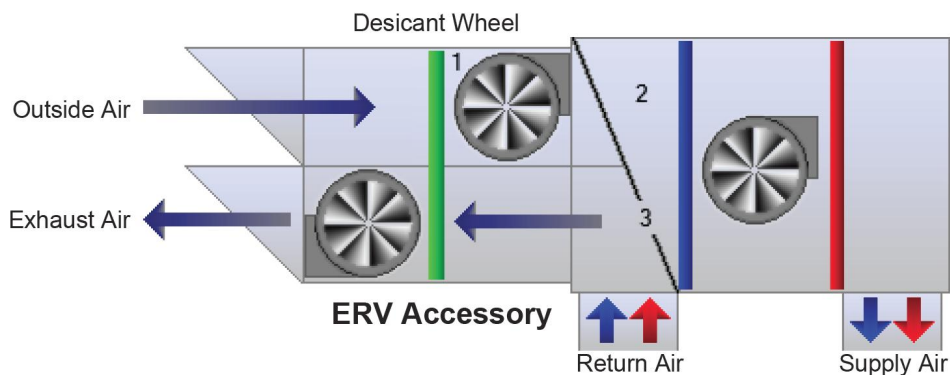
2 - Mixed Air

CFM	4100
Cooling DB (°F)	81.26
Cooling Wetbulb (°F)	68.02
Heating Drybulb (°F)	59.33

Altitude (ft)	0
Net Exhaust Air (CFM)	1300

3 - Balancing Damper

CFM	2425
-----	------


Load Reduction

Summer (Tons)	2.63
Winter (MBH)	108.98

Return Air

CFM	3875
Cooling Drybulb (°F)	79.60
Cooling Wetbulb (°F)	67.00
Heating Drybulb (°F)	68.00

Electrical Data

Voltage	--
Max. Fuse or Breaker Size (Amps)	25
Ampacity (Amps)	18.00



Project Name: **BRICKYARD EAST**

Unit Model #: **ZJ120S20V2MZZ7**

Quantity: **2** Tag #: **HVAC-2A, 2B**

System: **ZJ120S20V2MZZ7 (2), VP028A12M2AM41 (2)**

Factory Installed Options

ZJ120S20V2MZZ7

Product Category:	Z	York Predator Single Packaged R-410A Air Conditioner
Product Identifier:	J	12.0 EER / 12.8 IEER
Nominal Cooling Capacity:	120	10 Ton Two Stage Cooling
Heat Type and Nominal Heat Capacity:	S20	192 MBH Output Stainless Steel, Two Stage Gas Heat
Airflow:	V	3 HP High Static Belt Drive Blower Dry Bulb Low Leak Economizer w/Barometric Relief and Hoods (Bottom or Horizontal End Return Only)
Voltage:	2	208/230-3-60
Installation Options:	M	HACR Circuit Breaker/Disconnect (Sized for 208 Volts) Return & Supply Air Smoke Detectors (Bottom return only) Non Powered Convenience Outlet
Additional Options:	ZZ	4" Pleated Filters (MERV 13) Microchannel Condenser Coil Phase Monitor Simplicity® SE Controller with Discharge Air, Return Air, and Outside Air Sensor Stainless Steel Drain Pan IntelliSpeed control of the VFD based on stages of cooling (Provides Single Zone VAV Fan Operation as defined by ASHRAE 90.1 section 6.4.3.10)
Product Generation:	7	

Field Installed Accessories

- 1ES0402 - Equipment Support 48" Long x 8" Tall (30.0 lbs)
- 1RC0476 - Roof Curb - 24" High, Flat, Uninsulated, Full Perimeter (Shipped Knocked Down) (135.0 lbs)
- S1-02815208000 - Blower Sheave for 8.5 and 10 Ton High Static Field Installed Drive (3.0 lbs)
- S1-A52 - Belt for 8.5 and 10 Ton High Static Field Installed Drive (0.4 lbs)

Project Name: **BRICKYARD EAST**

Unit Model #: **ZJ120S20V2MZZ7**

Quantity: **2** Tag #: **HVAC-2A, 2B**

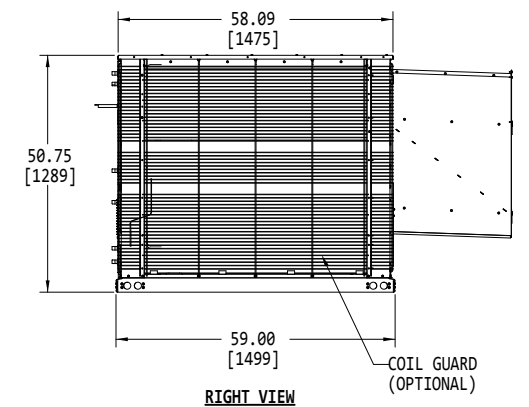
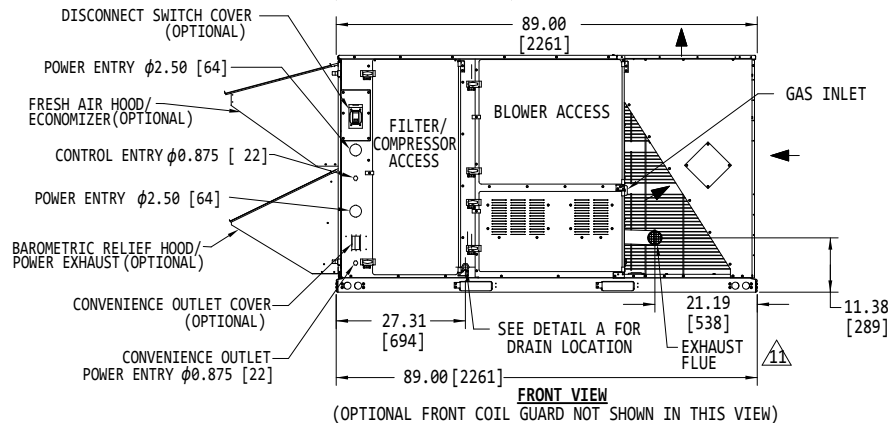
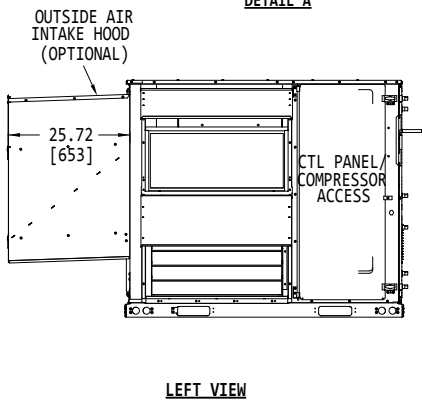
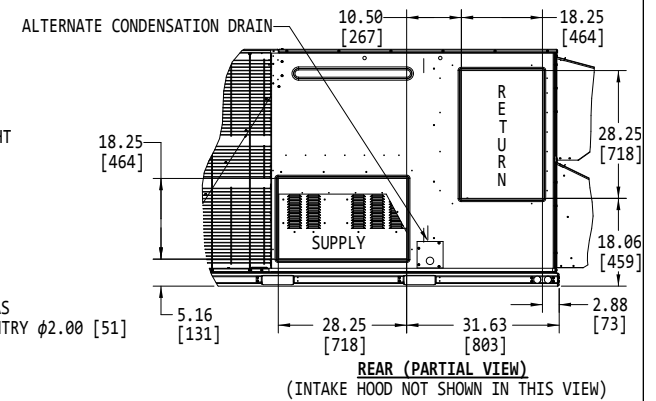
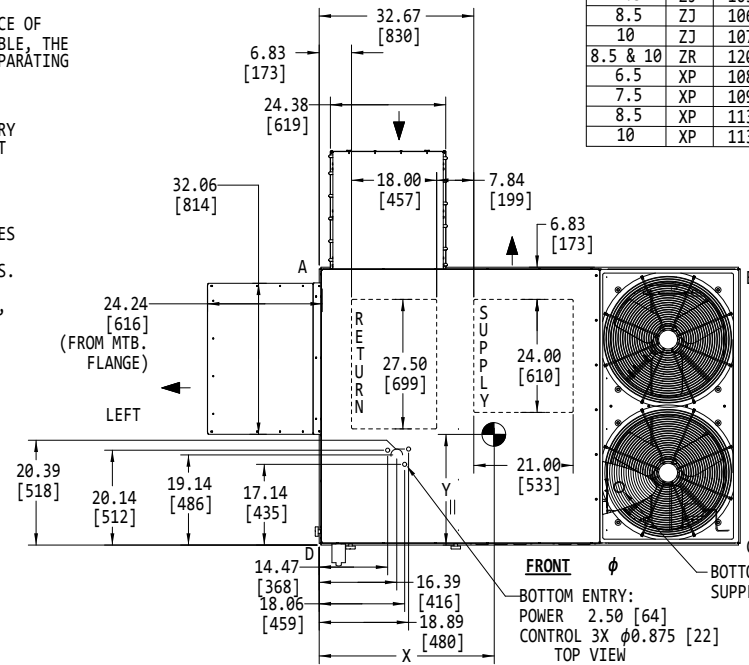
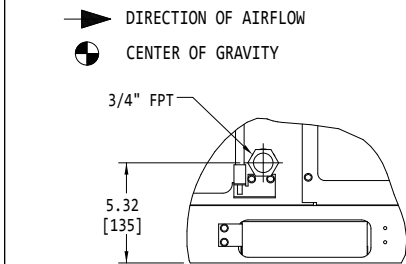
System: **ZJ120S20V2MZZ7 (2), VP028A12M2AM41 (2)**

Consolidated Drawing

NOTES:

1. FOR OUTDOOR USE ONLY.
2. WEIGHTS SHOWN ARE FOR COOLING ONLY UNITS.
3. MIN. CLEARANCES TO BE:
 RIGHT SIDE: 12 [305]
 LEFT SIDE: 36 [915]
 FRONT: 36 [915]
 REAR: 36 [915]
 TOP: 72 [1830]
 BOTTOM: 0 [0]
4. TO REMOVE THE SLIDE-OUT DRAIN PAN, A REAR CLEARANCE OF 60 in (1525 mm) IS REQUIRED. IF SPACE IS UNAVAILABLE, THE DRAIN PAN CAN BE REMOVED THROUGH THE FRONT BY SEPARATING THE CORNER WALL.
5. FOR SMALLER SERVICE AND OPERATIONAL CLEARANCES CONTACT YOUR APPLICATION ENGINEERING DEPARTMENT.
6. DOWNFLOW DUCTS DESIGNED TO BE ATTACHED TO ACCESSORY ROOF CURB ONLY. IF UNIT IS MOUNTED SIDE SUPPLY, IT IS RECOMMENDED THAT THE DUCTS ARE SUPPORTED BY CROSS BRACES, AS DONE ON ACCESSORY ROOF CURBS.
7. SIDE DUCT FLANGES ARE 0.75" HIGH. BOTTOM DUCTS DO NOT HAVE FLANGES.
8. MINIMUM CONDENSATION TRAP HEIGHT SHALL BE 1.5 TIMES THE LOWEST NEGATIVE STATIC.
9. DIMENSIONS IN [] ARE IN MILLIMETERS OR KILOGRAMS.
10. OPTIONAL COIL GUARDS, POWER EXHAUST, GAS HEAT, ECONOMIZER, DISCONNECT SWITCH, CONVENIENCE OUTLET, AND BAROMETRIC RELIEF AND FRESH AIR HOODS SHOWN. EXCEPT XP (HEAT PUMP) UNITS.

TONNAGE	UNIT	OPERATING WEIGHT (LBS) (BASE UNIT)	CENTER OF GRAVITY LOCATION (BASE UNIT)		4 POINT CORNER LOADS (LBS) (BASE UNIT)			
			X	Y	A	B	C	D
8.5	ZF	1007 [458]	38 [965]	24 [610]	235 [107]	175 [79]	255 [116]	342 [155]
10	ZF	1103 [501]	38 [965]	24 [610]	257 [117]	192 [87]	279 [127]	375 [170]
8.5	ZH	1030 [467]	38 [965]	24 [610]	240 [109]	179 [81]	261 [118]	350 [159]
10	ZH	1090 [494]	38 [965]	24 [610]	254 [115]	189 [86]	276 [125]	371 [168]
6.5	ZJ	1030 [467]	39 [991]	25 [635]	245 [111]	191 [87]	260 [118]	333 [151]
7.5	ZJ	1050 [476]	39 [991]	25 [635]	250 [113]	195 [89]	265 [120]	340 [154]
8.5	ZJ	1060 [481]	38 [965]	24 [610]	247 [112]	184 [84]	268 [122]	360 [163]
10	ZJ	1070 [485]	39 [991]	24 [610]	245 [111]	191 [87]	278 [126]	357 [162]
8.5 & 10	ZR	1200 [544]	38 [965]	25.5 [648]	297 [135]	221 [100]	291 [132]	390 [177]
6.5	XP	1080 [490]	38 [965]	25 [635]	262 [119]	195 [89]	266 [121]	357 [162]
7.5	XP	1090 [494]	38 [965]	23 [584]	243 [110]	181 [82]	284 [129]	381 [173]
8.5	XP	1137 [516]	38 [965]	25.5 [648]	282 [128]	210 [95]	276 [125]	370 [168]
10	XP	1135 [515]	38 [965]	25.5 [648]	281 [127]	209 [95]	275 [125]	369 [167]



Project Name: **BRICKYARD EAST**

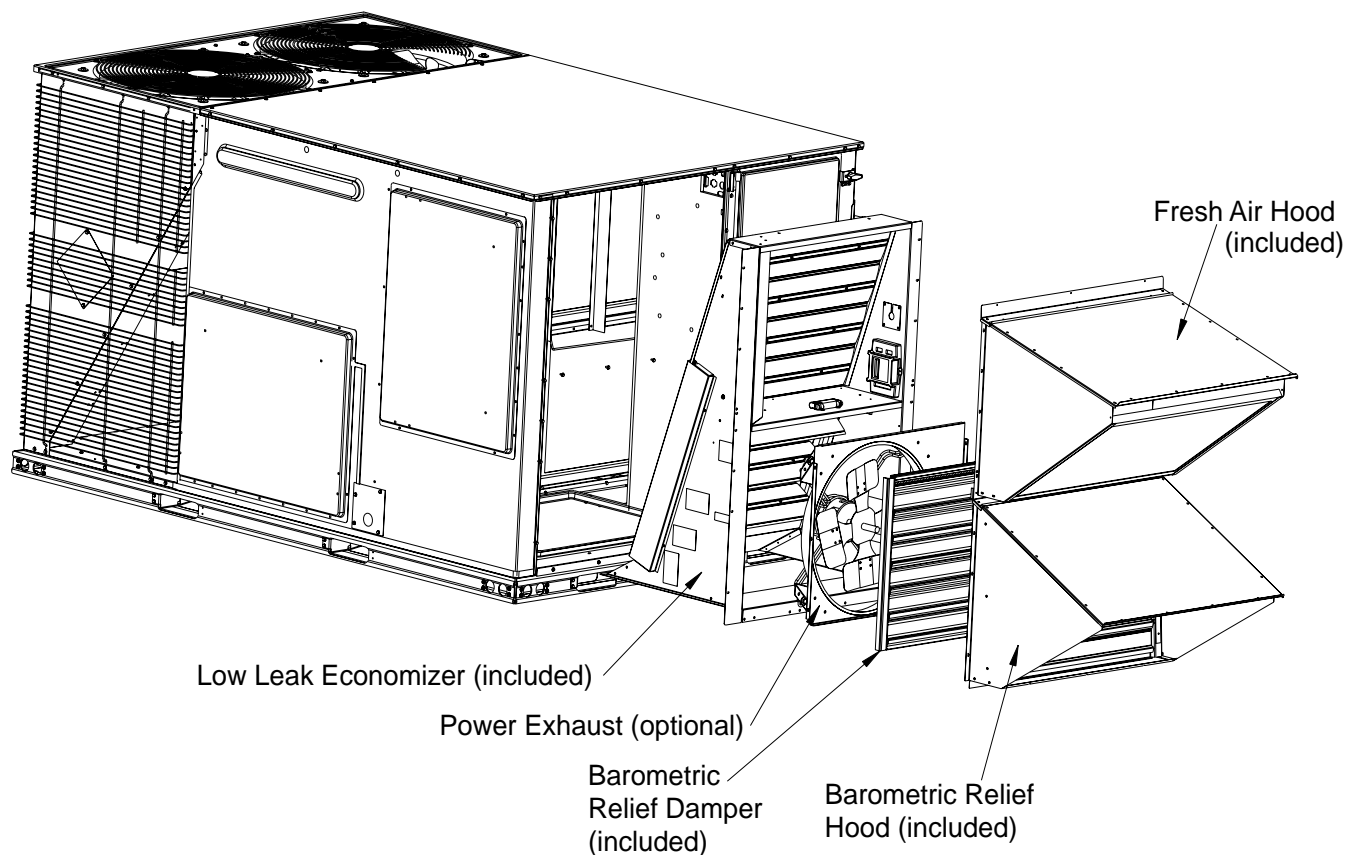
Unit Model #: **ZJ120S20V2MZZ7**

Quantity: **2** Tag #: **HVAC-2A, 2B**

System: **ZJ120S20V2MZZ7 (2), VP028A12M2AM41 (2)**

Low Leak Downflow Economizer

Low Leak Downflow Economizer (shown with optional Power Exhaust)



Low leak economizers are capable achieving low leakage rates of 3 cfm/sq. ft at 1" of static pressure, meeting or exceeding the following standards:

- ASHRAE 90.1-2010
- ASHRAE 62
- AMCA 511 (licensed as Class 1A damper)
- International Energy Conservation Code (IECC)
- California Title 24

The outdoor intake opening shall be covered with a rain hood that matches the exterior of the unit. Water eliminator/filters shall be provided.

Simultaneous economizer/compressor operation is also possible. Dampers shall fully close on power loss.

Project Name: **BRICKYAARD EAST FIT UP**

Unit Model #: **ZJ061S13J2MZZ7**

Quantity: **2** Tag #: **HVAC-3A,3B**

System: **ZJ061S13J2MZZ7 (2)**

Cooling Performance

Total capacity	57.8 MBH
Sensible capacity	37.0 MBH
Refrigerant type	R-410A
Seasonal Efficiency (at ARI)	15.00 SEER
Efficiency (at ARI)	12.20 EER
Ambient DB temp.	95.0 °F
Entering DB temp.	79.0 °F
Entering WB temp.	67.0 °F
Leaving DB temp.	56.2 °F
Leaving WB temp.	54.5 °F
Power input (w/o blower)	4.05 kW
Sound power	84 dB(A)

Gas Heating Performance

Entering DB temp.	60 °F
Heating output capacity (Max)	129 MBH
Supply air	1500 CFM
Heating input capacity (Max)	160 MBH
Leaving DB temp.	139.6 °F
Air temp. rise	79.6 °F
SSE	80.5 %
Stages	2

Supply Air Blower Performance

Supply air	1500 CFM
Ext. static pressure	0.75 IWG
Addl. Unit Losses (Options/Accessories)	0.17 IWG
Blower speed	888 RPM
Max BHP of Motor (including service factor)	1.73 HP
Duct location	Bottom
Motor rating	1.50 HP
Actual required BHP	0.78 HP
Power input	0.73 kW
Elevation	0 ft.
Drive type	BELT

Outside/Mixed Air

Outside Air Cfm	450 CFM
-----------------	---------

Electrical Data

Power supply	230-3-60
Unit min circuit ampacity	32.5 Amps
Unit max over-current protection	45 Amps

Dimensions & Weight

Hgt	42 in.	Len	89 in.	Wth	59 in.
Weight with factory installed options		1035 lbs.			

Clearances

Right	12 in.	Front	36 in.	Back	36 in.
Top	72 in.	Bottom	0 in.	Left	36 in.

Note: Please refer to the tech guide for listed maximum static pressures



5 Ton

- York Predator units are manufactured at an ISO 9001 registered facility and each rooftop is completely computer-run tested prior to shipment.

Unit Features

- Unit Cabinet Constructed of Powder Painted Steel, Certified At 1000 Hours Salt Spray Test (ASTM B-117 Standards)
- Through-the-Curb and Through-the-Base Utility Connections
- Supply can be field converted from vertical to horizontal configuration without cutting panels
- Full perimeter base rails with built in rigging capabilities
- Hinged Access Panels
- Slide-Out Stainless Steel Drain Pan
- Reciprocating Compressor
- Single Stage Cooling
- Solid Core Liquid Line Filter Driers
- Microchannel Condenser Coil
- 129 MBH Output Stainless Steel, Two Stage Gas Heat
- 1.5 HP Standard Static Belt Drive Blower
- Unit Ships with 4" Pleated Filters (MERV 13)
- Replacement Filters: 4 - (24" x 16"). Unit accepts 2" or 4" wide filters.
- Single Point Power Connection
- HACR Circuit Breaker/Disconnect (Sized for 208 Volts)
- Non-Powered Convenience Outlet
- Return & Supply Air Smoke Detectors
- Dry Bulb Low Leak Economizer w/Barometric Relief and Power Exhaust and Hoods (Bottom or Horizontal End Return Only)
- Short Circuit Current: 5kA RMS Symmetrical

Standard Unit Controller: Simplicity Control Board

- Safety Monitoring - Monitors the high and low-pressure switches, the freezestats, the gas valve, if applicable, and the temperature limit switch on gas and electric heat units. The unit control board will alarm on ignition failures, safety lockouts and repeated limit switch trips.

BAS Controller

- Simplicity SE Controller with Discharge Air, Return Air, and Outside Air Sensor

Warranty

- One (1) Year Limited Warranty on the Complete Unit
- Five (5) Year Warranty - Compressors
- Fifteen (15) Year Warranty on Stainless Steel Heat Exchanger



Predator Simplicity SE
Single Package R-410A Air Conditioner

Project Name: **BRICKYAARD EAST FIT UP**

Unit Model #: **ZJ061S13J2MZZ7**

Quantity: **2** Tag #: **HVAC-3A,3B**

System: **ZJ061S13J2MZZ7 (2)**

Factory Installed Options

ZJ061S13J2MZZ7

Product Category:	Z	York Predator Single Packaged R-410A Air Conditioner
Product Identifier:	J	15.0 SEER / 12.2 EER
Nominal Cooling Capacity:	061	5 Ton Single Stage Cooling
Heat Type and Nominal Heat Capacity:	S13	129 MBH Output Stainless Steel, Two Stage Gas Heat
Airflow:	J	1.5 HP Standard Static Belt Drive Blower Dry Bulb Low Leak Economizer w/Barometric Relief and Power Exhaust and Hoods (Bottom or Horizontal End Return Only)
Voltage:	2	208/230-3-60
Installation Options:	M	HACR Circuit Breaker/Disconnect (Sized for 208 Volts) Return & Supply Air Smoke Detectors (Bottom return only) Non Powered Convenience Outlet
Additional Options:	ZZ	4" Pleated Filters (MERV 13) Microchannel Condenser Coil Simplicity® SE Controller with Discharge Air, Return Air, and Outside Air Sensor Stainless Steel Drain Pan
Product Generation:	7	

Field Installed Accessories

- 1RC0471 - Roof Curb - 14" High, Flat, Uninsulated, Full Perimeter (Shipped Knocked Down) (135.0 lbs)
- S1-TBSU32P7Y - York Branded LX Series, Up to 4 Heat / 2 Cool, Electronic 7 Day Programmable (1.0 lbs)

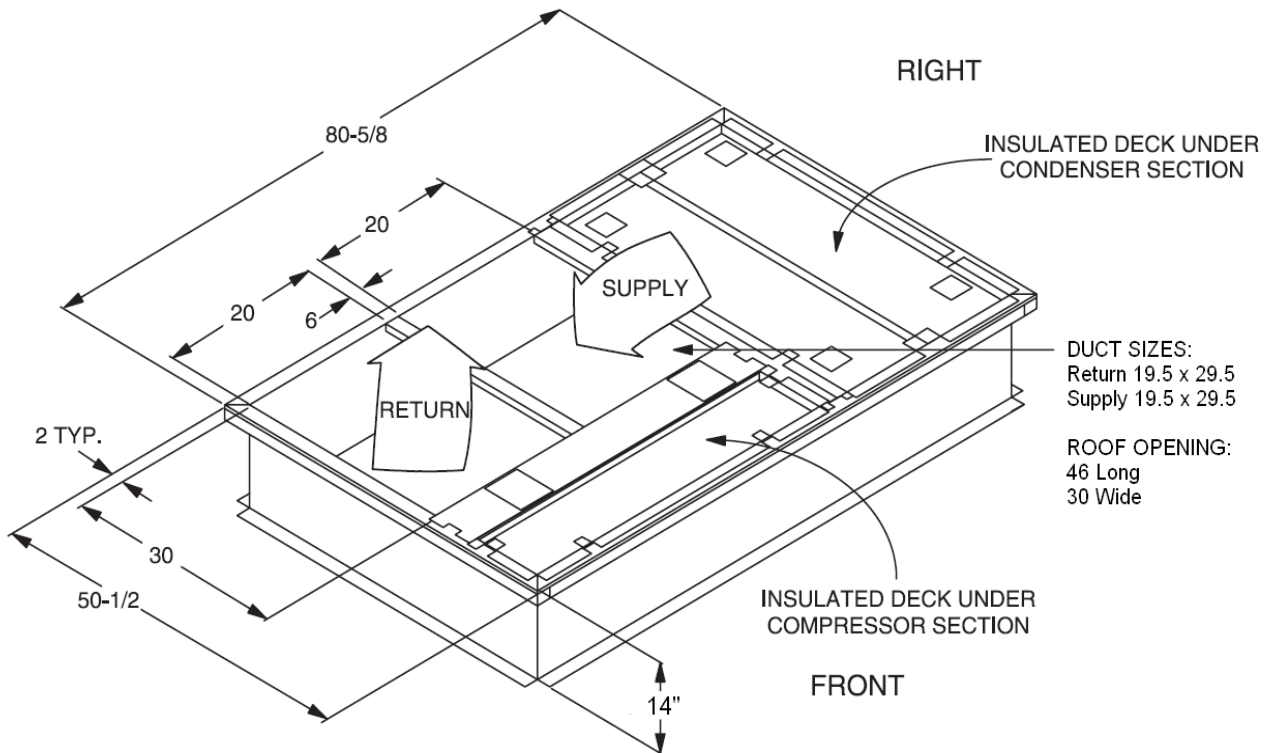
Project Name: **BRICKYAARD EAST FIT UP**

Unit Model #: **ZJ061S13J2MZZ7**

Quantity: **2** Tag #: **HVAC-3A,3B**

System: **ZJ061S13J2MZZ7 (2)**

1RC0471 Roof Curb



* Supply and Return Air (Including duct support rails) as shown, are typical for bottom duct applications.
For location of horizontal duct applications (On rear of unit), refer to Unit Dimensions details.

1RC0471 Roof Curb Dimensions

Project Name: **BRICKYARD EAST**

 Unit Model #: **ZJ120S15V2MZZ70001**

 Quantity: **1** Tag #: **HVAC-4**

 System: **ZJ120S15V2MZZ70001, VP020A12H2AM41**

Cooling Performance

Total capacity	134.2 MBH
Sensible capacity	92.7 MBH
Refrigerant type	R-410A
Efficiency (at ARI)	12.00 EER
Integrated eff. (at ARI)	12.80 IEER
Ambient DB temp.	95.0 °F
Entering DB temp.	81.6 °F
Entering WB temp.	68.8 °F
Leaving DB temp.	60.2 °F
Leaving WB temp.	58.6 °F
Part load efficiency	13.4 IPLV
Power input (w/o blower)	9.00 kW
Sound power	90 dB(A)

Gas Heating Performance

Entering DB temp.	57.5 °F
Heating output capacity (Max)	144 MBH
Supply air	4000 CFM
Heating input capacity (Max)	180 MBH
Leaving DB temp.	90.9 °F
Air temp. rise	33.3 °F
SSE	80.0 %
Stages	2

Supply Air Blower Performance

Supply air	4000 CFM
Ext. static pressure	0.75 IWG
Unit static resistance	0.39 IWG
Blower speed	1171 RPM
Max BHP of Motor (including service factor)	3.45 HP
Duct location	Bottom
Motor rating	3.00 HP
Actual required BHP	2.91 HP
Power input	2.71 kW
Elevation	0 ft.
Drive type	BELT
Requires field-supplied drive	true

Outside/Mixed Air

Outside Air Cfm	1640 CFM
-----------------	----------

Electrical Data

Power supply	230-3-60
Unit min circuit ampacity	51.7 Amps
Unit max over-current protection	60 Amps

Dimensions & Weight

Hgt	51 in.	Len	89 in.	Wth	59 in.
Weight with factory installed options	1265 lbs.				

Clearances

Right	12 in.	Front	36 in.	Back	36 in.
Top	72 in.	Bottom	0 in.	Left	36 in.

Note: Please refer to the tech guide for listed maximum static pressures



10 Ton

- York Predator units are manufactured at an ISO 9001 registered facility and each rooftop is completely computer-run tested prior to shipment.

Unit Features

- Through-the-Curb and Through-the-Base Utility Connections
- Full perimeter base rails with built in rigging capabilities
- Hinged Access Panels
- Slide-Out Stainless Steel Drain Pan
- Scroll Compressors
- Two Stage Cooling
- Solid Core Liquid Line Filter Driers
- Microchannel Condenser Coil
- 144 MBH Output Stainless Steel, Two Stage Gas Heat
- Unit Ships with 4" Pleated Filters (MERV 13)
- Replacement Filters: 4 - (24" x 20"). Unit accepts 2" or 4" wide filters.
- Dirty Filter Switch
- Single Point Power Connection
- HACR Circuit Breaker/Disconnect (Sized for 208 Volts)
- Non-Powered Convenience Outlet
- Phase Monitor
- Phase Monitor
- Return & Supply Air Smoke Detectors
- Dry Bulb Low Leak Economizer w/Barometric Relief and Hoods (Bottom or Horizontal End Return Only)
- Short Circuit Current: 5kA RMS Symmetrical

Standard Unit Controller: Simplicity Control Board

- Safety Monitoring - Monitors the high and low-pressure switches, the freezestats, the gas valve, if applicable, and the temperature limit switch on gas and electric heat units. The unit control board will alarm on ignition failures, safety lockouts and repeated limit switch trips.

BAS Controller

- IntelliSpeed control of the VFD based on stages of cooling. Provides Single Zone VAV Fan Operation as defined by ASHRAE 90.1 section 6.4.3.10.
- Simplicity SE Controller with Discharge Air, Return Air, and Outside Air Sensor

Warranty

- One (1) Year Limited Warranty on the Complete Unit
- Five (5) Year Warranty - Compressors
- Fifteen (15) Year Warranty on Stainless Steel Heat Exchanger

Project Name: **BRICKYARD EAST**

 Unit Model #: **ZJ120S15V2MZZ70001**

 Quantity: **1** Tag #: **HVAC-4**

 System: **ZJ120S15V2MZZ70001, VP020A12H2AM41**
Net Outside Air

CFM	1475
Cooling DB (°F)	95.00
Cooling Wetbulb (°F)	78.00
Heating Drybulb (°F)	-10.00

1 - Outside Air + Exhaust Air Transfer

CFM	1640
Cooling DB (°F)	84.53
Cooling Wetbulb (°F)	71.21
Heating Drybulb (°F)	42.45

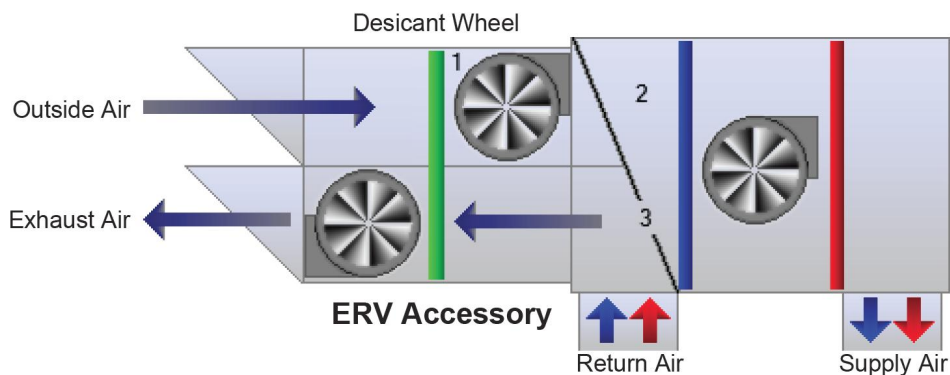
2 - Mixed Air

CFM	4000
Cooling DB (°F)	81.62
Cooling Wetbulb (°F)	68.77
Heating Drybulb (°F)	57.53

Altitude (ft)	0
Net Exhaust Air (CFM)	1263

3 - Balancing Damper

CFM	2360
-----	------


Load Reduction

Summer (Tons)	3.24
Winter (MBH)	95.19

Return Air

CFM	3788
Cooling Drybulb (°F)	79.60
Cooling Wetbulb (°F)	67.00
Heating Drybulb (°F)	68.00

Electrical Data

Voltage	--
Max. Fuse or Breaker Size (Amps)	15
Ampacity (Amps)	11.40



Predator Simplicity SE
Single Package R-410A Air Conditioner

Project Name: **BRICKYARD EAST**

Unit Model #: **ZJ120S15V2MZZ70001**

Quantity: **1** Tag #: **HVAC-4**

System: **ZJ120S15V2MZZ70001, VP020A12H2AM41**

Factory Installed Options

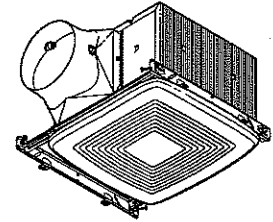
ZJ120S15V2MZZ70001

Product Category:	Z	York Predator Single Packaged R-410A Air Conditioner
Product Identifier:	J	12.0 EER / 12.8 IEER
Nominal Cooling Capacity:	120	10 Ton Two Stage Cooling
Heat Type and Nominal Heat Capacity:	S15	144 MBH Output Stainless Steel, Two Stage Gas Heat
Airflow:	V	3 HP High Static Belt Drive Blower Dry Bulb Low Leak Economizer w/Barometric Relief and Hoods (Bottom or Horizontal End Return Only)
Voltage:	2	208/230-3-60
Installation Options:	M	HACR Circuit Breaker/Disconnect (Sized for 208 Volts) Return & Supply Air Smoke Detectors (Bottom return only) Non Powered Convenience Outlet
Additional Options:	ZZ	4" Pleated Filters (MERV 13) Microchannel Condenser Coil Phase Monitor Simplicity® SE Controller with Discharge Air, Return Air, and Outside Air Sensor Dirty Filter Switch Stainless Steel Drain Pan IntelliSpeed control of the VFD based on stages of cooling (Provides Single Zone VAV Fan Operation as defined by ASHRAE 90.1 section 6.4.3.10)
Product Generation:	7	

Field Installed Accessories

- 1ES0402 - Equipment Support 48" Long x 8" Tall (30.0 lbs)
- 1RC0476 - Roof Curb - 24" High, Flat, Uninsulated, Full Perimeter (Shipped Knocked Down) (135.0 lbs)
- 2EC0402 - Kit, Dual Enthalpy Field Installed (Includes both an Outdoor Air Enthalpy Sensor and a Return Air Enthalpy/Humidity Sensor) (1.0 lbs)
- S1-02815208000 - Blower Sheave for 8.5 and 10 Ton High Static Field Installed Drive (3.0 lbs)
- S1-A52 - Belt for 8.5 and 10 Ton High Static Field Installed Drive (0.4 lbs)

MODEL ZB80 VENTILATION FAN



FEATURES

ULTRASMART™ DC Motor and Control Technology

- DC motor for efficiency well beyond ENERGY STAR® requirements.
- Multi-speed capability ideal for meeting ASHRAE 62.2, LEED and ENERGY STAR® for Homes requirements. Can be used to comply with CA Title 24, as well as local/spot ventilation needs.
- Powerful operation maintained over a wide range of real-world installations (CFM ratings maintained through at least 0.25" static pressure).
- Infinitely adjustable low cfm setting allows precise adjustment to prevent over-ventilating and maximize efficiency.
- Adjustable time delay sets how long fan will run on high speed before returning to a continuous lower speed.
- Rated for Continuous Operation.

ULTRASILENT™ Sound Technology

- HVI certified, best-achievable <0.3 Sone level provides nearly silent operation for a relaxing environment.
- State-of-the-art blower and duct outlet design smooths airflow.
- High tech DC motor designed for nearly silent operation.

ULTRAQUICK™ Installation Technology

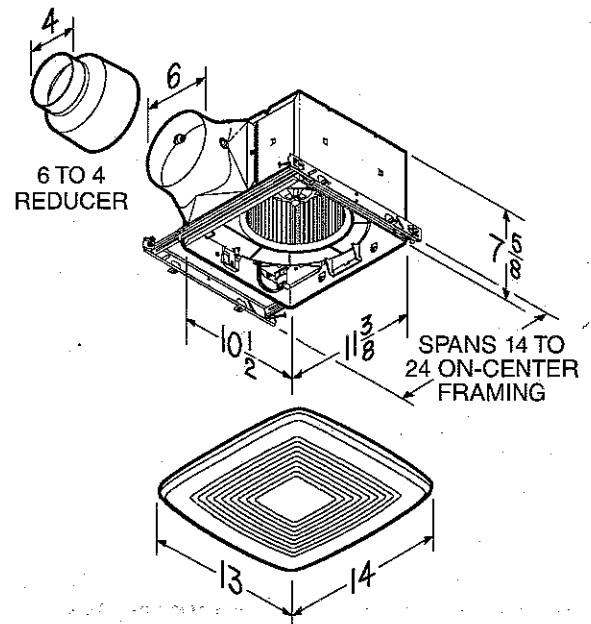
- Unique telescoping mounting frame fits through retrofit drywall opening to allow easy installation from the room side. No attic access needed!
- Captive screws allow for easy new construction installation.
- Mounting frame positioning tabs provide easy vertical positioning for new construction.
- Easy to insert and remove snap-in housing. No screws required!
- Easy to insert and remove snap-in blower.
- Inside or outside duct connector and knockout plate mounting provides flexibility for new construction or retrofit.

U.L. Listed for use over bathtubs and showers when connected to a GFCI protected branch circuit (ceiling mount only).

Use only ON/OFF switch, mechanical timer or relay-switched control.

3-year warranty.

DIMENSIONS (Inches)



Broan-NuTone LLC Hartford, Wisconsin www.broan.com 800-558-1711

REFERENCE	QTY.	REMARKS	Project
			BRICK NORTH EAST
			Location
			Architect
			Engineer
			Contractor Jim's METAL FAB
			Submitted by Rolands Date 11/4/15



PERFORMANCE SPECIFICATIONS MODEL ZB80 VENTILATION FAN

AMCA LICENSED PERFORMANCE

Airflow Rate Setting (CFM)	Duct Size	Performance @ Static Pressure (Ps) - inches Water Gage												Volts	Hz.	Nominal RPM	
		0.100" Ps			0.125" Ps		0.250" Ps		0.375" Ps		0.500" Ps		0.625" Ps				
		CFM	Sones	Watts	CFM	Sones	CFM	Sones	CFM	Sones	CFM	Sones	CFM				Sones
80	4" Round	80	< 0.3	7.8	80	0.3	80	1.0	78	1.8	64	2.4	37	3.0	120	60	985
	6" Round	80	< 0.3	6.1	80	< 0.3	80	0.6	78	1.4	66	2.2	38	3.0	120	60	935



Performance ratings include the effects of inlet grille and backdraft damper. Speed (RPM) shown is nominal. Performance is based on actual speed of test. The sound ratings are loudness values in fan sones at 5' (1.5m) in a spherical free field calculated per AMCA Std. 301. Values shown are for Installation Type B: free inlet hemispherical sone levels. Performance certified is for Installation Type B: Free inlet, Ducted outlet.

HVI PERFORMANCE

Airflow Rate Setting (CFM)	6" Duct					4" Duct				
	0.1 Ps - Static Pressure (inH2O)				0.25 Ps	0.1 Ps - Static Pressure (inH2O)				0.25 Ps
	Airflow (CFM)	Sound (Sones)	Power (Watts)	Efficacy (CFM/Watt)	Airflow (CFM)	Airflow (CFM)	Sound (Sones)	Power (Watts)	Efficacy (CFM/Watt)	Airflow (CFM)
80	80	< 0.3	5.8	13.7	79	80	0.3	7.6	10.5	80
70	70	< 0.3	5.1	13.7	71	70	< 0.3	6.5	10.7	70
60	60	< 0.3	4.4	13.6	61	60	< 0.3	5.5	10.9	60
50	50	< 0.3	4.0	12.7	49	50	< 0.3	5.1	10.3	47
40	40	< 0.3	3.7	12.1	36	40	< 0.3	4.3	10.9	34
30	30	< 0.3	3.4	11.4	23	30	< 0.3	3.9	10.2	22



HVI-2100 CERTIFIED RATINGS comply with new testing technologies and procedures prescribed by the Home Ventilating Institute, for off-the-shelf products, as they are available to consumers. Product performance is rated at 0.1 in. static pressure, based on tests conducted in a state-of-the-art test laboratory. Sones are a measure of humanly-perceived loudness, based on laboratory measurements.

ELECTRICAL & WEIGHT

Volts	Hz	Amps	Shipping Weight (lbs.)
120	60	0.1	12.5



FAN CAPABILITY

