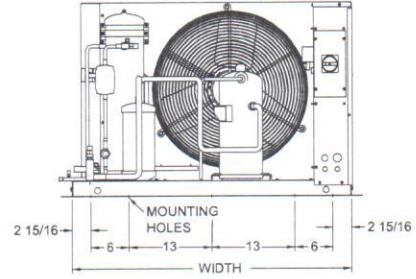
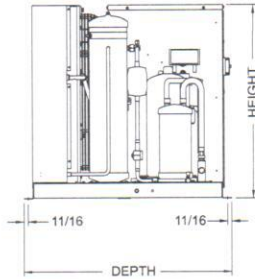
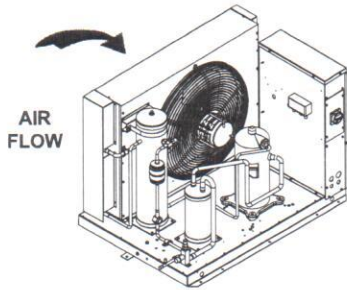
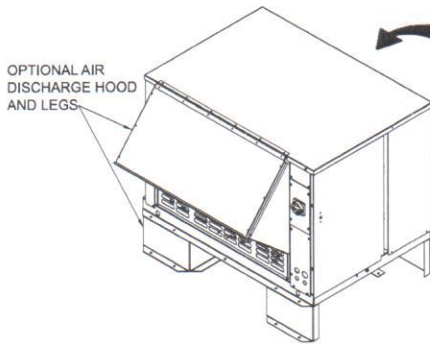


DRAWING #2

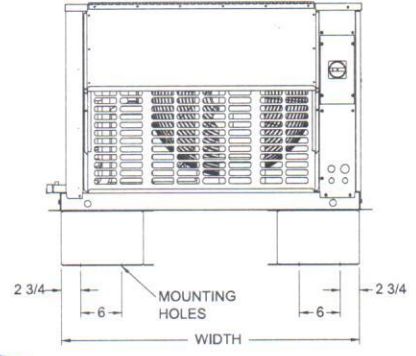
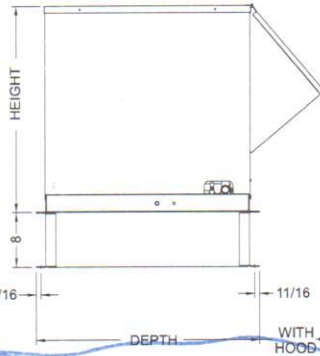
(A)



INDOOR DIMENSIONS

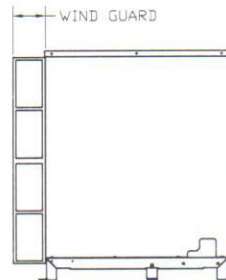
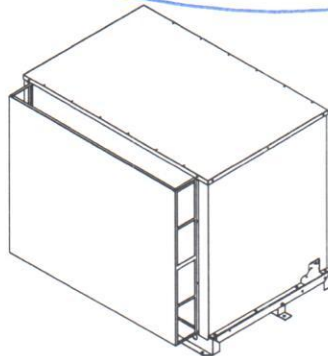


AIR FLOW



OUTDOOR DIMENSIONS

NOTE: Discharge hood, legs and wind guard are optional components



REFER TO PAGE 27 FOR
DIMENSIONAL DATA FOR SPECIFIC MODELS