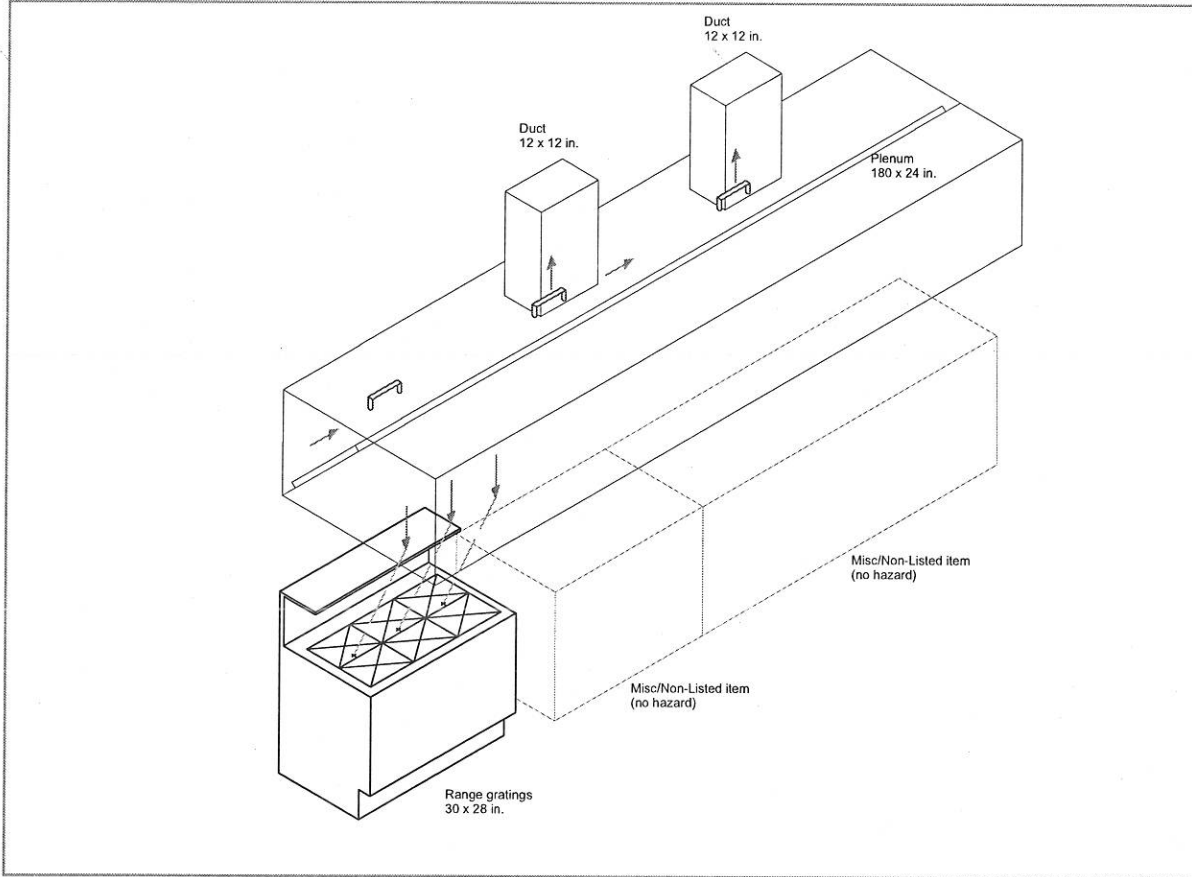




Install Date: 2017
 Thompson's Point
 8 THOMPSON POINT ROAD
 PORTLAND, ME 04102

Allstate Fire Equipment
 44 Garden Street
 Danvers, MA 01923
 Linc Mulno
 781-224-1001
 lmulno@lfpfire.com
 MACR 4612

ANSUL R-102 3 GALLON
 THOMPSON'S POINT



Flow Summary:

Coverage	Overall Dimensions	Nozzle	Flows	Nozzle Location
Hood: Single Bank	180 x 54 in.	1N x2	2	2-4 in. from filter face, center of height dimension, aimed down filter length.
Duct: Square	12 x 12 in.	1W	1	2-8 in. into center of duct opening, aimed up
Duct: Square	12 x 12 in.	1W	1	2-8 in. into center of duct opening, aimed up
Range: 6 burners, obstruction	36 x 32 in.	260 x3	6	30-40 in., front edge of burners, aimed at a point 10 in. from back edge of burners
Total Flow Points			10	