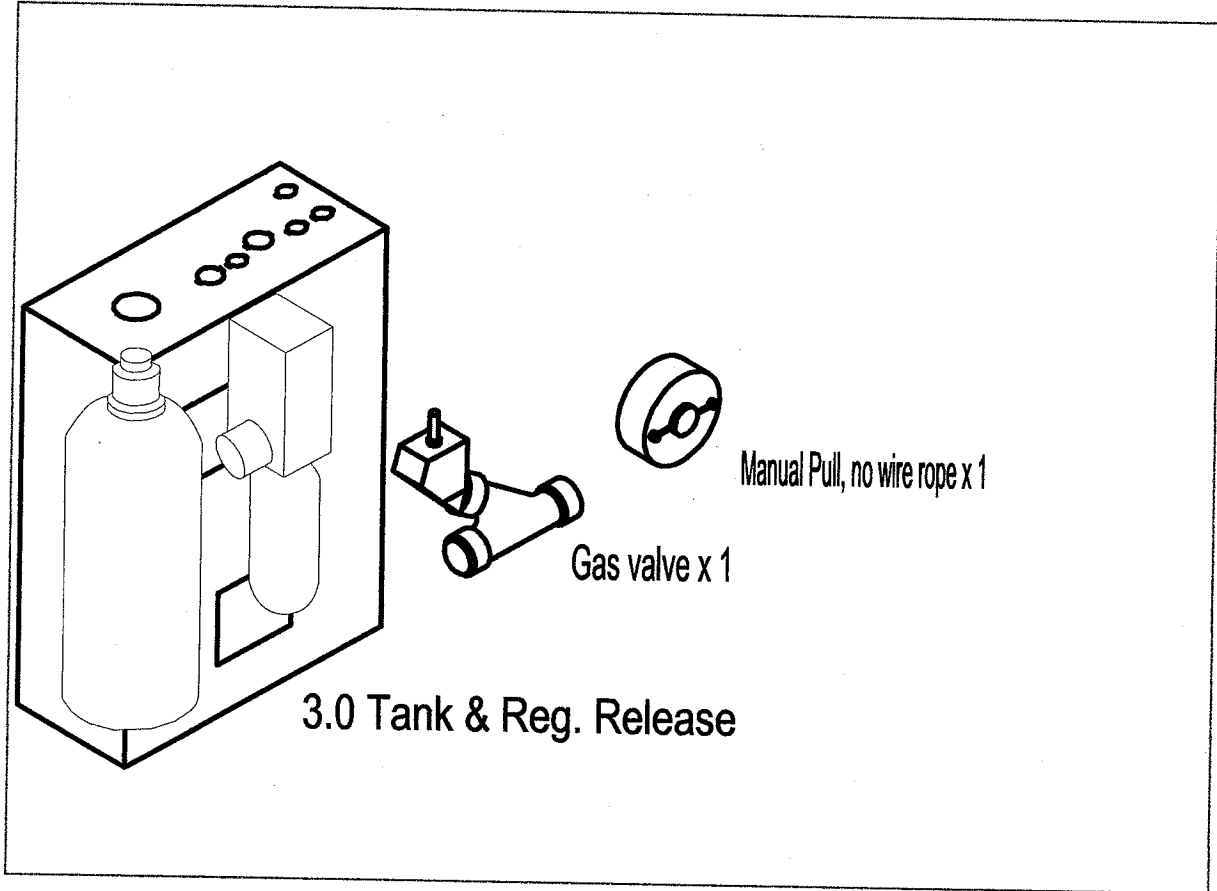




Install Date: [date missing]
Cellar Door
4 Thompsons Pt. Road
Portland, ME 04102
Cintas Fire Protection
603-717-7300

Cintas Fire Protection
3 Tallwood Drive
Bow, NH 03304
John Quinn
603-717-7300
quinnj@cintas.com
1

Cellar Door

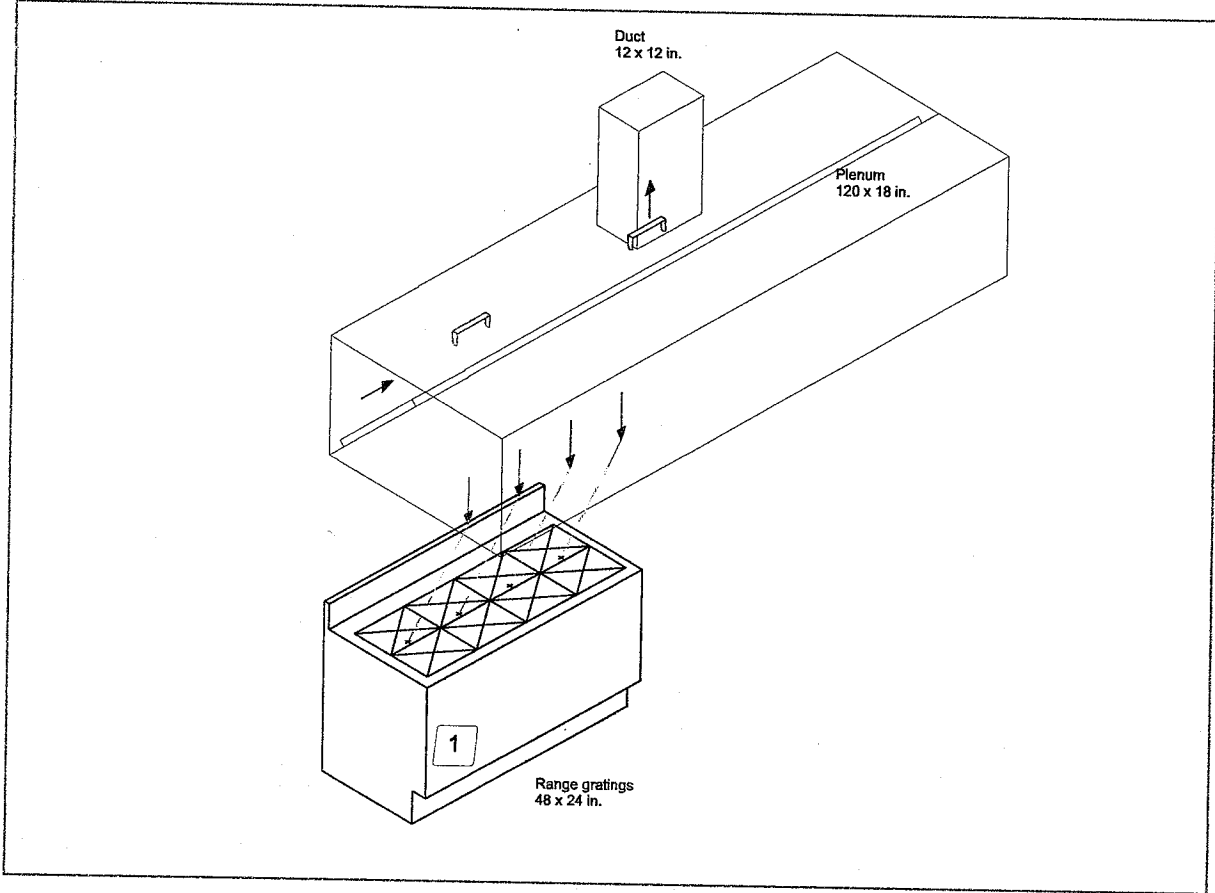




Install Date: [date missing]
 Cellar Door
 4 Thompsons Pt. Road
 Portland, ME 04102
 Cintas Fire Protection
 603-717-7300

Cintas Fire Protection
 3 Tallwood Drive
 Bow, NH 03304
 John Quinn
 603-717-7300
 quinnj@cintas.com
 1

Cellar Door
 Cellar Door



Flow Summary:

| Coverage | Overall Dimensions | Nozzle | Flows | Nozzle Location |
|-------------------|--------------------|--------|-------|--|
| Hood: Single Bank | 120 x 54 in. | 1N | 1 | 2-4 in. from filter face, center of height dimension, aimed down filter length. |
| Duct: Square | 12 x 12 in. | 1W | 1 | 2-8 in. into center of duct opening, aimed up |
| Range: 8 burners | 48 x 24 in. | 1F x4 | 4 | 40-48 in., front edge of burner, nozzle flats parallel with burner front-to-rea ... See Note 1 |
| Total Flow Points | | | 6 | |



Install Date: [date missing]
Cellar Door
4 Thompsons Pt. Road
Portland , ME 04102
Cintas Fire Protection
603-717-7300

Cintas Fire Protection
3 Tallwood Drive
Bow, NH 03304
John Quinn
603-717-7300
quinnj@cintas.com
1

Notes

Fusible Links:

=> To determine actual fusible link ratings, temperature readings must be taken during peak cooking time.

Cellar Door:

Note 1 => Nozzle: 1F x 4: (Range: 8 burners) nozzle position: 40-48 in., front edge of burner, nozzle flats parallel with burner front-to-rear centerline, aimed at center