

SILTSACK® SPECIFICATIONS

NOTE: THE SILTSACK® WILL BE MANUFACTURED FROM A WOVEN POLYPROPYLENE FABRIC THAT MEETS OR EXCEEDS THE FOLLOWING SPECIFICATIONS.

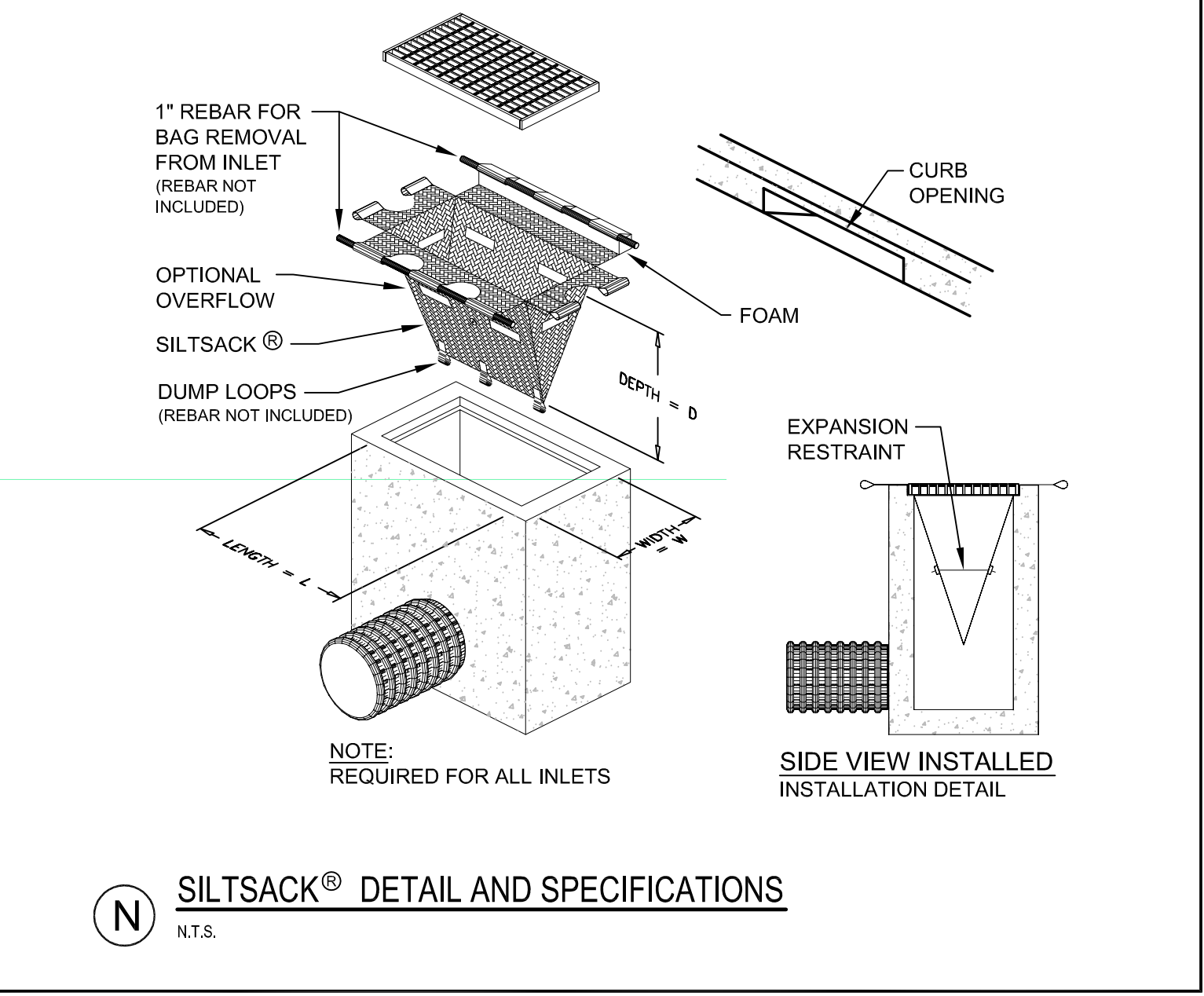
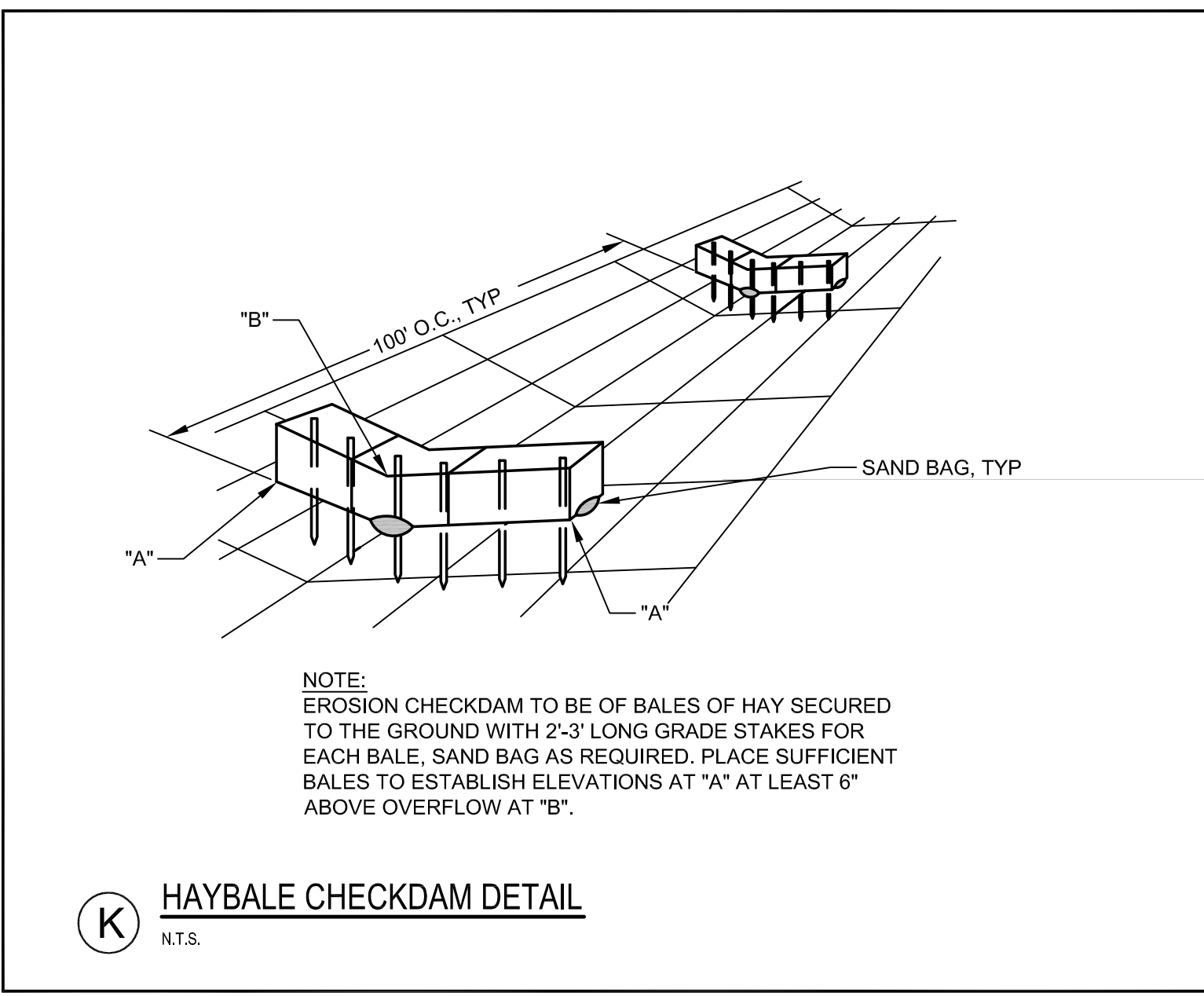
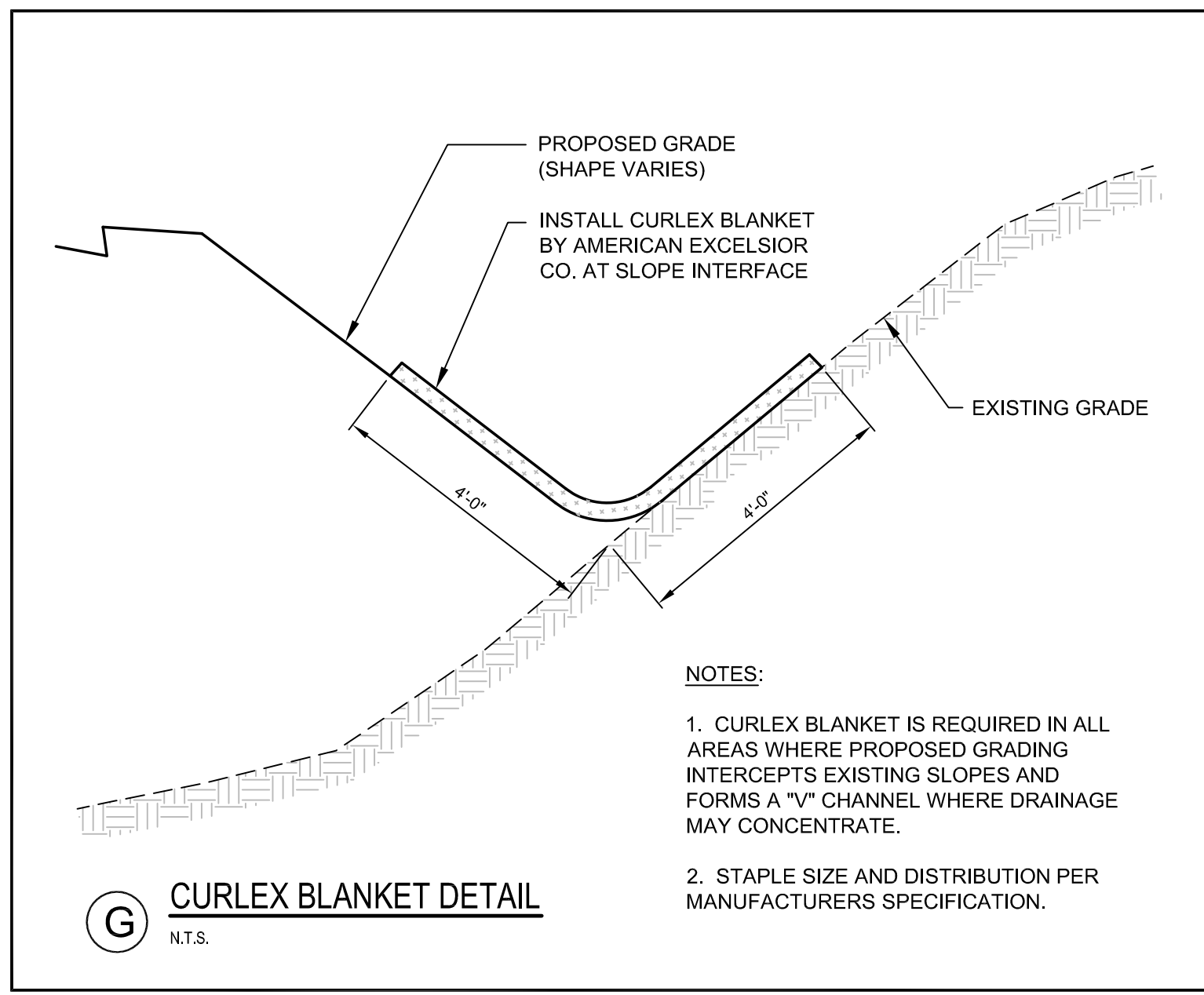
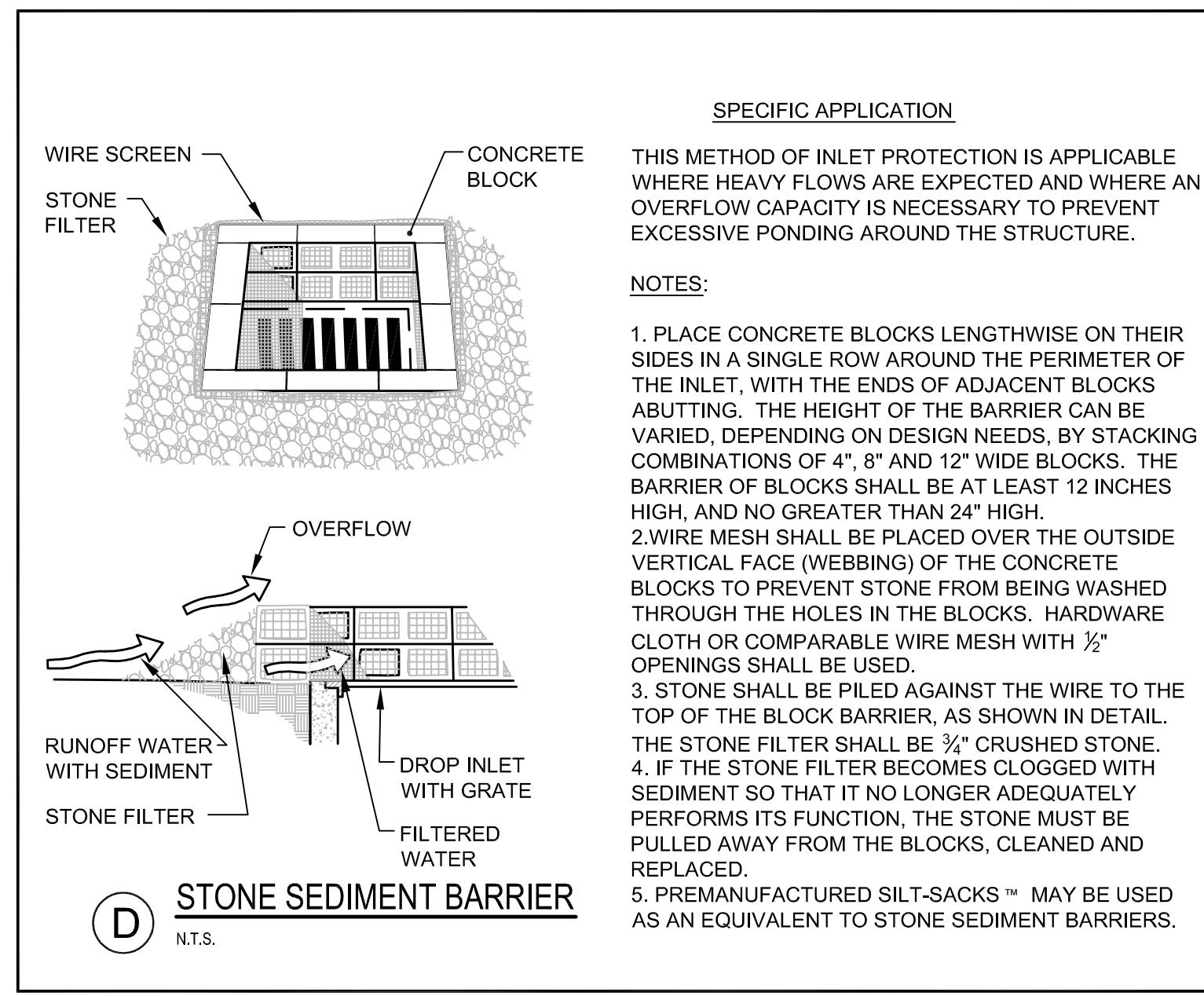
REGULAR FLOW SILTSACK® (FOR SIDE SLOPE USE)

PROPERTIES	TEST METHOD	UNITS
GRAB TENSILE STRENGTH	ASTM D-4632	300 LBS
GRAB TENSILE ELONGATION	ASTM D-4632	20%
PUNCTURE	ASTM D-4833	120 LBS
MULLEN BURST	ASTM D-3786	800 PSI
TRAPEZOID TEAR	ASTM D-4533	120 LBS
UV RESISTANCE	ASTM D-4355	80%
APPARENT OPENING SIZE	ASTM D-4751	40 US SIEVE
FLOW RATE	ASTM D-4491	40 GAL/MIN/SQ FT
PERMITTIVITY	ASTM D-4491	0.55 SEC -1

HI-FLOW SILTSACK® (FOR USE IN LOW POINTS/SAGS)

NOTE: FOR AREAS OF MODERATE TO HEAVY PRECIPITATION AND RUN-OFF

PROPERTIES	TEST METHOD	UNITS
GRAB TENSILE STRENGTH	ASTM D-4632	265 LBS
GRAB TENSILE ELONGATION	ASTM D-4632	20%
PUNCTURE	ASTM D-4833	135 LBS
MULLEN BURST	ASTM D-3786	420 PSI
TRAPEZOID TEAR	ASTM D-4533	45 LBS
UV RESISTANCE	ASTM D-4355	90%
APPARENT OPENING SIZE	ASTM D-4751	20 US SIEVE
FLOW RATE	ASTM D-4491	200 GAL/MIN/SQ FT
PERMITTIVITY	ASTM D-4491	1.5 SEC -1



		PROJECT: BRICK NORTH AND SOUTH BUILDINGS AT THE FOREFRONT AT THOMPSON'S POINT SHEET TITLE: EROSION AND SEDIMENT CONTROL DETAILS CLIENT: FOREFRONT PARTNERS LP	STANTEC CONSULTING SERVICES INC. 482 PAYNE ROAD SCARBOROUGH, ME 04074 WWW.STANTEC.COM
2 08.17.16 FINAL PLAN SUBMISSION TO CITY 1 09.01.15 FINAL BRICK SOUTH LEVEL III SITE PLAN APPLICATION REV DATE DESCRIPTION REVISIONS	P.E. BO KENNEDY LIC. #11994	DRAWN: DED DATE: APRIL 2015 DESIGNED: BEK SCALE: N.T.S. CHECKED: SRB JOB NO. 195350044 FILE NAME: 2982.05-B8 DET SHEET: C-8.5	