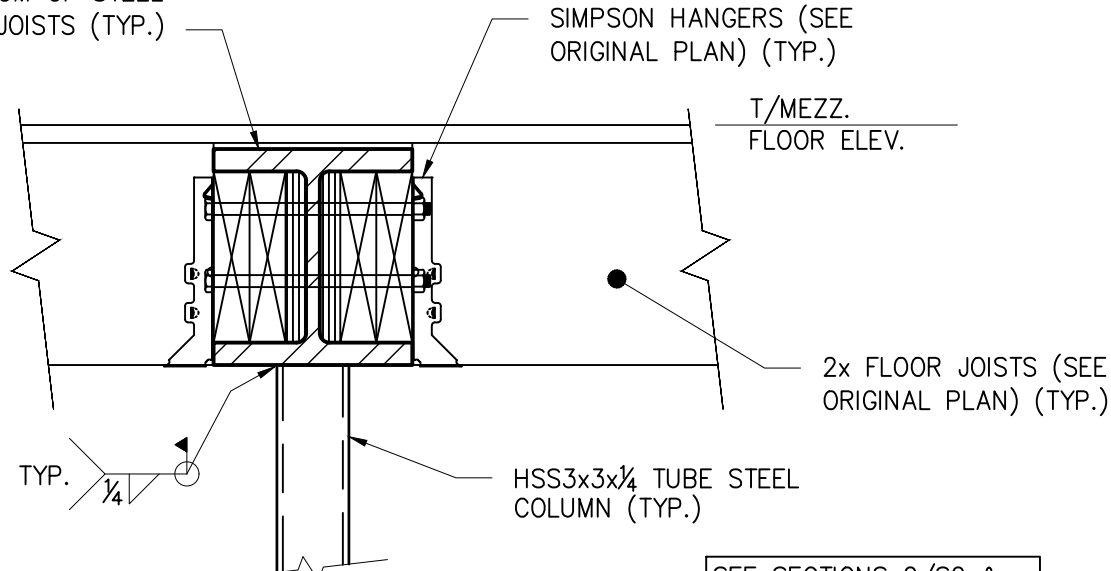


W8 STEEL BEAM (SEE ORIGINAL PLAN). HOLD BOTTOM OF STEEL FLUSH W/BOTTOM OF JOISTS (TYP.)

SIMPSON HANGERS (SEE ORIGINAL PLAN) (TYP.)

T/MEZZ. FLOOR ELEV.



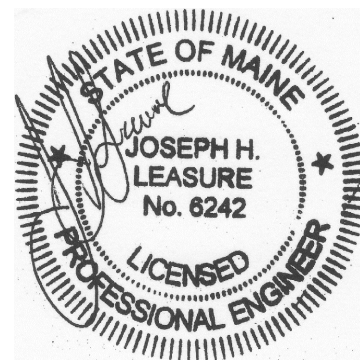
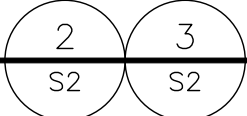
2x FLOOR JOISTS (SEE ORIGINAL PLAN) (TYP.)

HSS3x3x1/4 TUBE STEEL COLUMN (TYP.)

SEE SECTIONS 2/S2 & 3/S2 OF ORIGINAL DWGS FOR ADD'L INFORMATION

SECTION 2 3 **REVISED**

1 1/2" = 1'-0"



2016-120

| | |
|--------------|------------|
| designed by: | JHL |
| drawn by: | RJW |
| checked by: | JHL |
| scale: | AS NOTED |
| date: | 11/10/2016 |

10 THOMPSON POINT ROAD
PORTLAND, MAINE

BUILDING RENOVATION - INTERIOR RETROFIT
SECTION 2/S2 & 3/S2 - REVISED

L & L STRUCTURAL
ENGINEERING SERVICES, INC.
SIX Q STREET
SOUTH PORTLAND, MAINE 04106
PHONE: (207) 767-4830
FAX: (207) 799-5432
EMAIL: JLEASURE@LL-ENG.COM

SKS-1