

Prepared For:

Consultant:

Architect:
ARCHETYPE
 48 Union Wharf Portland, Maine 04101
 (207) 772-6022 Fax (207) 772-4056

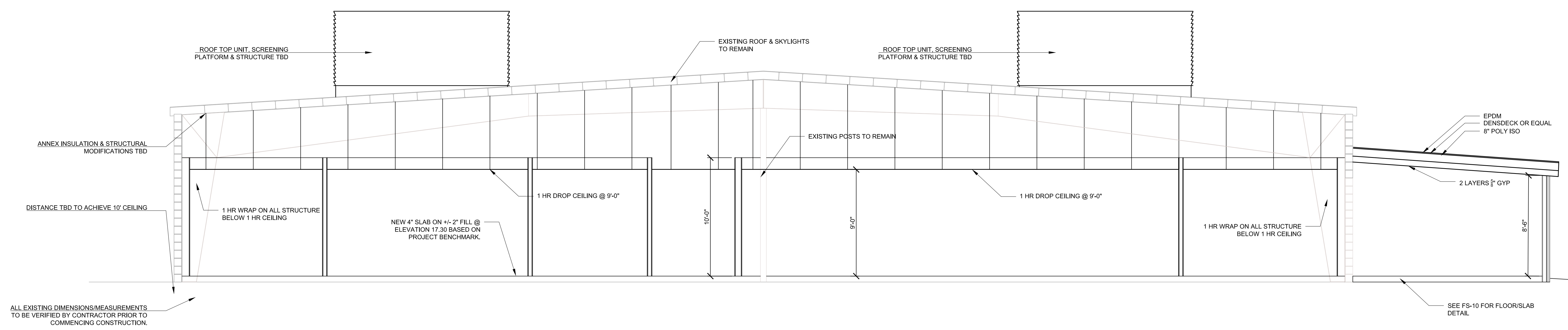
Project:
**THOMPSON'S POINT-
 BRICK SOUTH**
 THOMPSON'S POINT,
 PORTLAND ME

Revisions:

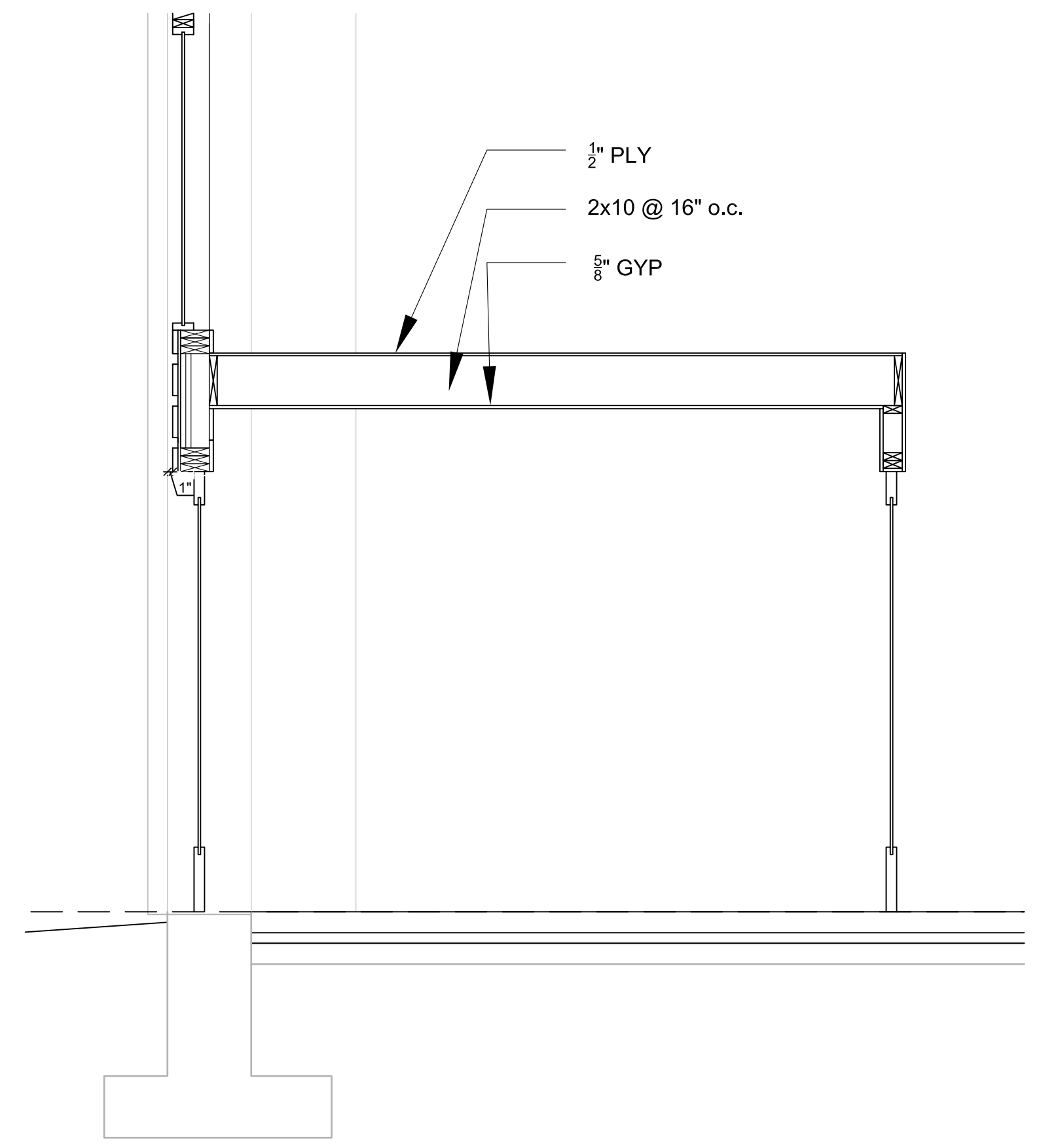
Date: 8-5-2016
 Scale: 1/4" = 1'-0"

Revisions:

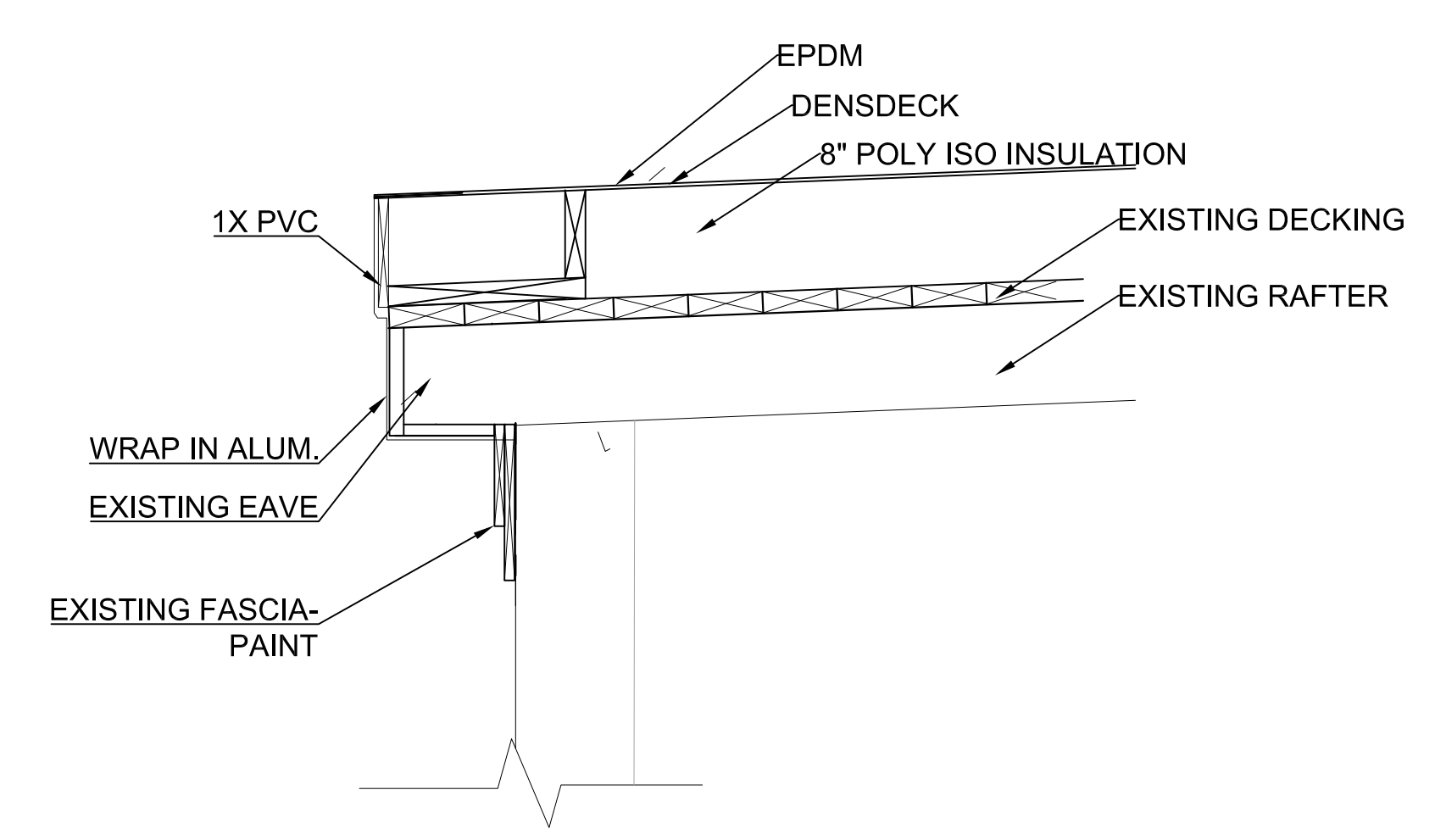
BUILDING SECTIONS
A3.02



1 SECTION C
 A3.02 1/4" = 1'-0"



2 VESTIBULE SECTION
 A3.02 1/2" = 1'-0"



3 EAVE DETAIL
 A3.02 1" = 1'-0"