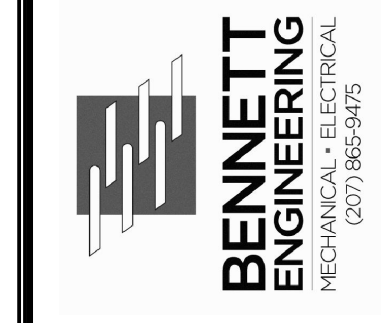


Prepared For:



Consultant:

ARCHETYPE  
48 Union Wharf, Portland, Maine 04101  
(207) 772-6022 Fax (207) 772-4056

Architect:

THOMPSON'S POINT - BRICK SOUTH  
THOMPSON'S POINT, PORTLAND ME

Project:

Revisions:  
1 | 08/04/2016 | ISSUED FOR PERMIT

Scale:

AS NOTED  
MECHANICAL SCHEDULES AND DETAILS

Date:

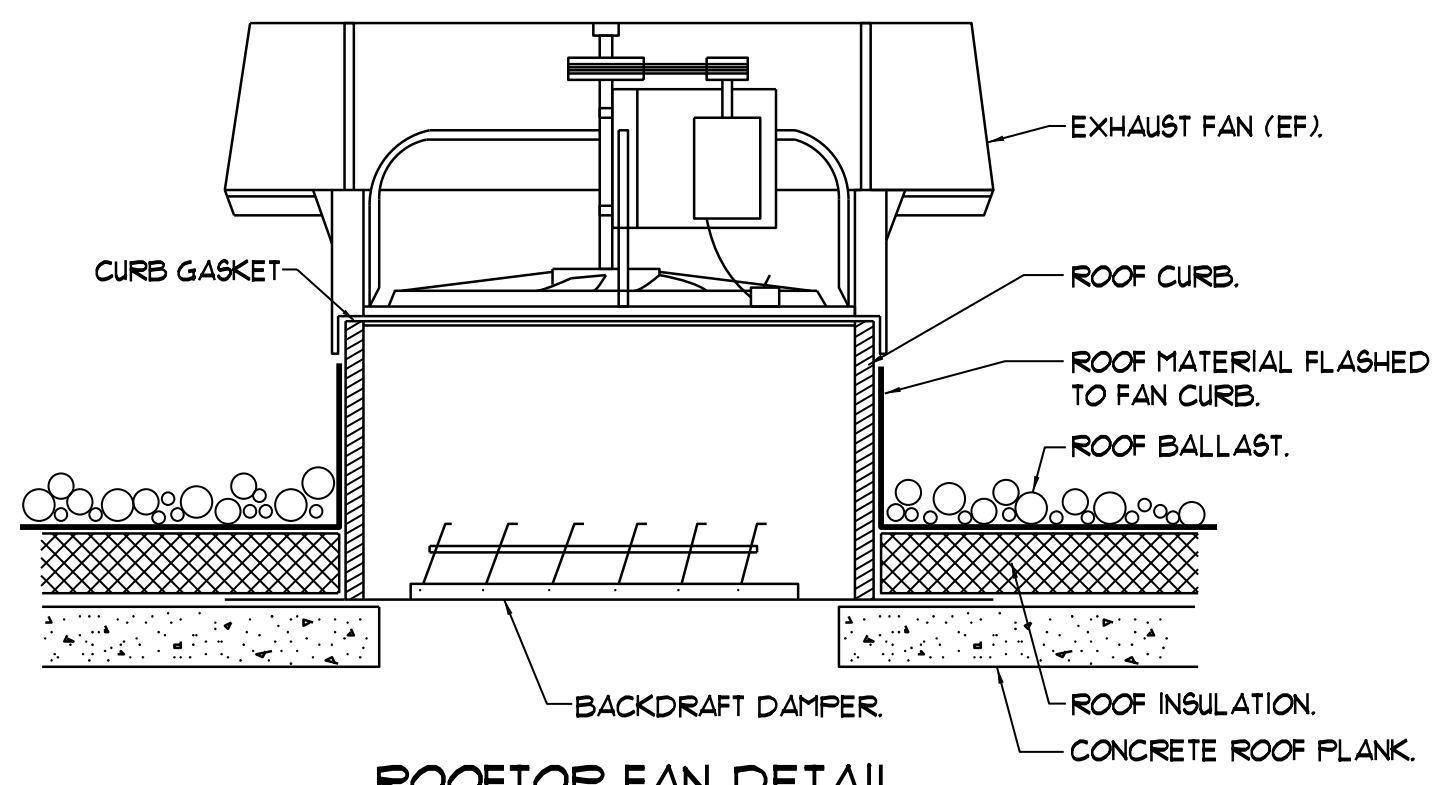
08-04-2016  
M3.02

EXPANSION TANK PERFORMANCE SCHEDULE									
TAG	TANK VOLUME (GAL.)	ACCEPTANCE VOLUME (GAL.)	MIN. REQ'D. ACCEPT. VOL. (GAL.)	MAX. WORK'G. TEMPERATURE (DEG F)	MAX. WORK'G. PRESSURE (PSI)	WEIGHT (LBS)	BASIS OF DESIGN - TACO		
							MOUNTING	SERVICE	MODEL
ET-1	220	120	80	240	125	150	FLOOR	DOM HW	FAX-84

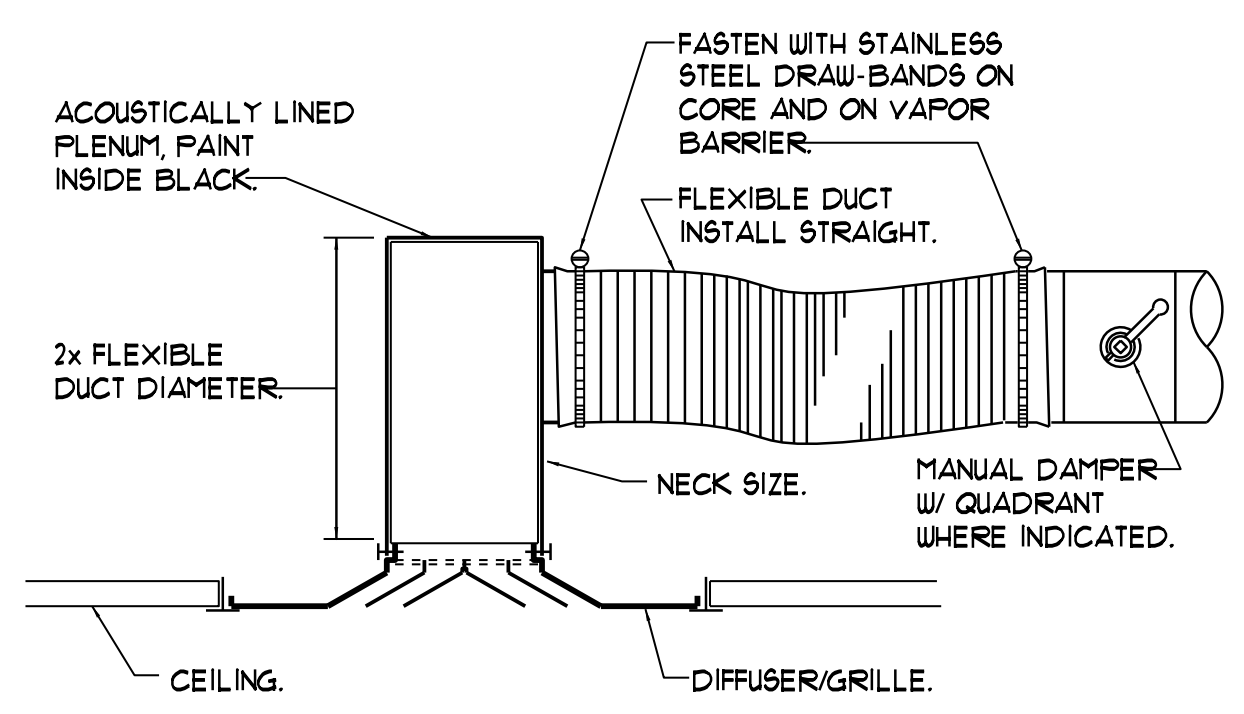
PLUMBING FIXTURE CONNECTION SCHEDULE					
TAG	DESCRIPTION	SAN	VENT	CW	HW
P-1	FLUSH VALVE WATER CLOSET	3"	2"	1"	-
P-1A	ADA FLUSH VALVE WATER CLOSET	3"	2"	1"	-
P-2	URINAL	2"	1-1/2"	3/4"	-
P-3	ADA WALL HUNG LAVATORY	1-1/2"	1-1/2"	1/2"	1/2"
P-3A	ADA WALL HUNG LAVATORY	1-1/2"	1-1/2"	1/2"	1/2"
P-4	MOP BASIN	3"	2"	3/4"	3/4"
P-5	BI-LEVEL DRINKING FOUNTAIN	2"	1-1/2"	3/4"	3/4"
FD-1	FLOOR DRAIN	3"	2"	1/2"	-
FS-1	FLOOR SINK	3"	2"	1/2"	-

MINIMUM SIZE OF BELOW SLAB SANITARY & VENT PIPING SHALL BE 2".  
\* - FLOOR DRAINS SHALL HAVE TRAP PRIMER CONNECTION SERVED FROM NEAREST FIXTURE.

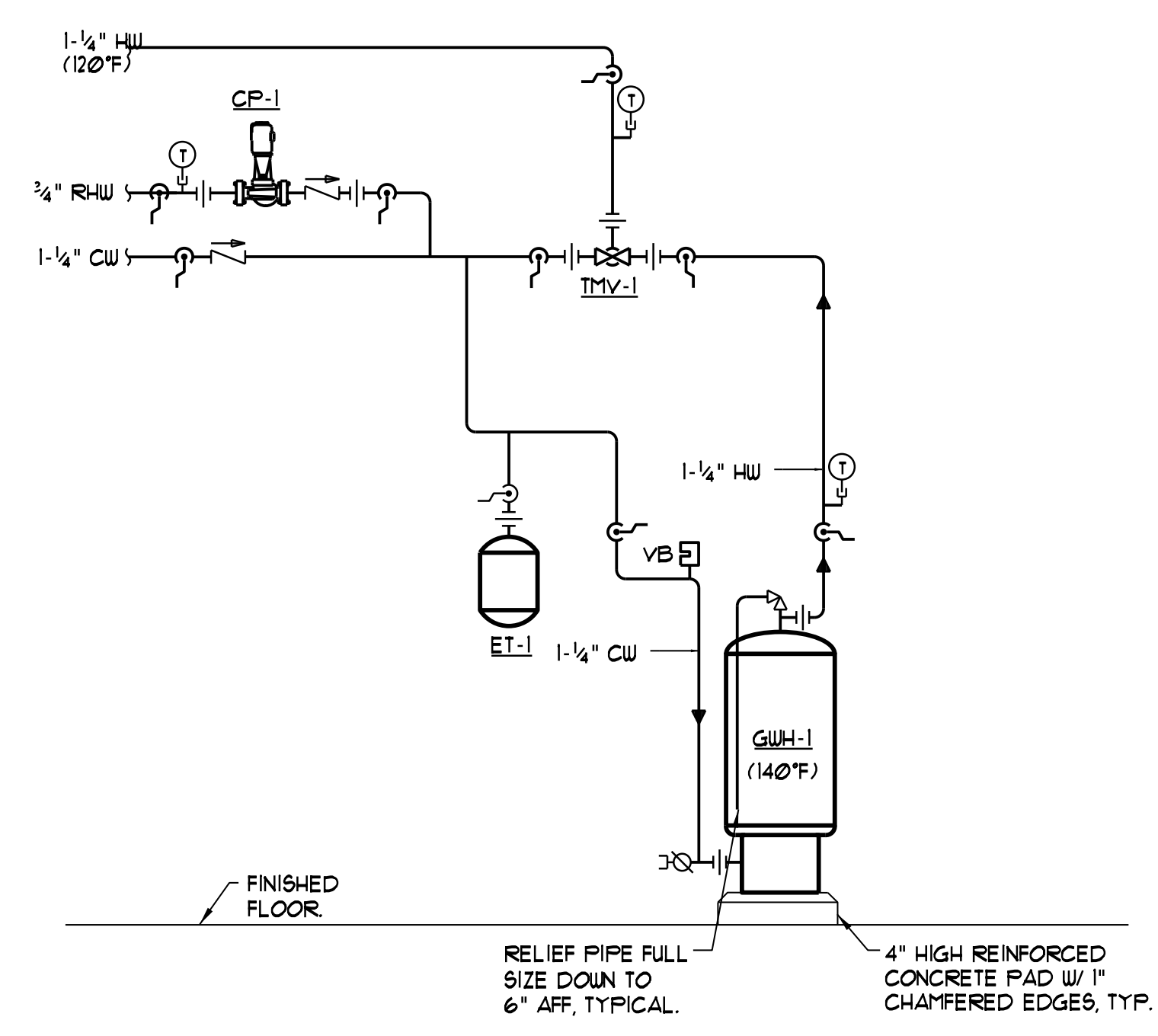
AIR DEVICE PERFORMANCE SCHEDULE										
TAG	PANEL SIZE (IN)	NECK SIZE (IN)	AIRFLOW (CFM)	SPLOS (INWG)	THROW (L)	Nc	BASIS OF DESIGN - METALAIR			
							DUCT CONN (IN)	PATTERN	MODEL	
A	24x24	6x6	100	0.05	-	25	SEE DWGS	SEE DWGS	5000D	
B	24x24	9x9	250	0.05	-	25	SEE DWGS	SEE DWGS	5000D	
C	24x24	12x12	450	0.05	-	25	SEE DWGS	SEE DWGS	5000D	
D	-	18x6	450	0.05	-	25	SEE DWGS	SEE DWGS	RL-DA	
AA	-	8x8	150	0.05	-	25	SEE DWGS	1/2", 45"	RHD	
BB	-	14x14	500	0.05	-	25	SEE DWGS	1/2", 45"	RHD	
CC	-	18x18	800	0.05	-	25	SEE DWGS	1/2", 45"	RHD	
DD	-	30x24	3150	0.05	-	25	SEE DWGS	1/2", 45"	RHD	
EE	-	24x24	1800	0.05	-	25	SEE DWGS	1/2", 45"	RHD	



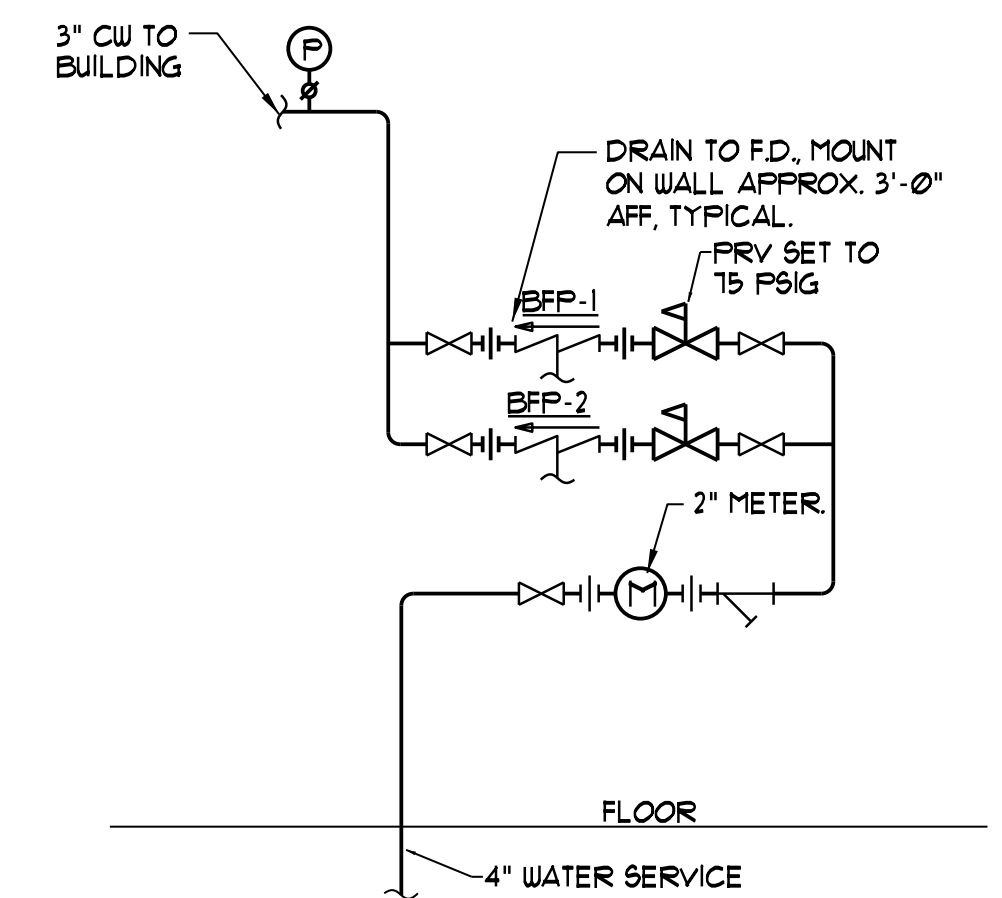
**ROOFTOP FAN DETAIL**  
NTS  
NOTE: ROOF CONSTRUCTION MAY VARY.



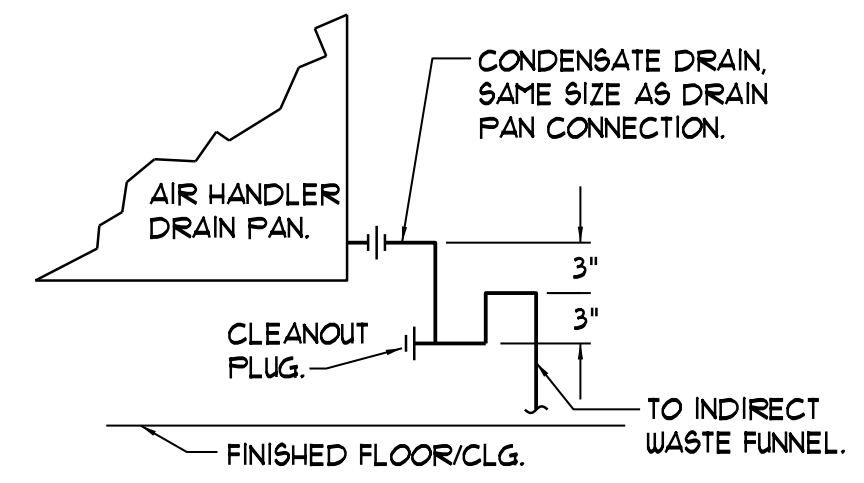
**DIFFUSER/RETURN CONNECTION DETAIL**  
NTS  
NOTE: DETAIL TYPICAL FOR CEILING GRILLES, REGISTERS AND LINEAR DIFFUSERS. FOR SURFACE-MOUNT DEVICES, SUPPORT PLENUM FROM CEILING GRID WITH STEEL ANGLES FASTENED TO PLENUM.



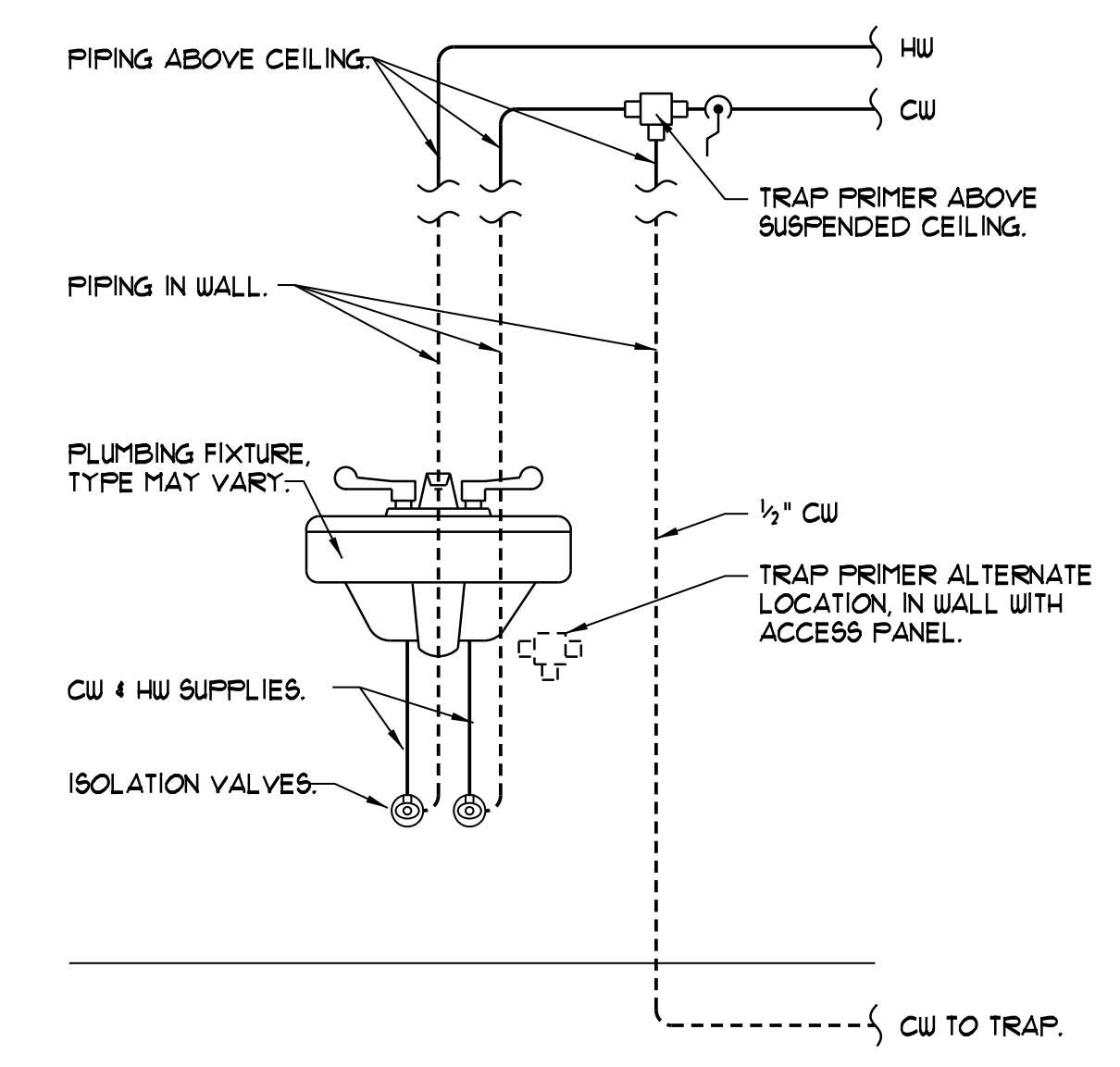
**DOMESTIC HOT WATER PIPING SCHEMATIC**  
NTS



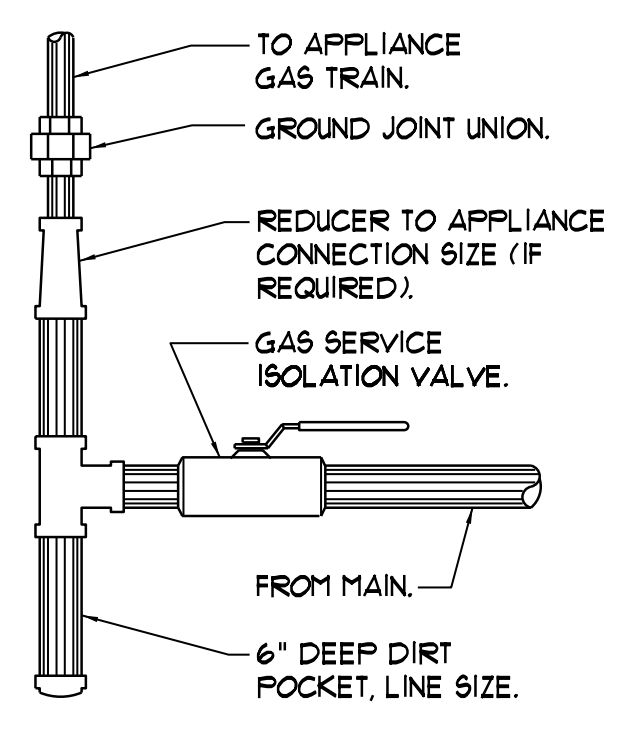
**WATER ENTRANCE DETAIL**  
NTS



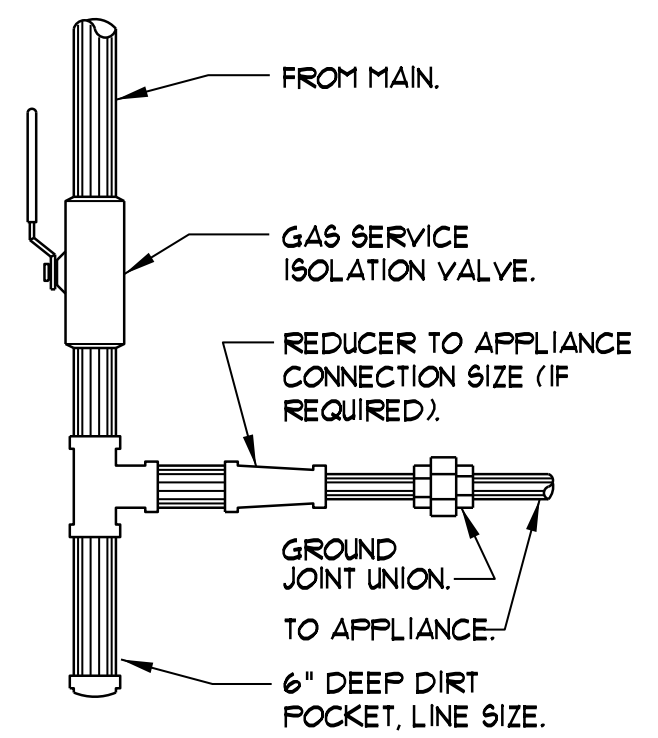
**CONDENSATE TRAP DETAIL**  
NTS  
NOTE - CAP UNUSED DRAIN PAN CONNECTIONS.



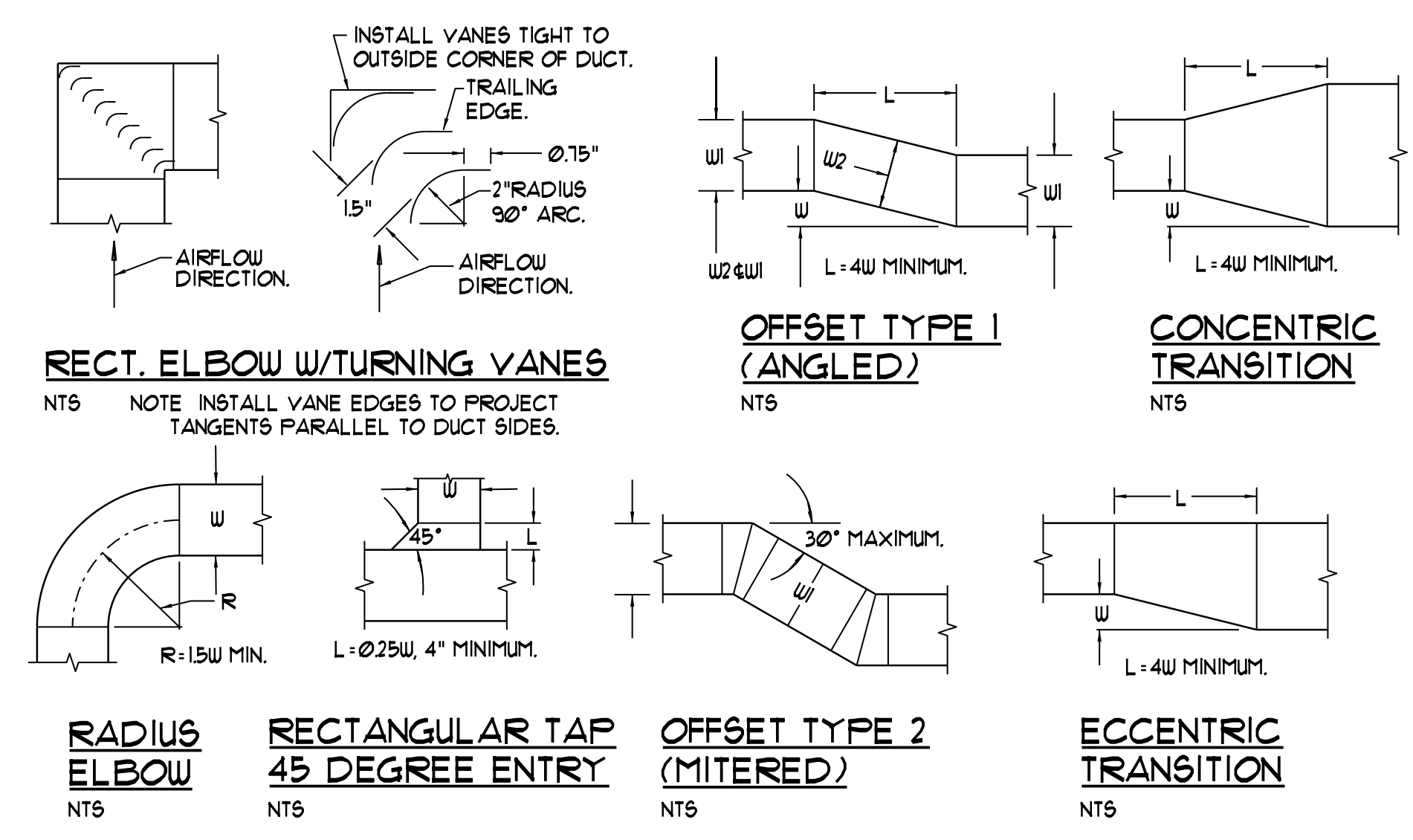
**TRAP PRIMER CONNECTION DETAIL**  
NTS  
NOTE - ALL FLOOR DRAINS SHALL HAVE TRAP PRIMERS, CONNECT TO NEAREST FIXTURE.



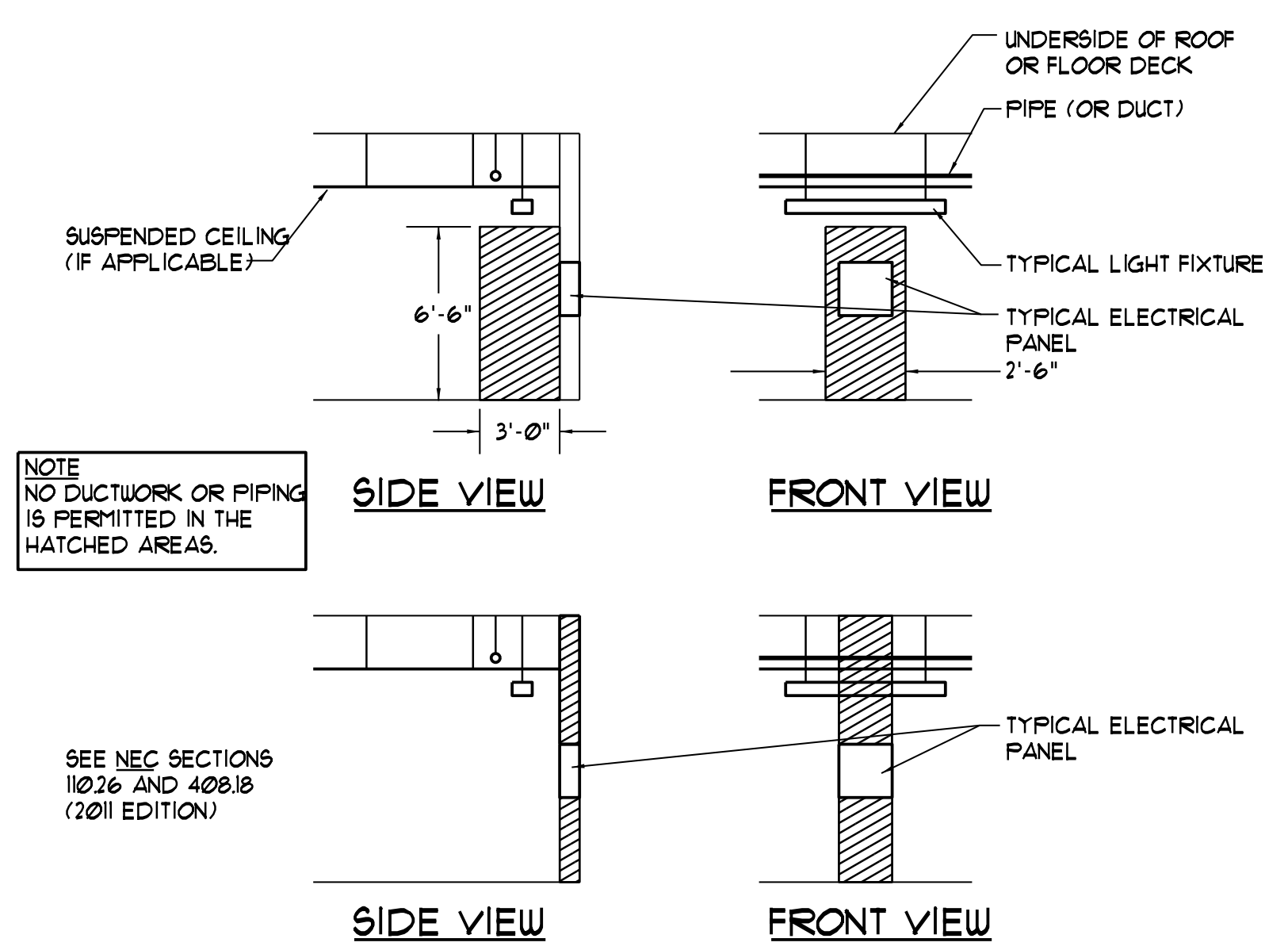
**UPFEED GAS PIPING CONNECTION DETAIL**  
NTS  
NOTE: APPLIANCES WITH REGULATORS LOCATE PIPING SHOWN HEREIN UPSTREAM OF THE APPLIANCE REGULATOR. PROVIDE A TEST PLUG DOWNSTREAM OF THE APPLIANCE REGULATOR.



**DOWNFEED GAS PIPING CONNECTION DETAIL**  
NTS  
NOTE: APPLIANCES WITH REGULATORS LOCATE PIPING SHOWN HEREIN UPSTREAM OF THE APPLIANCE REGULATOR. PROVIDE A TEST PLUG DOWNSTREAM OF THE APPLIANCE REGULATOR.



**LOW PRESSURE DUCT CONSTRUCTION DETAILS - TYPICAL**  
NTS



**CLEARANCES AT ELECTRICAL PANELS**  
NTS  
NOTE: NO DUCTWORK OR PIPING IS PERMITTED IN THE HATCHED AREAS.  
SEE NEC SECTIONS 110.26 AND 408.18 (2011 EDITION)