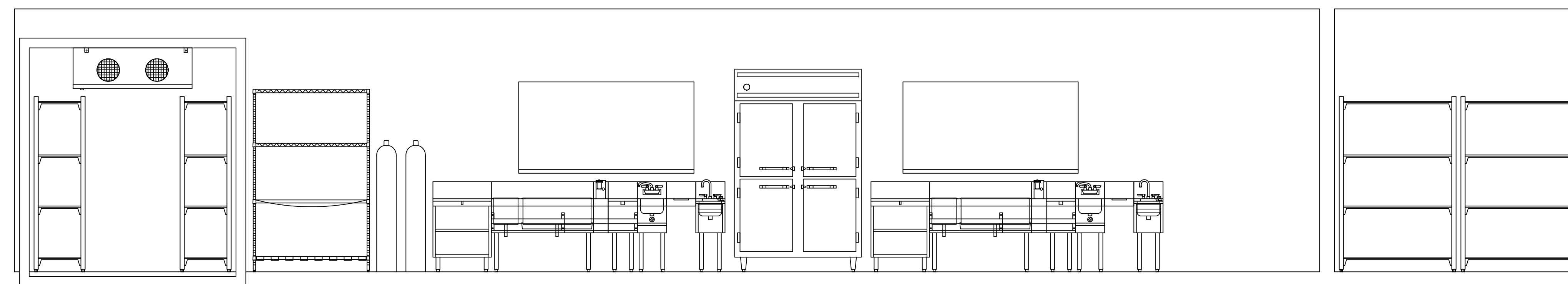
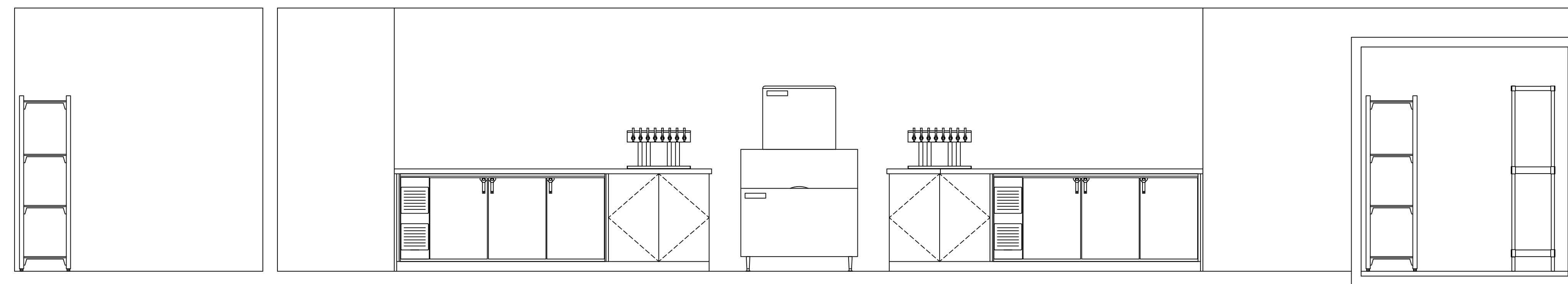


Detail and Elevation
 SCALE: 1/2"=1'-0"



Detail and Elevation
 SCALE: 1/2"=1'-0"



Detail and Elevation
 SCALE: 1/2"=1'-0"

THOMPSON POINT - BRICK SOUTH
 CATERING KITCHEN

THIS DRAWING AND ALL INFORMATION HEREIN ARE THE PROPERTY OF THE DESIGNER AND MAY NOT BE USED OR COPIED, EITHER IN WHOLE OR IN PART, WITHOUT THE EXPRESSED WRITTEN CONSENT OF THE DESIGNER

REV NO: REVISIONS:

PROJECT: BRICK SOUTH KITCHEN DATE:
 DRAWN BY: T. MCARDLE CHECKED BY: T. MCARDLE
 SHEET TITLE: SHEET NO:

FOODSERVICE EQUIPMENT
 DETAILS AND ELEVATIONS FS-14

SCALE: 1/2"=1'-0"