

THOMPSON POINT - BRICK SOUTH  
CATERING KITCHEN

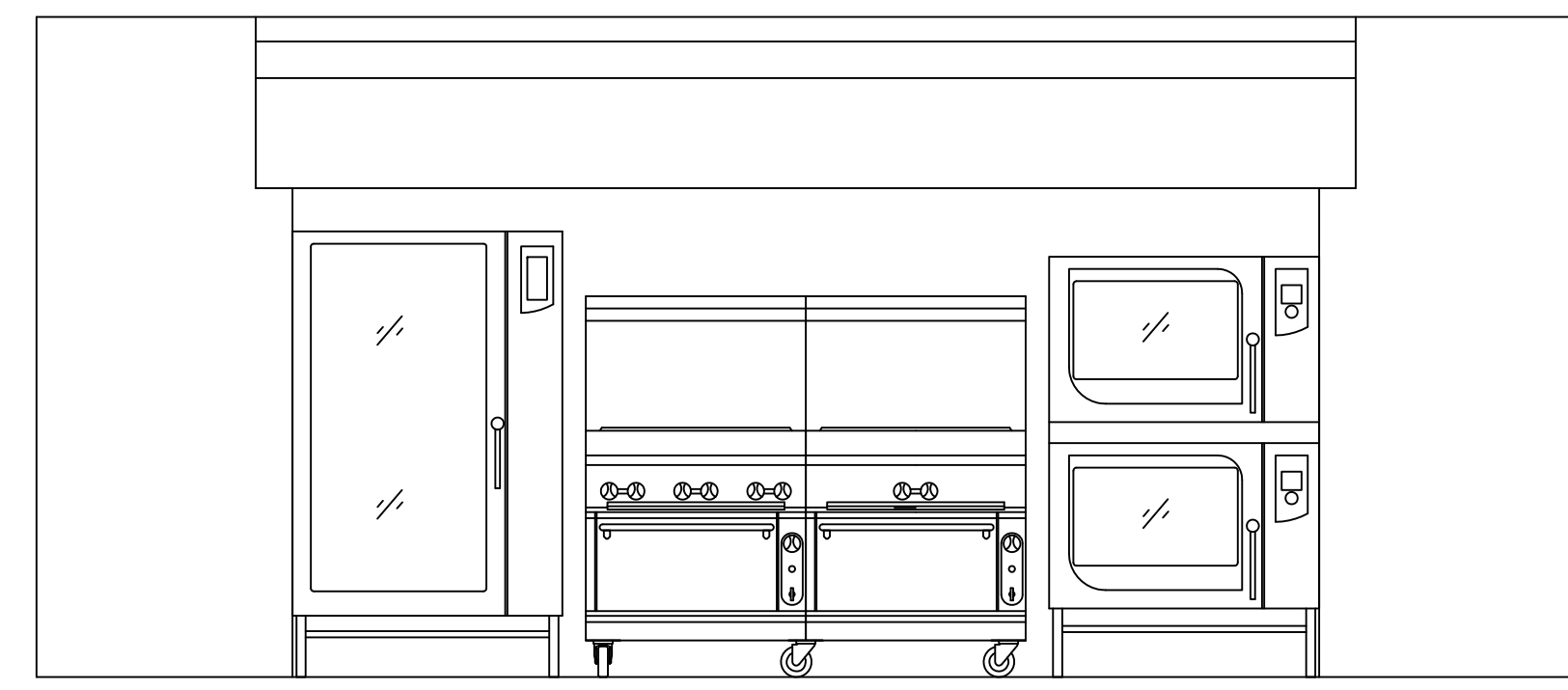
THIS DRAWING AND ALL INFORMATION HEREIN ARE THE PROPERTY OF THE DESIGNER AND MAY NOT BE USED OR COPIED, EITHER IN WHOLE OR IN PART, WITHOUT THE EXPRESSED WRITTEN CONSENT OF THE DESIGNER

REV NO: REVISIONS:

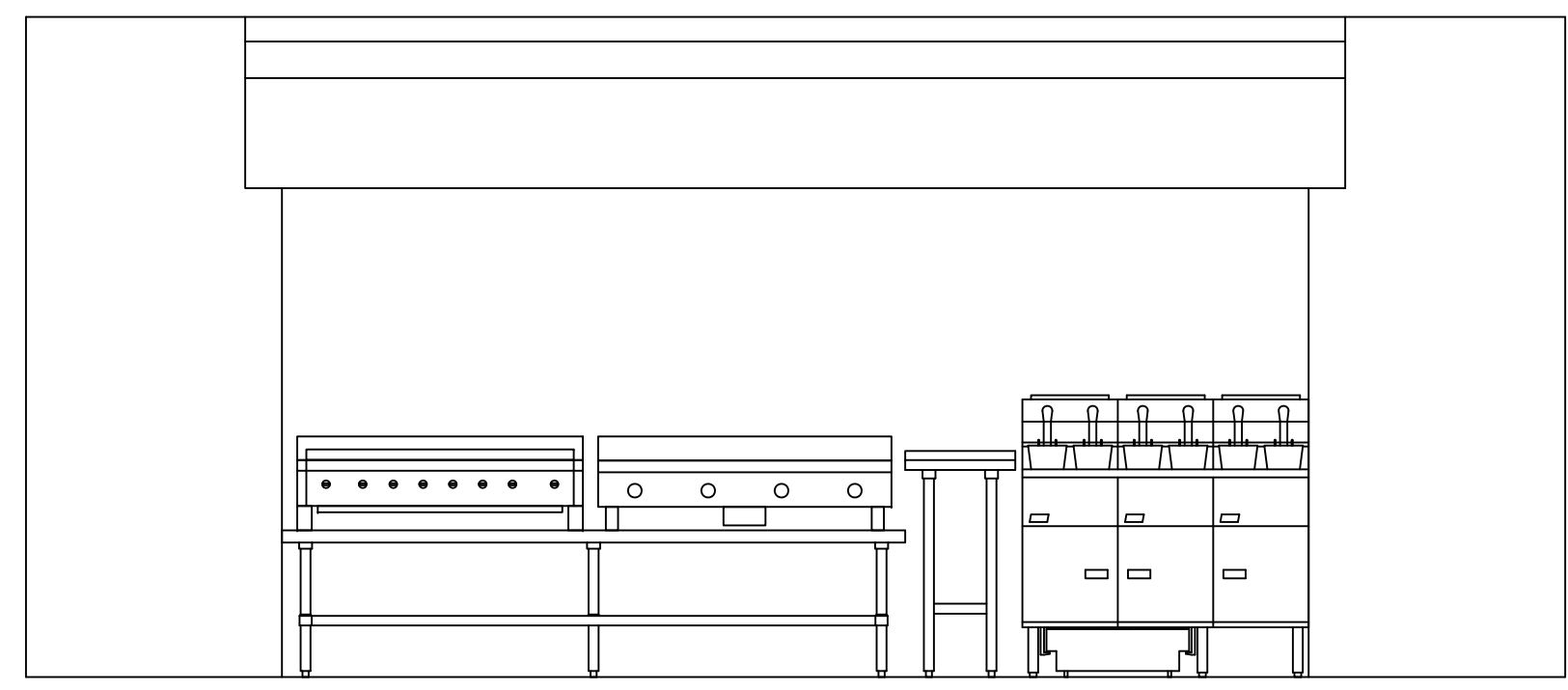
PROJECT: BRICK SOUTH KITCHEN DATE:  
DRAWN BY: T. MCARDLE CHECKED BY: T. MCARDLE  
SHEET TITLE: SHEET NO:

FOODSERVICE EQUIPMENT DETAILS AND ELEVATIONS FS-13

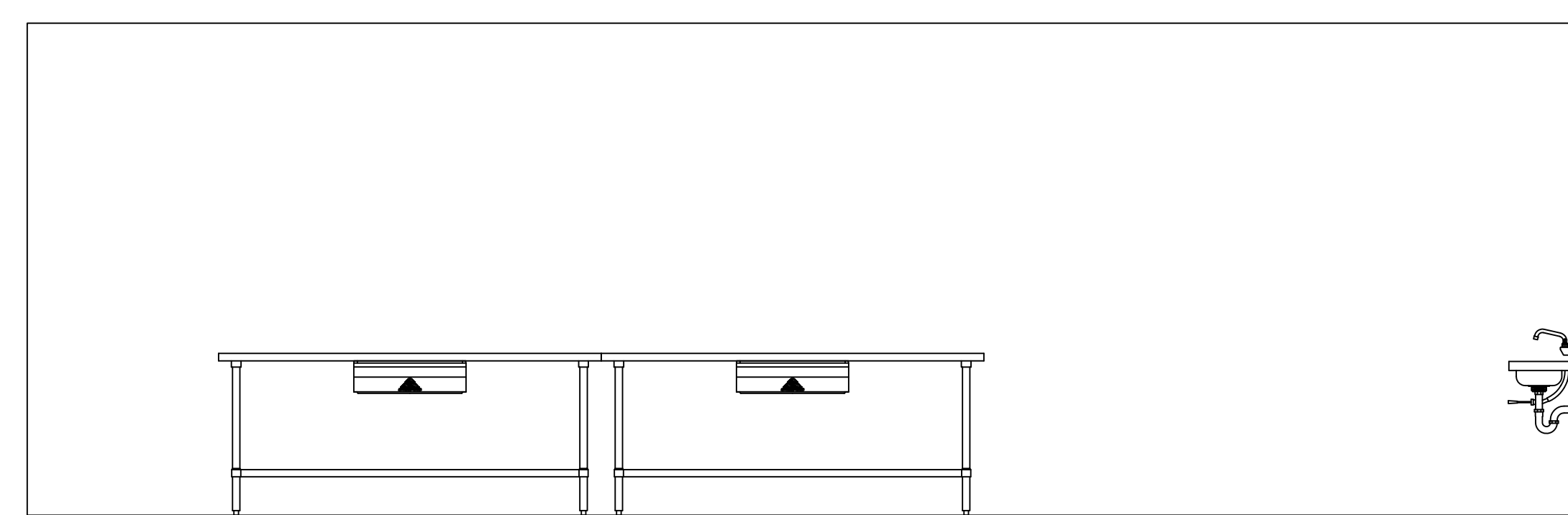
SCALE: 1/2"=1'-0"



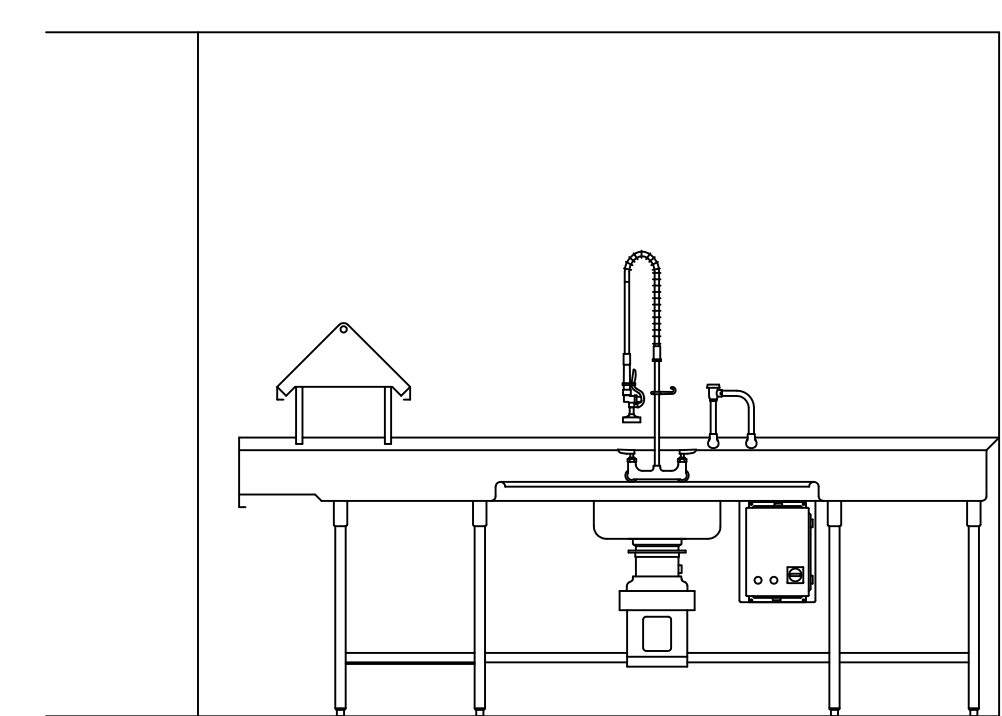
Detail and Elevation  
SCALE: 1/2"=1'-0"



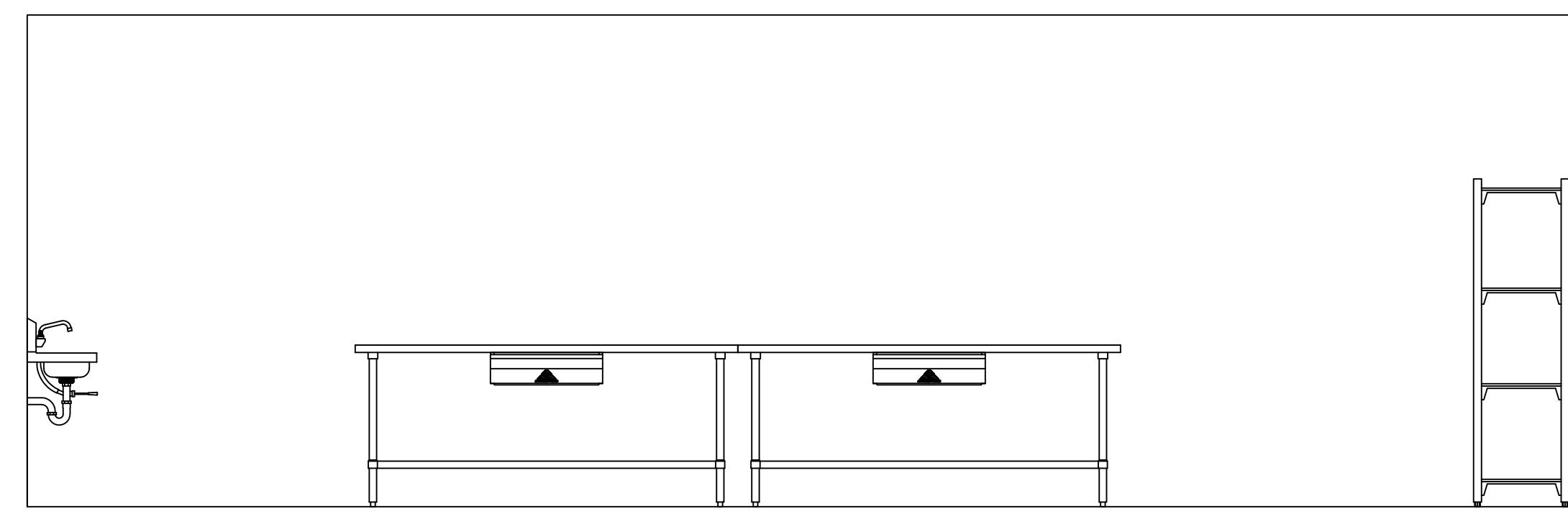
Detail and Elevation  
SCALE: 1/2"=1'-0"



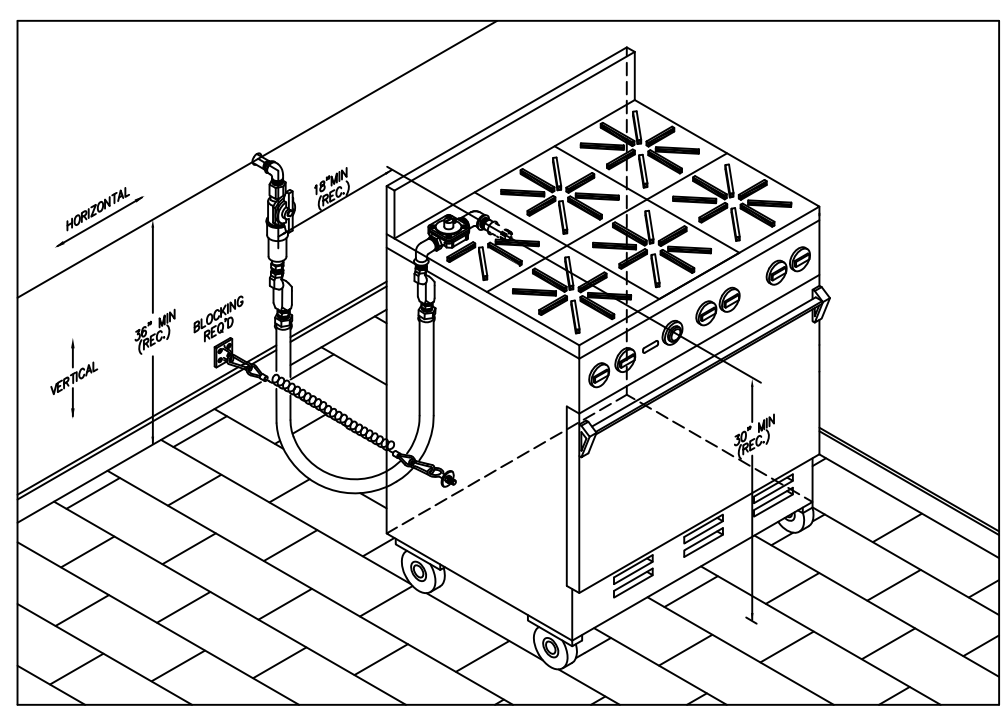
Detail and Elevation  
SCALE: 1/2"=1'-0"



Detail and Elevation  
SCALE: 1/2"=1'-0"



Detail and Elevation  
SCALE: 1/2"=1'-0"



Detail and Elevation  
SCALE: 1/2"=1'-0"