

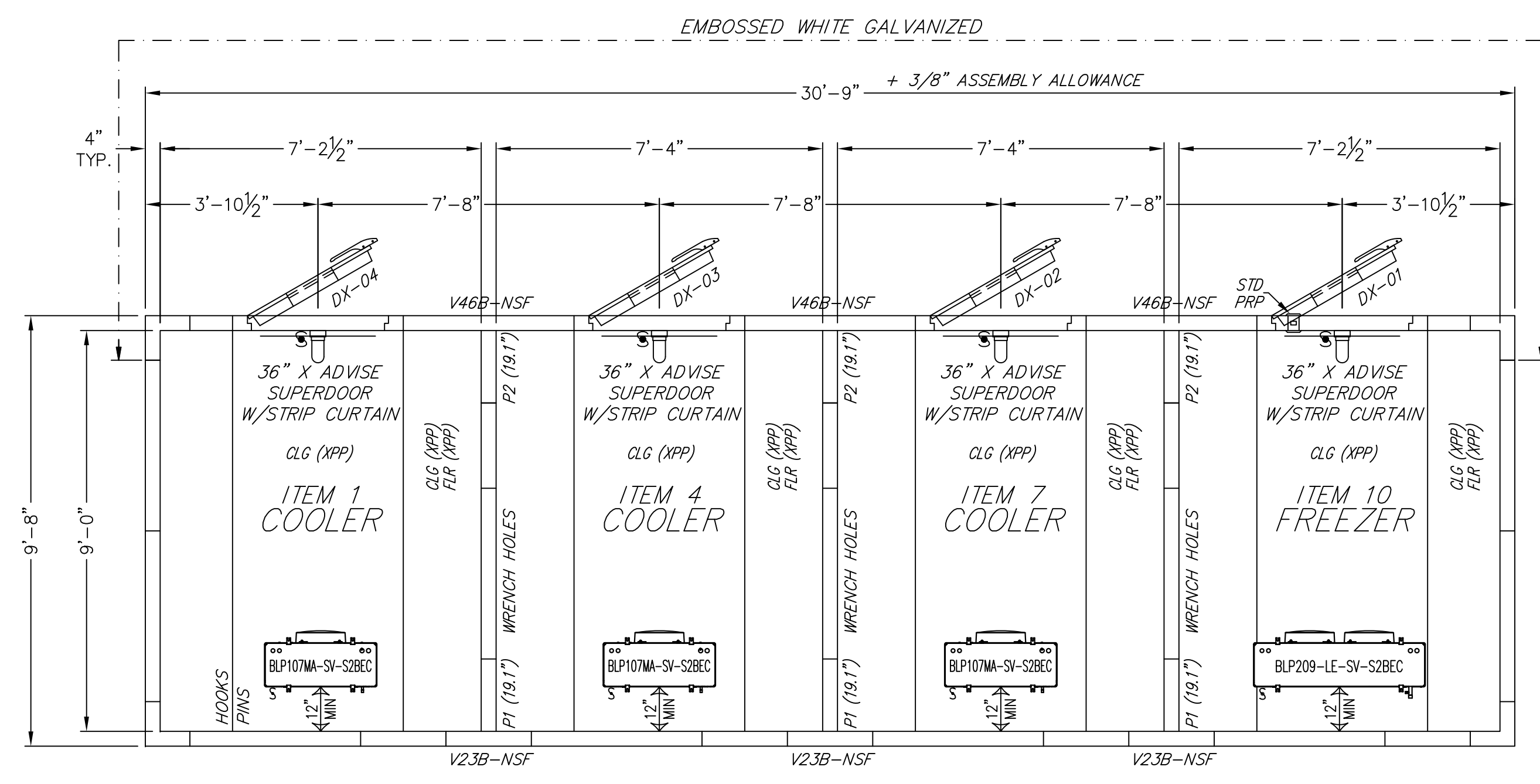
THOMPSON POINT - BRICK SOUTH
CATERING KITCHEN

THIS DRAWING AND ALL INFORMATION HEREIN ARE THE PROPERTY OF THE DESIGNER AND MAY NOT BE USED OR COPIED, EITHER IN WHOLE OR IN PART, WITHOUT THE EXPRESSED WRITTEN CONSENT OF THE DESIGNER

PROJECT: BRICK SOUTH KITCHEN
DRAWN BY: T. MCARDLE
CHECKED BY: T. MCARDLE
SHEET TITLE: SHEET NO:

FOODSERVICE EQUIPMENT
WALK-IN COOLER/FREEZER DETAILS FS-10

SCALE: 1/2"=1'-0"



- PLAN VIEW A -

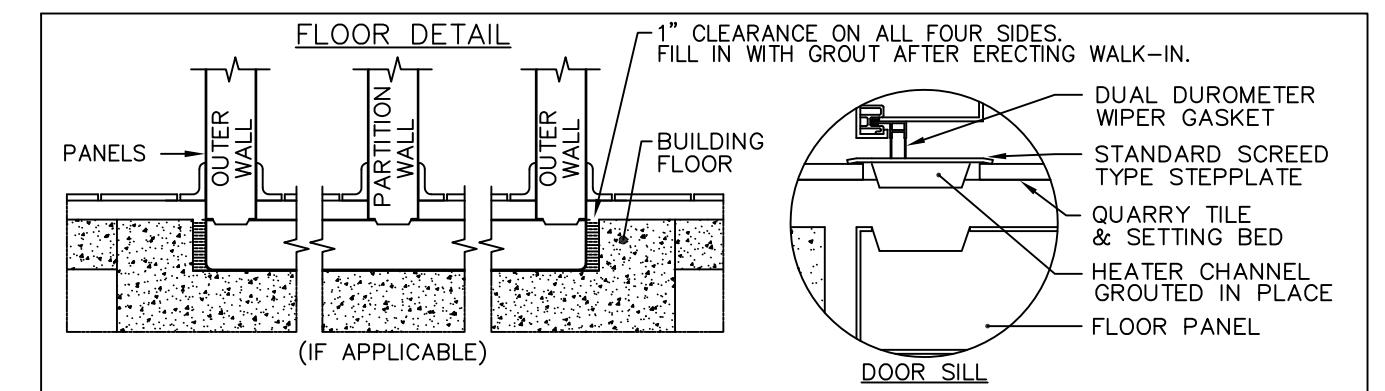
SPECIFICATIONS
30'-9" X 9'-8" X 8'-6"

- INSTALLATION**
 - INDOOR
 - LOADING HEIGHT - AT LEAST 18" OF OPEN SPACE MUST BE MAINTAINED BETWEEN TOP OF PRODUCT AND CEILING PANELS
- INSULATION**
 - FOAMED IN-PLACE POURED URETHANE
- EXTERIOR FINISH**
 - EMBOSSED WHITE GALVANIZED AS SHOWN
 - EMBOSSED WHITE GALVANIZED CEILING
 - EMBOSSED GALVALUME REMAINDER
- INTERIOR FINISH**
 - EMBOSSED WHITE GALVANIZED
- FLOOR FINISH**
 - (INTERIOR) 16GA. GALVANIZED STEEL
 - (EXTERIOR) EMBOSSED GALVALUME
- DOORS/ACCESSORIES**
 - (4) 36" X ADVISE RIGHT SWING HINGED WALK-IN DOOR
 - SUPERDOOR: 3RD HINGE, DT INT & EXT 36"H
 - PROP
 - STRIP CURTAIN
 - VAPOR-PROOF LIGHT W/ LED BULB
 - MODULAR 75LC W/ MAG CONTACTS, PANIC BUTTON, MOTION DETECTOR
 - 14" X 24" HEATED OBSERVATION WINDOW
 - EXTERIOR CROSSOVER CORD
- REFRIGERATION - BY BALLY (CONDENSING UNIT MOUNTED OUTDOORS)**
 - 1 2.5 R404A BH4025-16-H3WF 208-230/1/60 9.2 72.2 1 1.7 13.2 20 F
 - 3 0.6 R404A BH4006-18-H24B 208-230/1/60 4.8 26.5 1 1.7 7.5 15 C

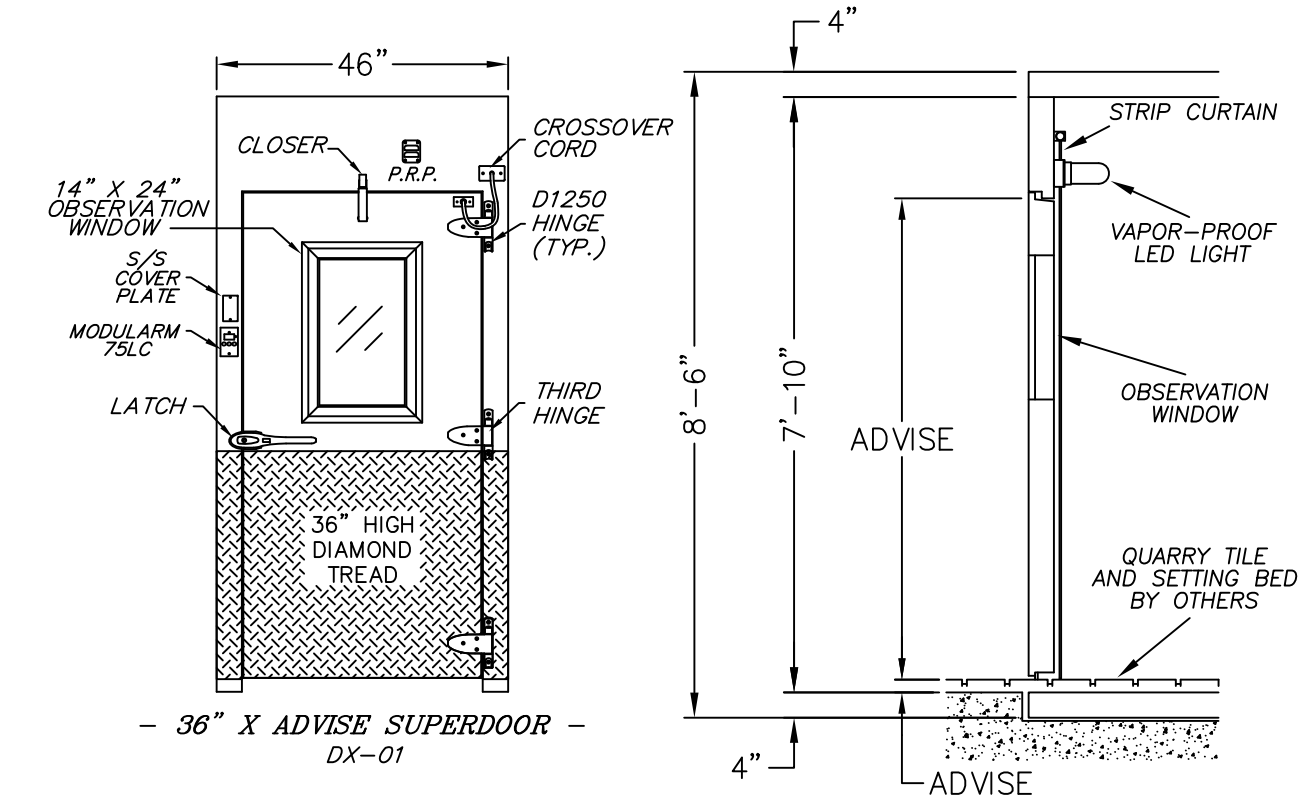
GENERAL NOTES

- NOTE: BALLY TO FURNISH (4) K1810 48" LED LIGHTS. LIGHTS SHIPPED LOOSE AND MOUNTED AND WIRED BY OTHERS. (LIGHT SWITCH (12) AMPS MAX).
- NOTE: BALLY TO FURNISH EW CLOSURE TRIM. PLEASE ADVISE SIZE AND QUANTITY. ALL FASTENERS AND INSTALLATION BY OTHERS.

TILE THICKNESS
TO STOP TILE CRACKS OVER BALLY FLOORS, BALLY RECOMMENDS MINIMUM 2" TILE AND SETTING BED.

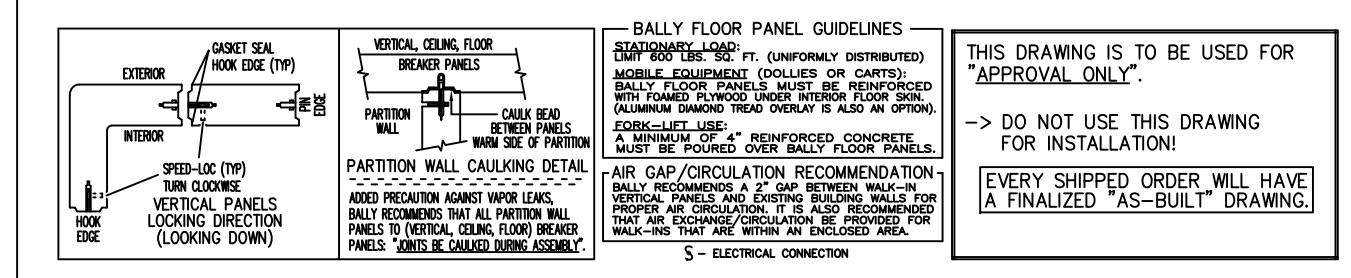


NOTE: BEARING SURFACE UNDER FLOOR PANELS MUST BE LEVEL AND DRY. BOTTOM OF PANELS MUST HAVE AT LEAST 80% CONTACT WITH FLOORS.
NOTE: IF MOISTURE IS PRESENT UNDER BUILDING FLOOR, A VAPOR BARRIER MUST BE APPLIED BETWEEN BUILDING FLOOR AND PREFAB PANELS.
NOTE: BALLY TO FURNISH THE PREFAB SECTIONAL WALK-IN COOLER OR FREEZER ONLY (UNLESS OTHERWISE SPECIFIED). THIS INCLUDES WALLS AND CEILING PANELS.
NOTE: THESE DRAWINGS ARE INTENDED TO SERVE AS GUIDE LINE DRAWINGS ONLY. THEY ARE NOT INTENDED TO BE CONSTRUCTION DRAWINGS AS CONDITIONS MAY VARY WIDELY. DIMENSIONAL AND MATERIAL DESIGN TO BE DETERMINED BY PROJECT CONSTRUCTION ENGINEER.



- SECTION VIEW OF THRU ENTRANCE DOOR

SHEET 1 OF 2



RESTRICTED, CONFIDENTIAL DOCUMENT.

SIGNED APPROVAL
SIGNED _____
DATE _____

IMPORTANT - PLEASE READ
THESE DRAWINGS ARE NOT TO BE CONSIDERED AS APPROVED BY LOCAL OR STATE BUILDING AUTHORITIES. THEY HAVE BEEN PREPARED SOLELY FOR THE GUIDANCE OF REGISTERED ARCHITECTS AND ENGINEERS AND FOR THE ASSISTANCE OF LOCAL JOSEPH ENGINEERS. THIS INCLUDES STRUCTURAL DESIGN AS WELL AS ENGINEERING. THESE DRAWINGS ARE NOT TO BE USED FOR ANY OTHER PURPOSES WITHOUT THE WRITTEN CONSENT OF THE DESIGNER.

Bally
REFRIGERATED BOXES INC.
FOR
THOMPSON POINT

PLEASE READ
THIS DRAWING HAS BEEN CAREFULLY CHECKED BY OUR DRAFTING DEPARTMENT. HOWEVER, ERRORS OF INTERPRETATION CAN OCCUR. BEFORE YOU BEGIN DRAWING, APPROVED, BE CERTAIN THAT YOU CHECK THEM CAREFULLY.
NOTE - THIS SHEET WILL NOT BE SCHEDULED FOR PRODUCTION UNTIL RECEIPT OF APPROVED DRAWINGS BY BALLY.

THIS DRAWING AND SPECIFICATIONS DESCRIBE A BUILDING ASSEMBLED FROM BALLY PANELS INSULATED WITH URETHANE, "FOAMED-IN-PLACE". THE SIZE AND SHAPE IS THAT WHICH MOST CLEARLY MEETS DIMENSIONS SUBMITTED BY THE USER. BALLY REFRIGERATED BOXES INC. PROVIDES PANELS FREQUENTLY SPECIFIED BY OTHERS, AND IS NOT RESPONSIBLE FOR THE SELECTION OR RECOMMENDATION BY OTHERS OF THE PANEL FINISH FOR ANY BUILDING OR WALK-IN APPLICATION.

DRAWING NUMBER: 5071916AD
DATE: 07/25/16
ORDER NUMBER: 5071916

REV	DESCRIPTION	BY	DATE
-----	-------------	----	------