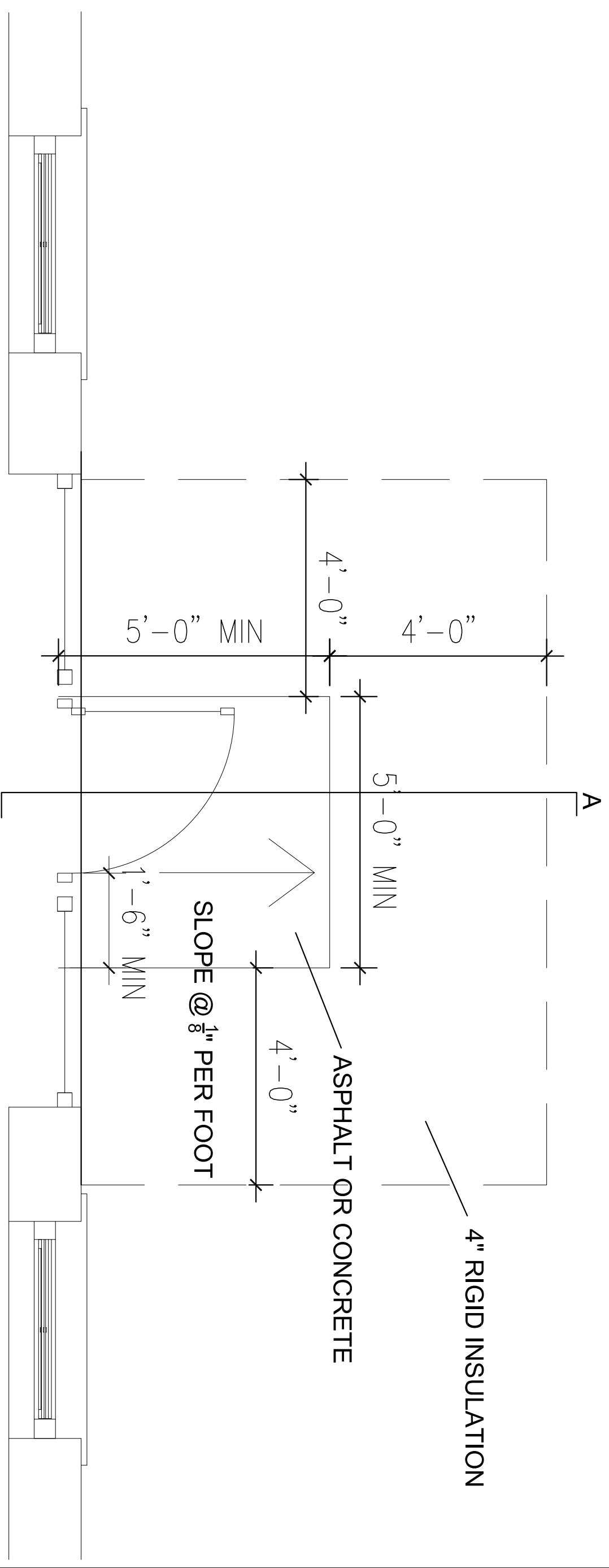


SECTION A



SK01	ENTRY PAD	Date: 9 FEB 2016	Scale: 1/2"= 1'-0"	 48 Union Wharf Portland, Maine 04101 (207) 772-6022 Fax (207) 772-4056
	Project: BRICK NORTH CRYPTOZOOLOGY MUSEUM	ENTRY PAD DETAILS		
	THOMPSON'S POINT PORTLAND, ME			