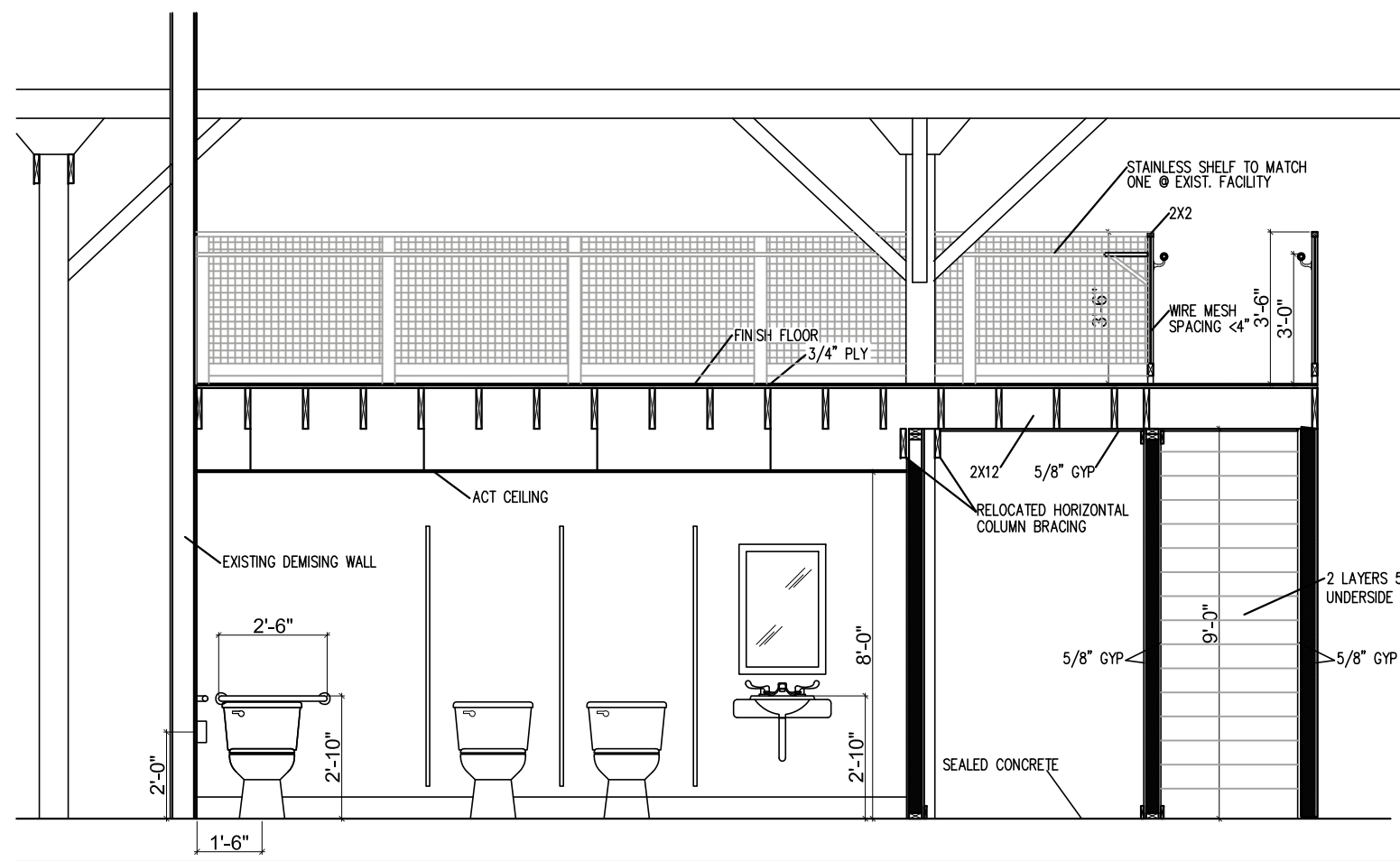
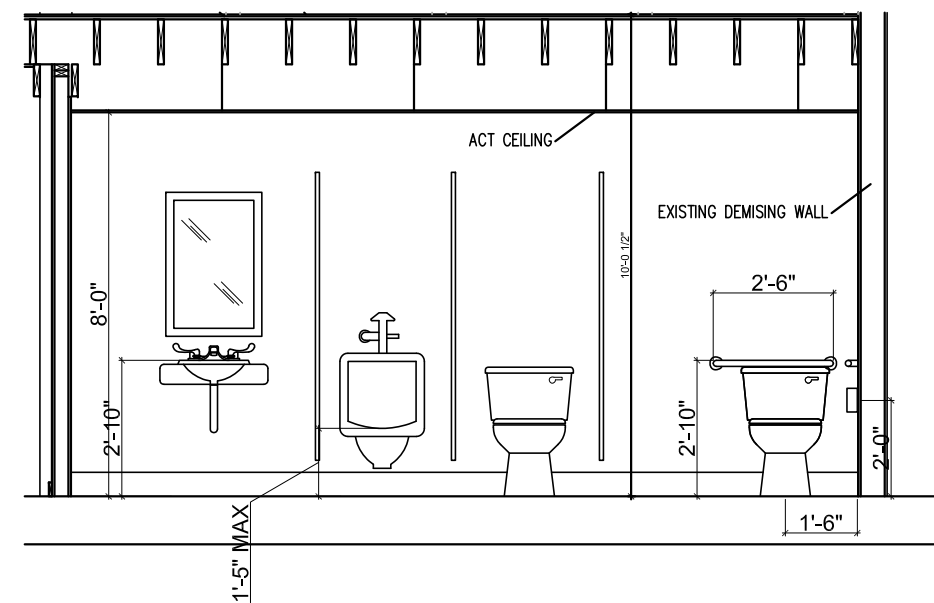


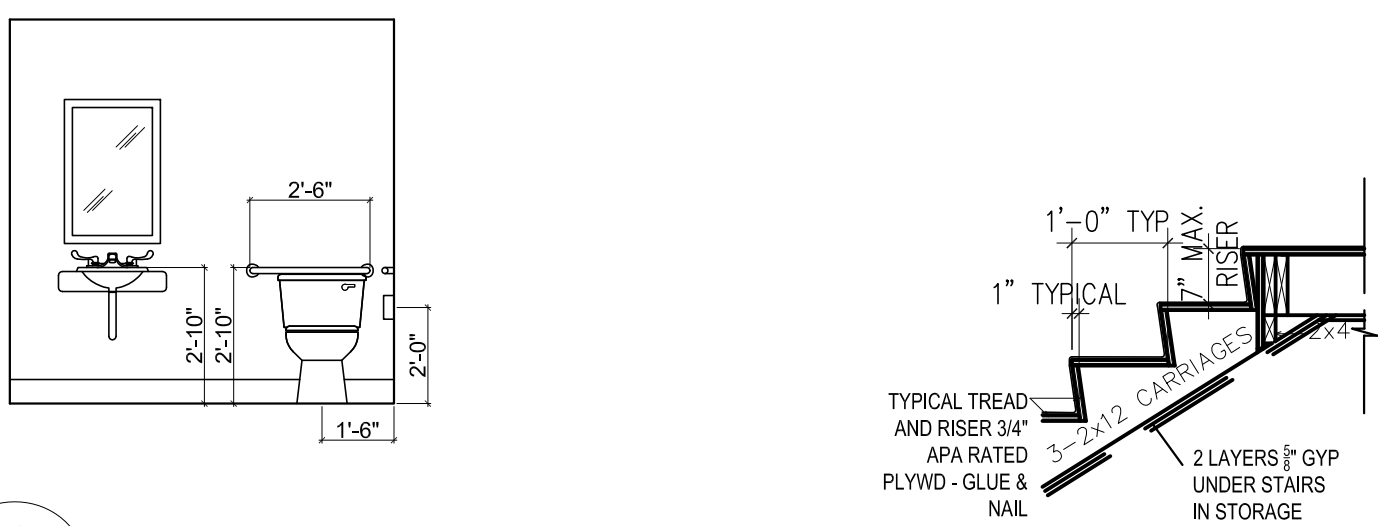
1 SECTION  
A1.02 1/8" = 1'-0"



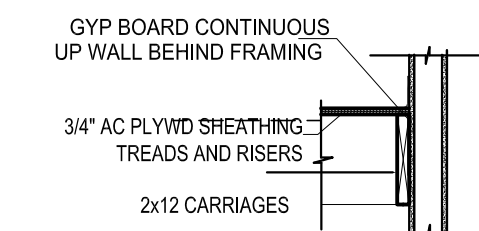
2 SECTION - WOMEN'S/MEZZ  
A1.02 1/4" = 1'-0"



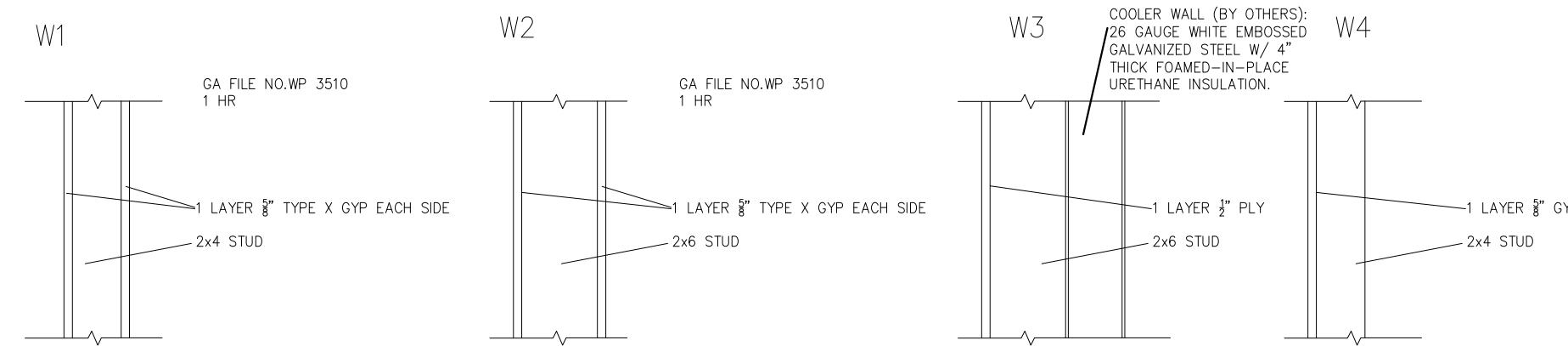
3 MEN'S INTERIOR ELEV  
A1.02 1/4" = 1'-0"



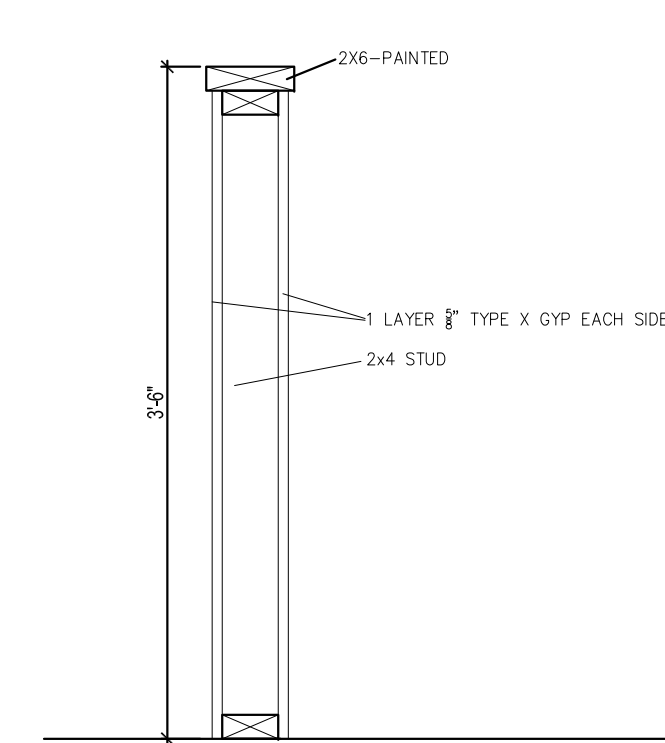
4 OFFICE BATHROOM  
A1.02 1/4" = 1'-0"



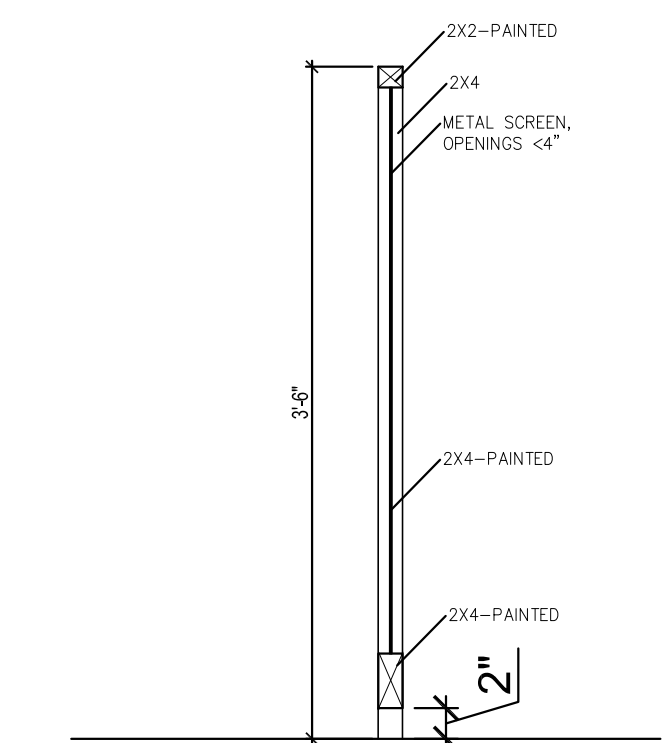
8 STAIR DETAILS  
A1.02 1" = 1'-0"



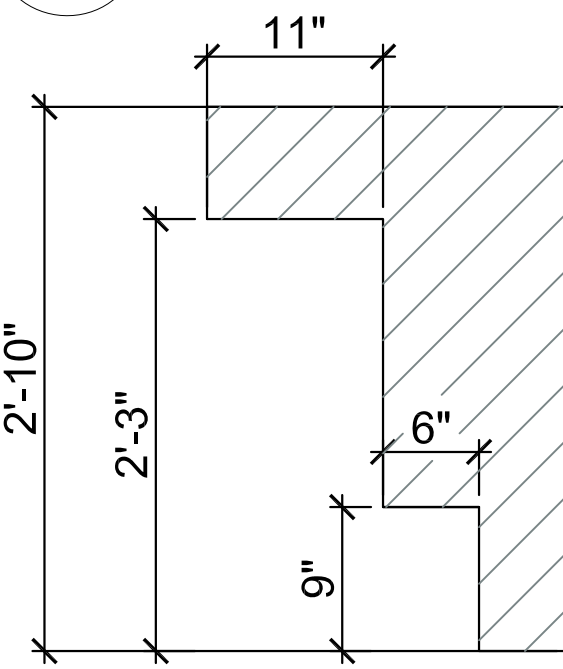
5 WALL TYPES  
A1.02 1" = 1'-0"



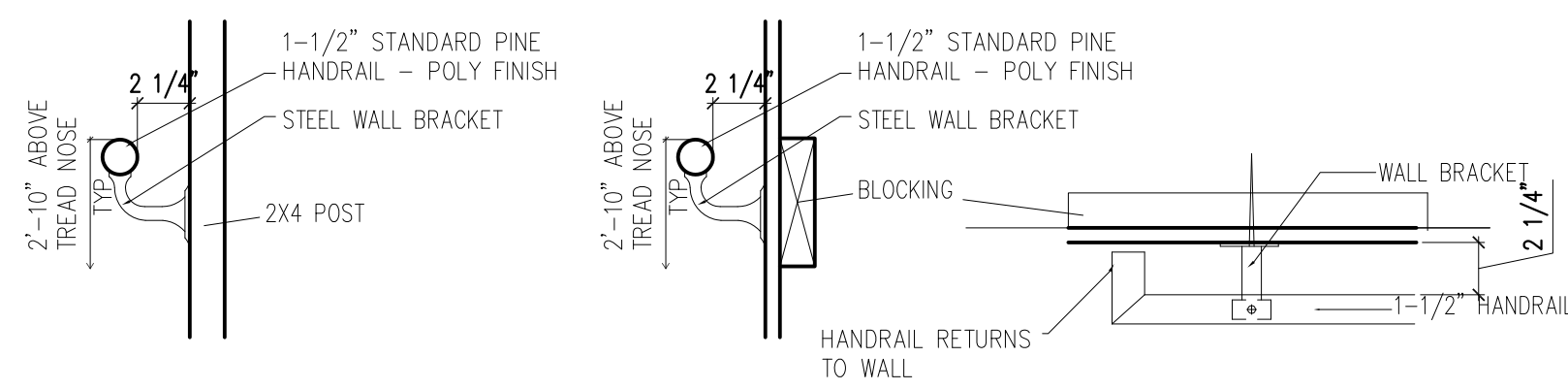
6 HALF WALL  
A1.02 1" = 1'-0"



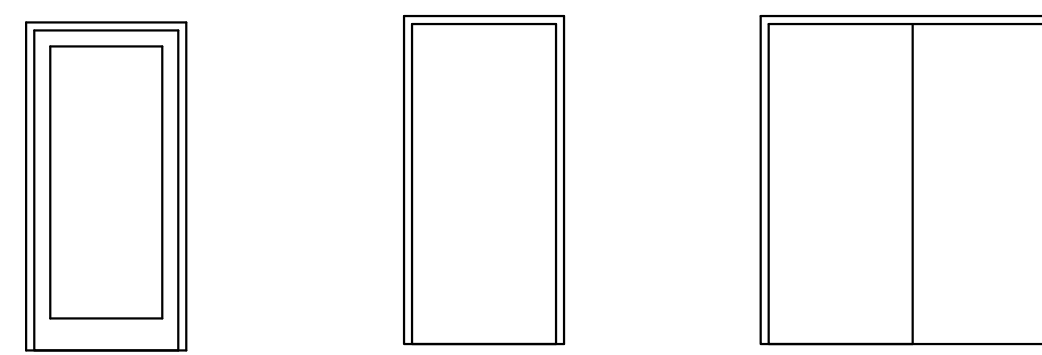
7 MEZZANINE/STAIR GUARD  
A1.02 1" = 1'-0"



13 ADA BAR REQUIREMENTS  
A1.02 1" = 1'-0"

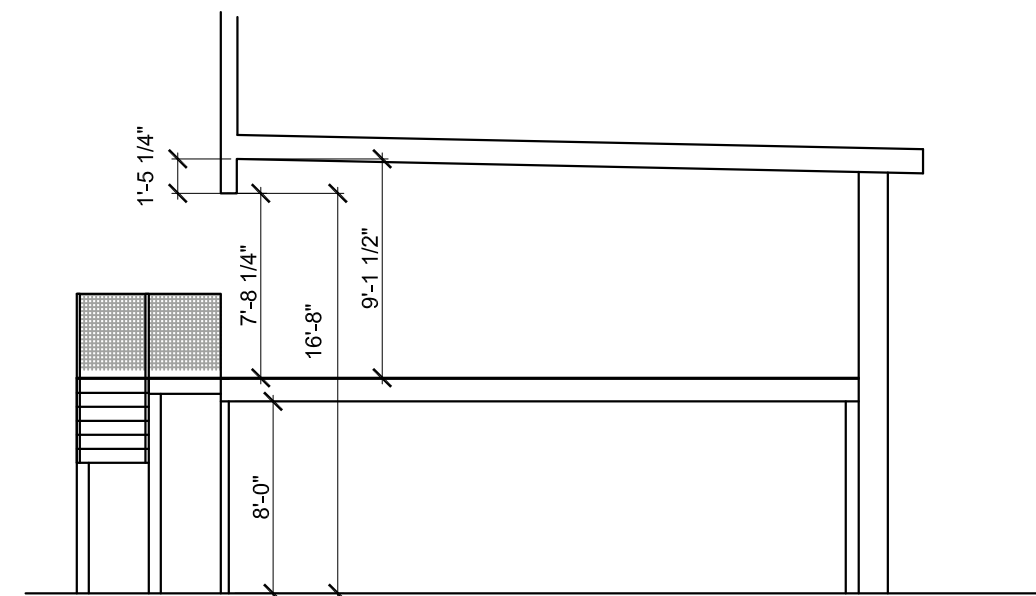


9 HANDRAIL DETAILS  
A1.02 1 1/2" = 1'-0"



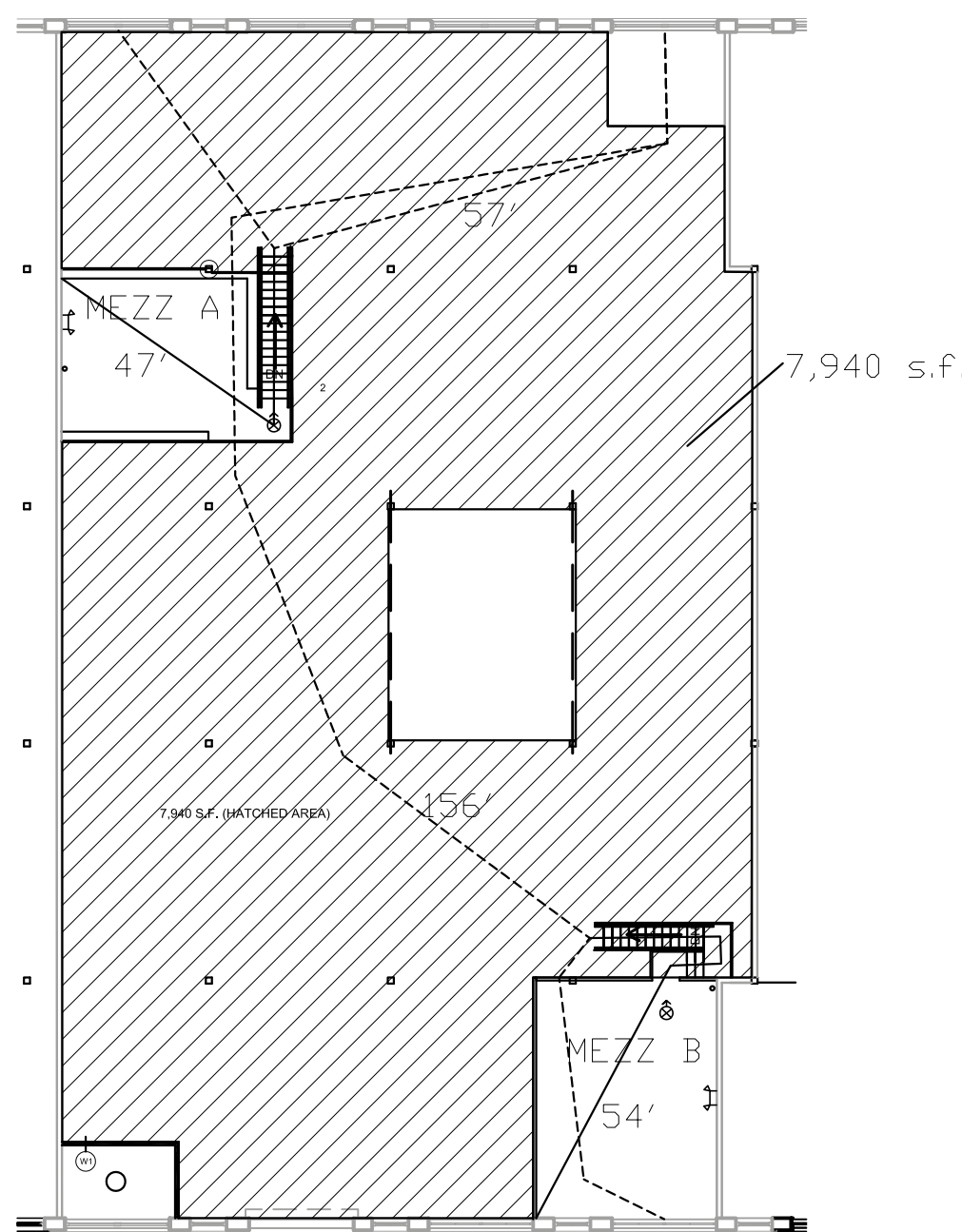
A HOLLOW METAL - FULL LITE FLUSH DOOR  
B HOLLOW METAL FLUSH DOOR  
C HOLLOW METAL DOUBLE FLUSH DOOR

10 STAIR DETAILS  
A1.02 1" = 1'-0"



12 MEZZANINE SECTION  
A1.02 1" = 1'-0"

MEZZANINE OVERLOOKING & TRAVEL DISTANCES



# DOOR SCHEDULE

AMENDMENT TO PERMIT 201502880  
DOOR ADDED FOR VESTIBULE RECONFIGURATION

DOORS						
MARK	TYPE	SIZE	F.R.	HARDWARE SET	MAT.	REMARKS
101	A	3'-0" x 7'-0"		PUSH/PULL CLOSER	HM-FULL LITE	EXIT LOCKSET
101A	A	3'-0" x 7'-0"		PUSH/PULL CLOSER	HM-FULL LITE	EXIT LOCKSET
102	B	3'-0" x 7'-0"		EGRESS LOCKSET	HM	
103	B	3'-0" x 7'-0"		PUSH/PULL CLOSER	HM	
104	B	3'-0" x 7'-0"		PUSH/PULL CLOSER	HM	
105	B	3'-0" x 7'-0"				INSULATED - BY OTHERS
106	B	3'-0" x 7'-0"			HM	
107	B	3'-0" x 7'-0"			HM	
108	C	203'-0" x 7'-0"		PUSH/PULL CLOSER	HM	
109	B	3'-0" x 7'-0"				INSULATED SLIDER - BY OTHERS
110	B	2'-6" x 7'-0"		STOREROOM LOCK	HM	

11 STAIR DETAILS  
A1.02 1" = 1'-0"

## CODE ANALYSIS

CONSTRUCTION TYPE 3B, SPRINKLED

OCCUPANCY TYPE: F2 & A2  
SQUARE FOOTAGE:

F2 - 1ST FLOOR 8,028 S.F./300 = 26 OCCUPANTS IBC 2009 TABLE 1004.1.1  
STORAGE/ STOCK/ SHIPPING AREAS  
MEZZANINE 560 S.F./100 = 5 OCCUPANTS IBC 2009 TABLE 1004.1.1  
BUSINESS AREAS  
TOTAL = 31 OCCUPANTS (15 MEN, 15 WOMEN)

UNIFORM PLUMBING CODE  
MEN - 1 TOILET, WOMEN - 1 TOILET  
IBC  
MEN - 1 TOILET, WOMEN - 1 TOILET  
AVAILABLE - 1 UNISEX IN ADDITION TO OTHER BATHROOMS

A2 - 1ST FLOOR 1,466 S.F./7 = 209 OCCUPANTS  
MEZZANINE 424 S.F./15 = 28 OCCUPANTS  
TOTAL = 237 OCCUPANTS (118 MEN, 118 WOMEN)

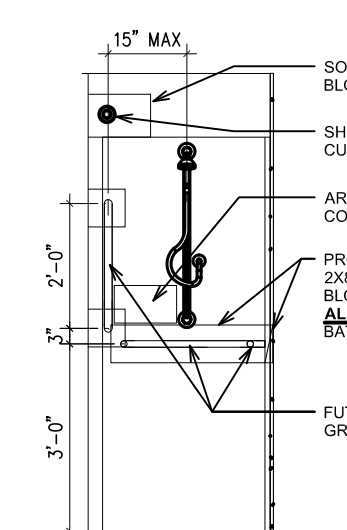
UNIFORM PLUMBING CODE:  
MEN - 2 TOILETS, 1 URINAL, 1 LAV  
WOMEN - 2 TOILETS, 1 LAV  
WOMEN BUMP UP TO 3 TOILETS BASED ON FOOTNOTE #14

IBC 2009 IBC 2009 2902.1  
MEN - 2 TOILETS, 1 URINAL, 1 LAV  
WOMEN - 3 TOILET, 1 LAV

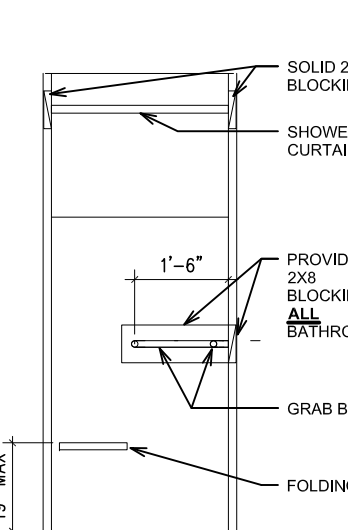
MEZZANINES -  
424 S.F. + 560 S.F. = 984 S.F. (< 1/3 OVERLOOKING)  
OVERLOOKING 7,940 S.F. (7,940 S.F./3=2,646) IBC 2009 505.2

MEZZ TRAVEL DISTANCES TO 2 DISTINCT PATHS  
MEZZ A - 47', MEZZ B - 54'  
PATH < 75'  
SINGLE EGRESS FROM MEZZANINE IBC 1014.3  
TOTAL TRAVEL DISTANCE IBC 505.3  
LONGEST OPTION -  
MEZZ A - 47'+57' = 104' (< 250') IBC TABLE 1016.1  
MEZZ B - 54'+156' = 210' (< 400')

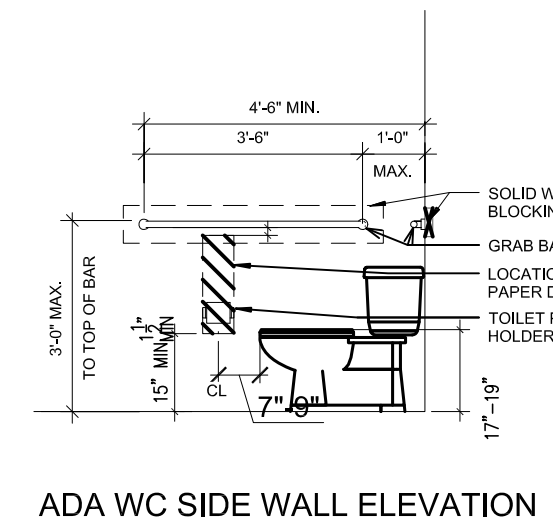
DEAD END CORRIDDOR 20' IBC 1018.4



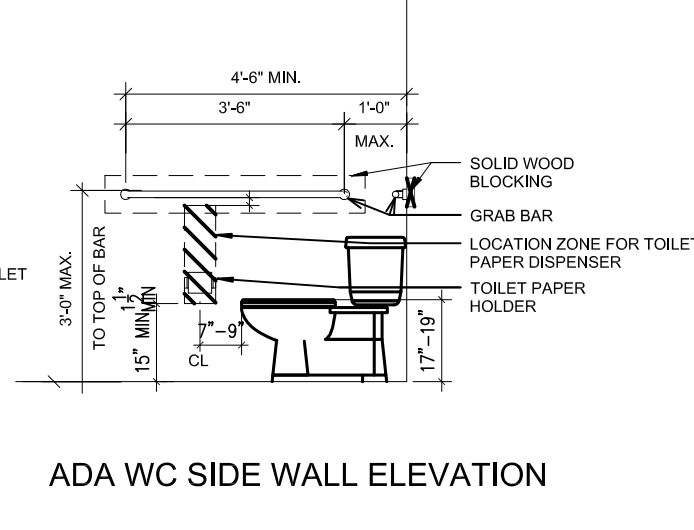
ADA SHOWER SIDE WALL OPPOSITE SEAT - ELEVATION



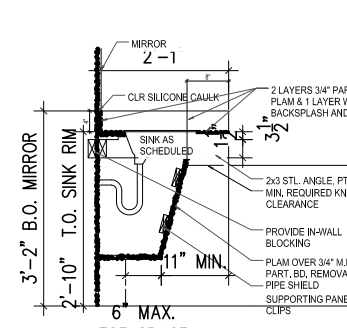
ADA SHOWER REAR WALL - ELEVATION



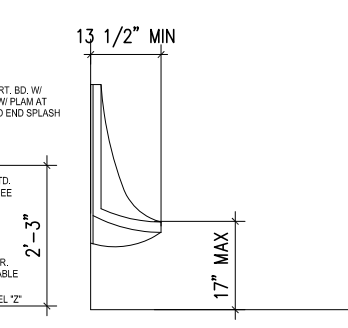
ADA WC SIDE WALL ELEVATION



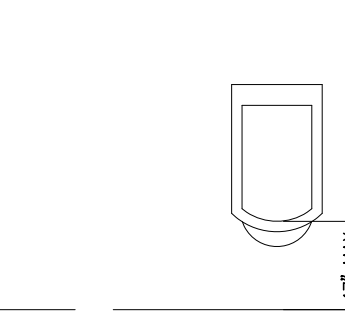
ADA WC SIDE WALL ELEVATION



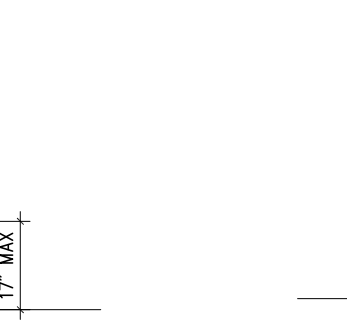
ADA LAV SECTION



ADA URINAL SECTION



ADA URINAL FRONT ELEVATION



ADA LAV FRONT ELEVATION



Prepared For:

Consultant:

Architect:

Project:

Revisions:

Scale: AS NOTED

Date: 11-20-2015

11-20-2015 SUBMITTED FOR PERMIT  
2-1-2016 RESPONSES TO BUILDING INSPECTIONS  
2-5-2016 RESPONSES TO BUILDING INSPECTIONS  
3-14-2016 AMENDMENT TO PERMIT

BRICK NORTH  
BISSELL BROTHERS

THOMPSON'S POINT,  
PORTLAND ME

ARCHETYPE  
48 Union Wharf Portland, Maine 04101  
(207) 772-6022 Fax (207) 772-4056

SECTIONS, DOORS  
& DETAILS

A1.02