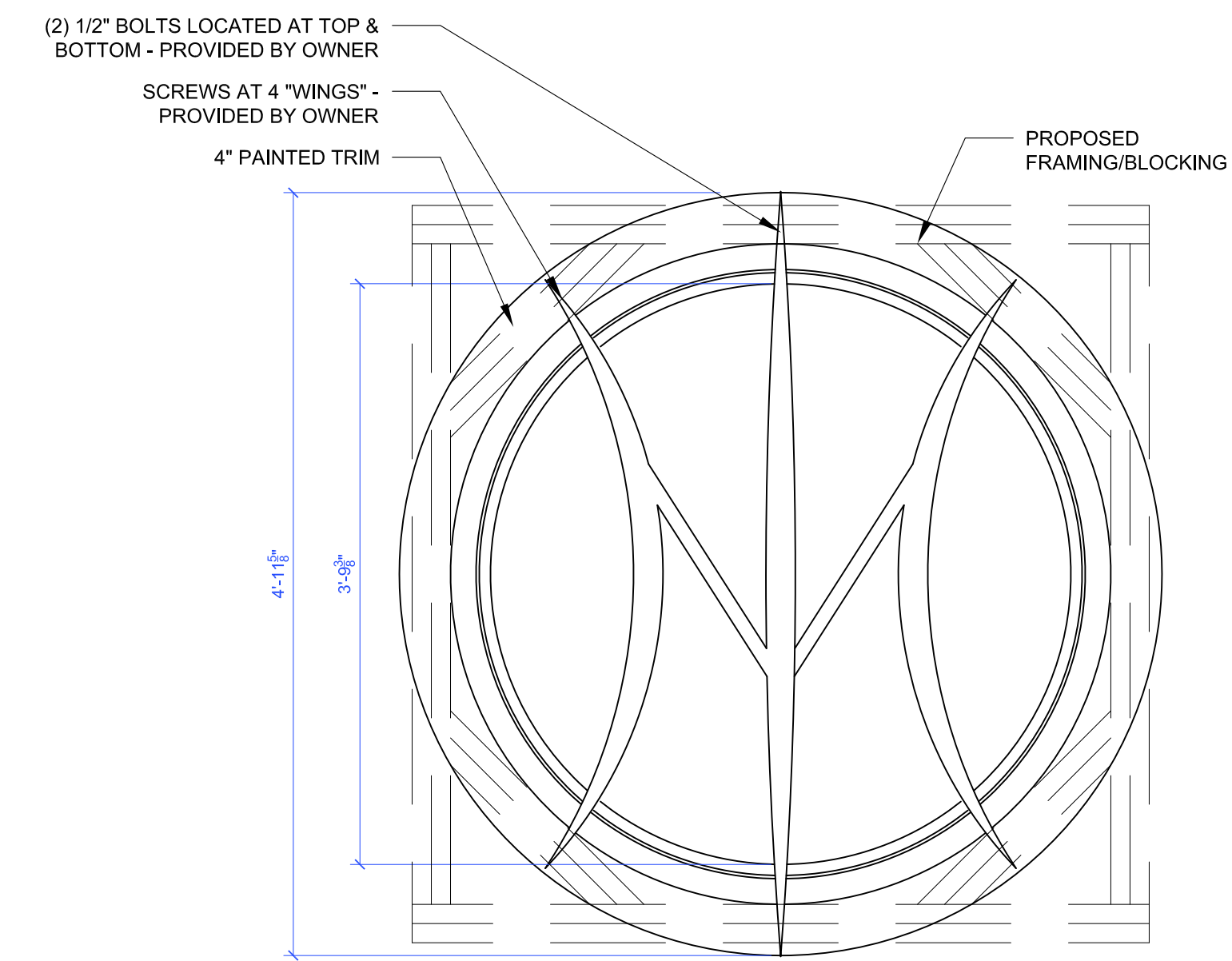
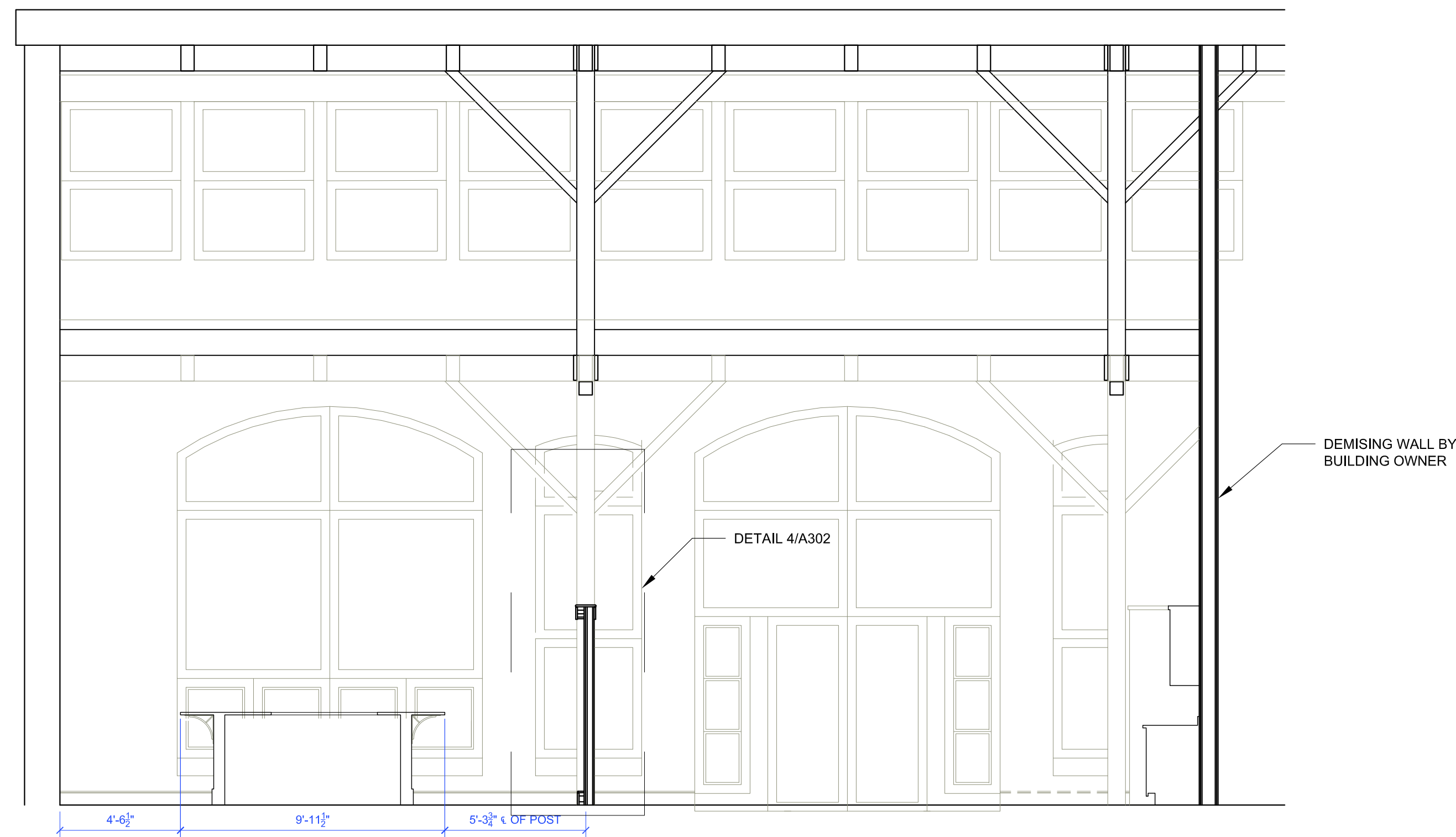


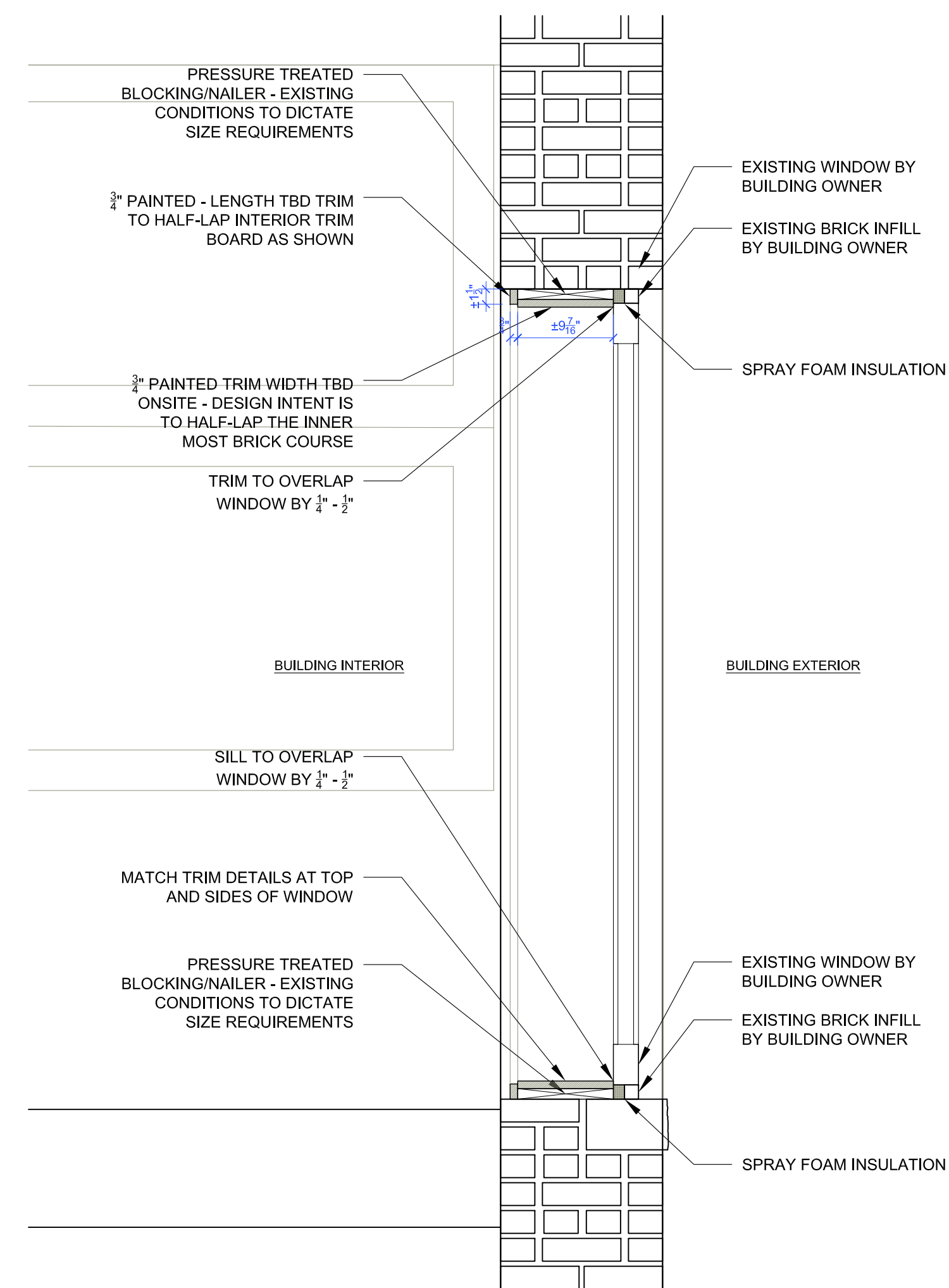
1 SECTION E-E  
 A302 SCALE: 1/4" = 1' - 0"



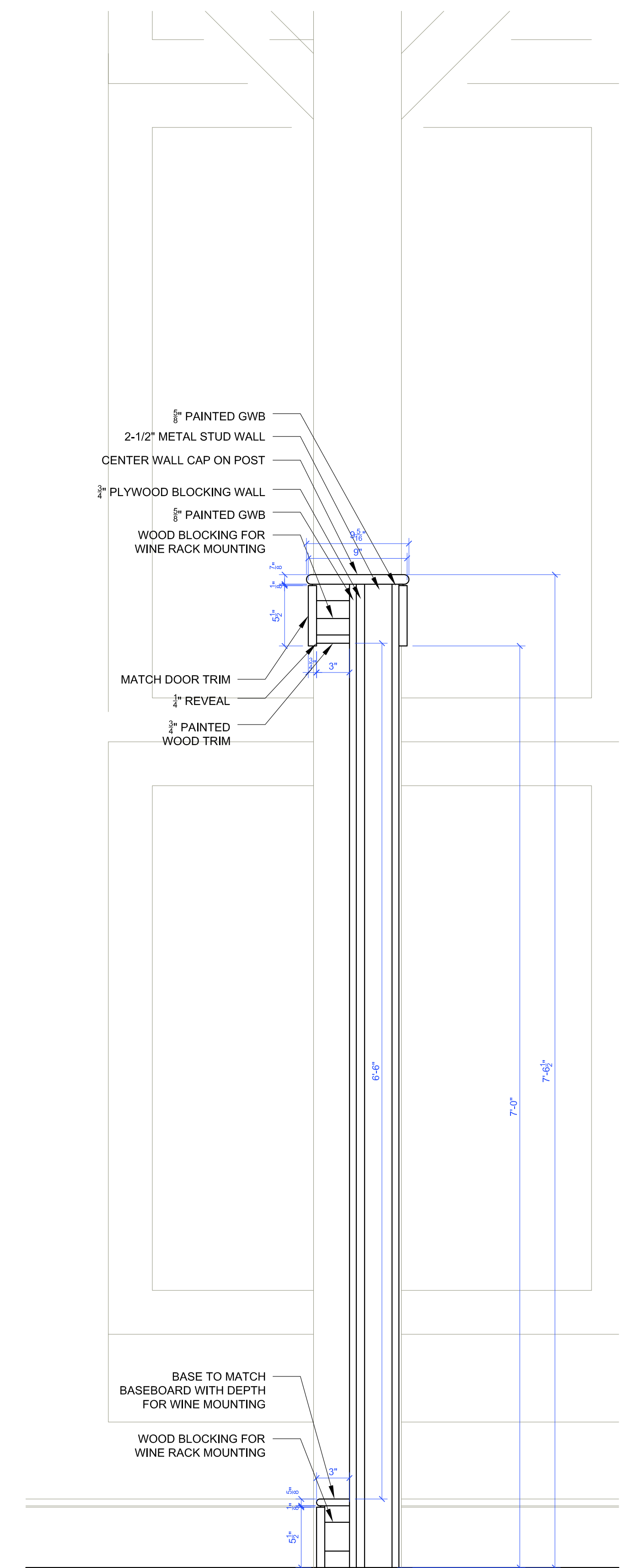
3 PROPOSED WINDOW FRAMING & HOBO MOUNTING LOCATIONS  
 A302 SCALE: 1" = 1' - 0"



2 SECTION F-F  
 A302 SCALE: 1/4" = 1' - 0"



4 COMPLETE WINDOW CASING DETAILS FOR UPPER WINDOWS (EAST WALL)  
 A302 SCALE: 1" = 1' - 0"



5 WINE WALL DETAIL  
 A302 SCALE: 1-1/2" = 1' - 0"