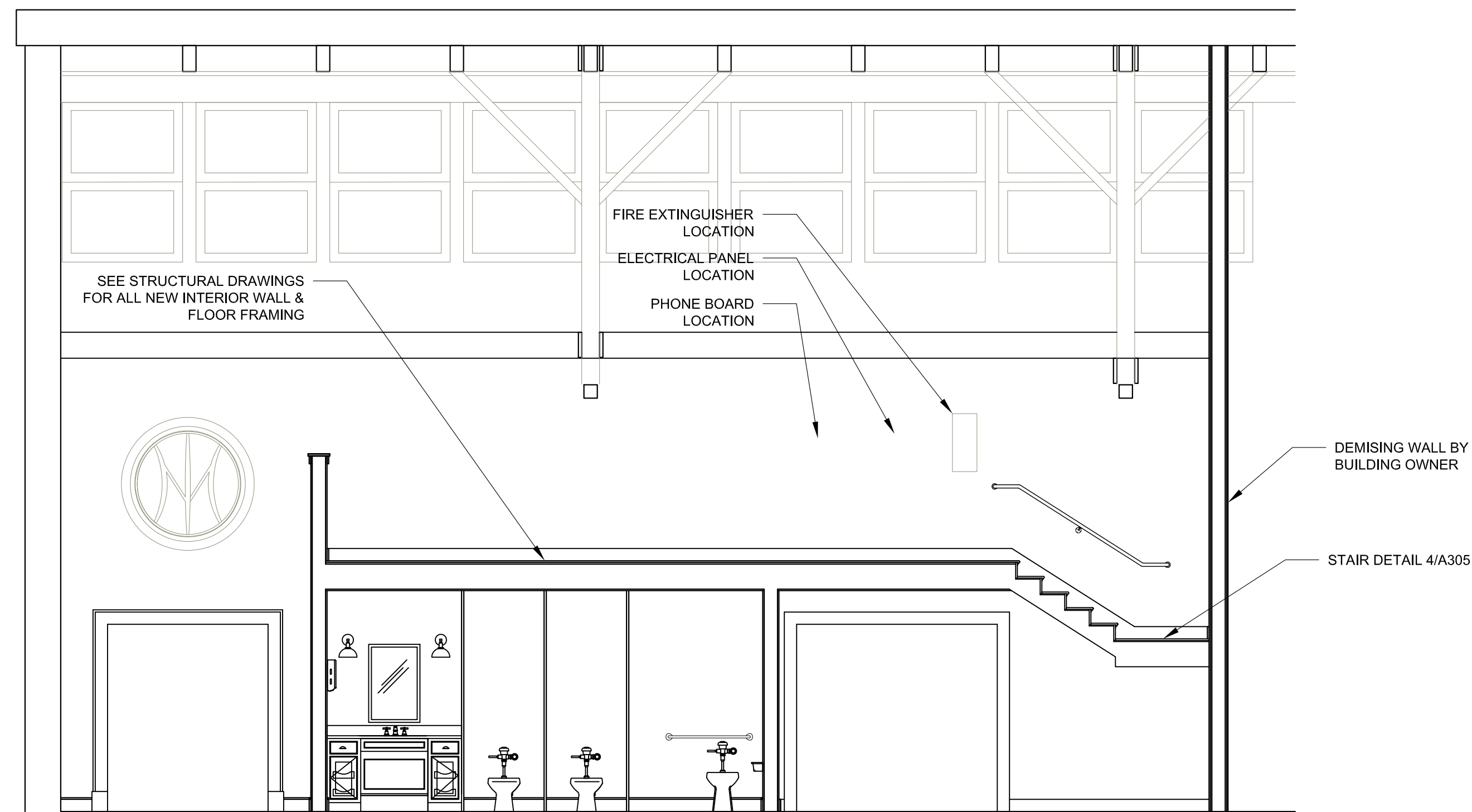
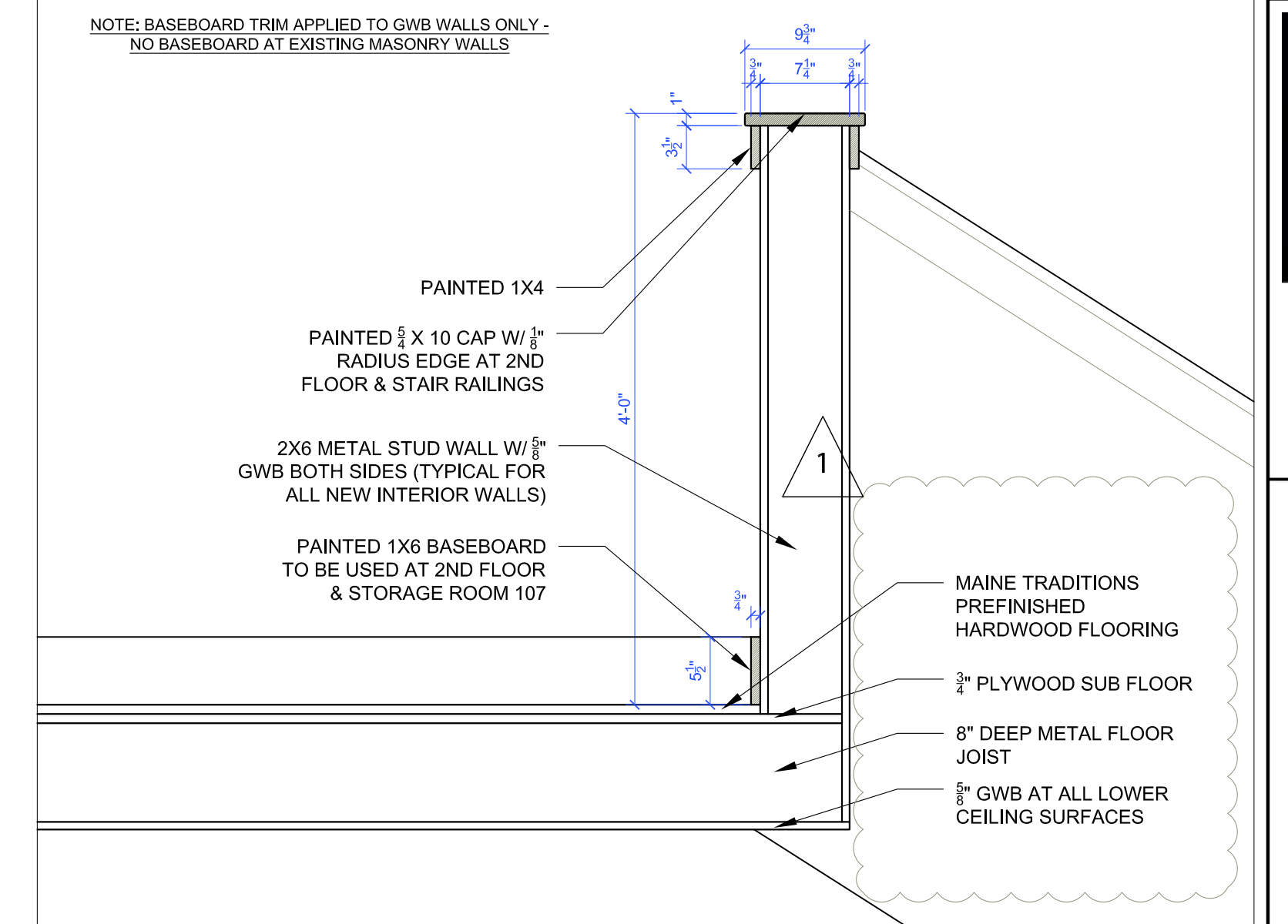


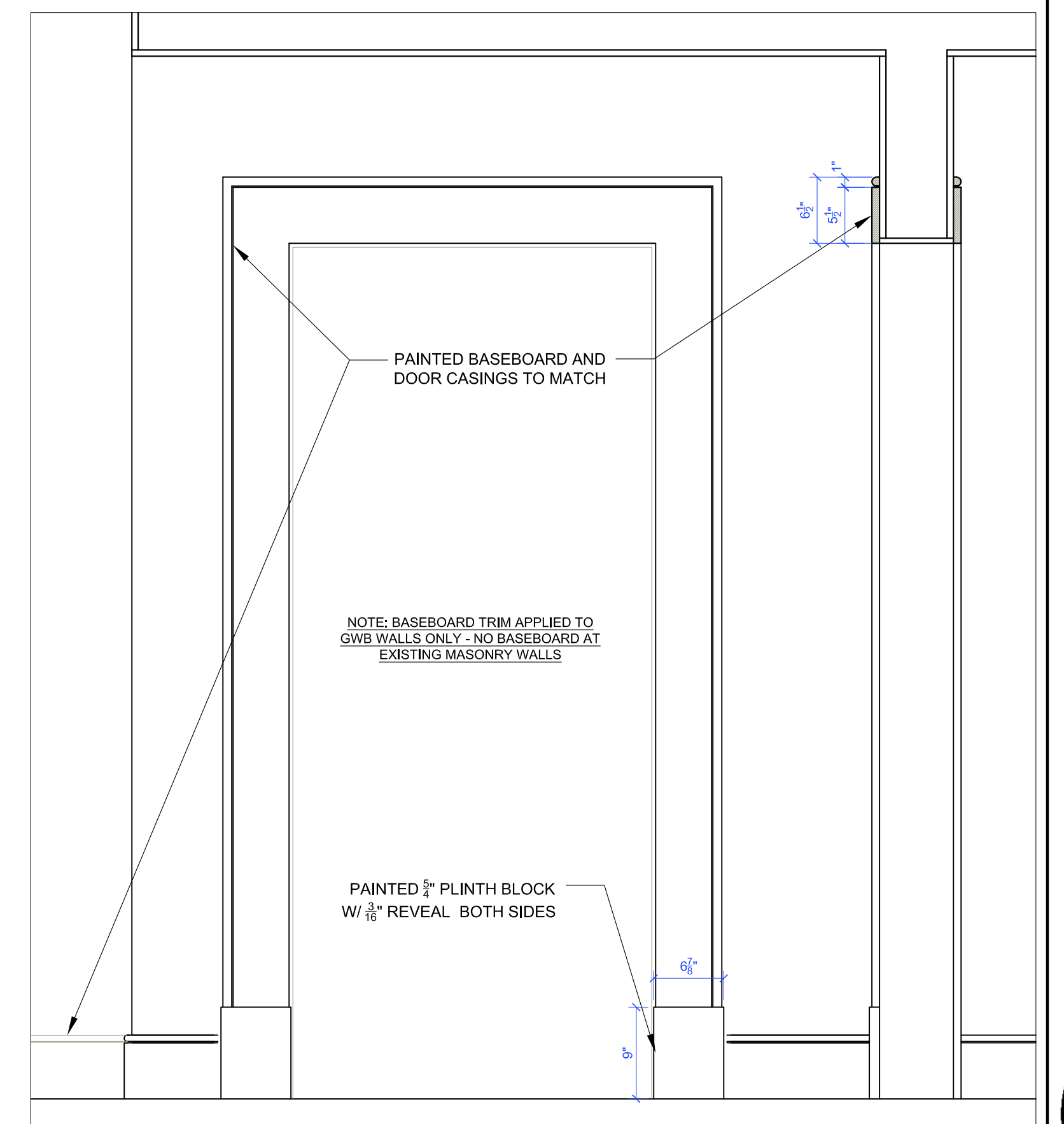
1 SECTION C-C
A301 SCALE: 1/4" = 1' - 0"



2 SECTION D-D
A301 SCALE: 1/4" = 1' - 0"



3 2ND FLOOR BASEBOARD AND RAILING DETAIL
A301 SCALE: 1" = 1' - 0"



4 1ST FLOOR BASEBOARD & DOOR TRIM DETAIL
A301 SCALE: 1" = 1' - 0"



446 WEST STREET
ROCKFORD, ME 04856
TEL: 207 230 0034
FAX: 207 230 0274
PHIHOMEDESIGNS.COM
©PHI HOME DESIGNS LLC

CELLARDOOR AT THE POINT
THOMPSON'S POINT PORTLAND, MAINE
OWNER: CELLARDOOR WINERY



REVISION DATE:
MARCH 16, 2016

DATE:
FEBRUARY 9, 2016

DRAWN BY:
CG

CHECKED BY:
ECD

BUILDING
SECTIONS

A301

ISSUED FOR PRICING & FOR CONSTRUCTION