

iQ LED FLEXIBLE TAPE LIGHT

IP20

6.0 Watts Per Foot

DRY RATED

iQ LED IP20 Flexible Tape Light is available in 2500K, 2700K, 3000K, 3500K, and 4000K. This easy to install, flexible product is suitable for indoor, dry locations and can be cut to specification at Q-Tran. Changes can also be made in the field. iQ LED IP20 Flexible Tape Light is available in 2.6, 4.4 or 6.2 watts per foot, is 24VDC, and has a CRI of over 90. It is ideal for cove lighting, cabinet lighting, office shelves, wine racks, accents, toekicks, retail displays and more.

Temp Rating: -4 degree to +113 degree.

IQ20	-	25	-	50	-	90	-	6.0
IP Series		Color Temp		Chip		CRI		Watts Per Ft

FLEXIBLE TAPE LIGHTS

IQ20-22-50-90-6.0

Max Tape Length: 15ft | Color Temp: 2200K | Voltage: 24vDC
CRI: 90+ | LM: 79 | Watts Per Ft: 6.0 | Lumens Per Ft: 450

IQ20-25-50-90-6.0

Max Tape Length: 15ft | Color Temp: 2500K | Voltage: 24vDC
CRI: 90+ | LM: 79 | Watts Per Ft: 6.0 | Lumens Per Ft: 450

IQ20-27-50-90-6.0

Max Tape Length: 15ft | Color Temp: 2700K | Voltage: 24vDC
CRI: 90+ | LM: 79 | Watts Per Ft: 6.0 | Lumens Per Ft: 450

IQ20-30-50-90-6.0

Max Tape Length: 15ft | Color Temp: 3000K | Voltage: 24vDC
CRI: 90+ | LM: 79 | Watts Per Ft: 6.0 | Lumens Per Ft: 450

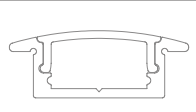
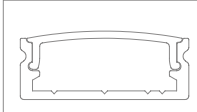
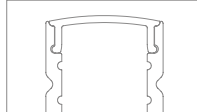
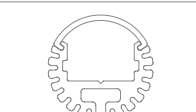



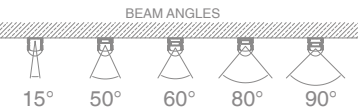
IQ20-35-50-90-6.0

Max Tape Length: 15ft | Color Temp: 3500K | Voltage: 24vDC
CRI: 90+ | LM: 79 | Watts Per Ft: 6.0 | Lumens Per Ft: 450

IQ20-40-50-90-6.0

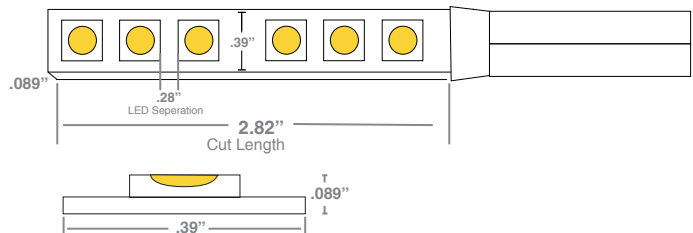
Max Tape Length: 15ft | Color Temp: 4000K | Voltage: 24vDC
CRI: 90+ | LM: 79 | Watts Per Ft: 6.0 | Lumens Per Ft: 450

COMPATIBLE EXTRUSIONS

 IQA-FLAT	 IQA-WIDE	 IQA-SQUR
 IQA-ROND	 IQA-45DW	 IQA-45DN
 IQA-VEGA		

IP20

Lead Wire



NOTE:

Cutting sections of LED tape allows for changes in the field.

6.2 watts per foot = cut every 2.82"

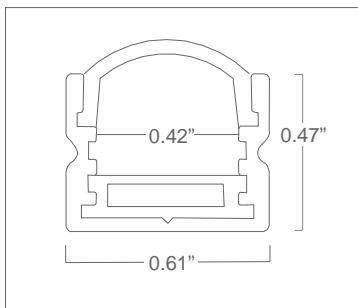
Lead wires comes standard on all LEDs in 18" (18/2 AWG)
(longer leads are available upon request)



iQ LED

EXTRUSIONS

IQA-VEGA



IQA-VEGA - Profile Aluminum Extrusions

Max Length: 98.25 in

Dimension: .61 in x .47 in

Material: Anodized Aluminum

Cover Options: Frosted (FL) including frosted end caps

Beam: 15-20, 50, 60, 80, 90

Fits: IP20, IP54, IP67

Screws for Clips: 0.70" in length

