

24V DC, DIMMING, CLASS 2

IP67 WET LOCATION

Approved for installation within clothing storage space as set forth by NEC Article 410.16



PROJECT	SPECIFIER
TYPE	ZONE
SKU __24-__-WR	NOTE

SERIES

8000 SERIES
High Output MIN. INCREMENT = 1" / For Maximum increments see individual driver pages

- 8024 83+CRI 6.0W /ft. ≤546 Lm/ft.
- 8924 94+CRI 5.6W /ft. ≤463 Lm/ft.

4000 SERIES
Mid Output MIN INCREMENT = 2" / For Maximum increments see individual driver pages

- 4024 83+CRI 3.0W /ft. ≤279 Lm/ft.
- 4924 94+CRI 2.8W /ft. ≤236 Lm/ft.

3000 SERIES
MAX Fixture Length= 32' / Class 2 Circuit Limitation=56'
Standard Output MIN. Increment = 4" / For Maximum increments see individual driver pages

- 3024 83+CRI 1.5W /ft. ≤137 Lm/ft.
- 3924 94+CRI 1.4W /ft. ≤116 Lm/ft.

COLOR

92+ CRI WHITE
SINGLE BIN

CCT	COLOR CODE
2150K 94CRI	22
2650K 97CRI	26
2700K 94CRI	27
2950K 92CRI	29
3450K 94CRI	34
3950K 94CRI	39

83+ CRI WHITE
SINGLE BIN

CCT	COLOR CODE
2700K	27
3000K	30
3500K	35
4000K	40
6000K	60

COLORS

RED	R
GREEN	G
BLUE	B
AMBER	A
PINK	PK

CRI = Color Rendering Index
CCT = Correlated Color Temperature

Compatible with:
#WR-MT mounting tape (indoor, sealed surfaces)
-or- clear silicone adhesive (outdoor, porous surfaces)
Both Sold Separately

Component of a complete system including: Aion LED A-Track Light Engine, Aion LED A-Track housing with diffuser lens, & Aion LED driver (power supply). Dimmer not included. Approved dimmers, controls, power supplies, cable, & other components only. Contact Aion LED for questions regarding compatibility. Electrician installed. Strictly adhere to NEC & local building code. Limited 5-year warranty against manufacturing defects only, does not cover labor; voided by: inadequate ventilation, field modifications, installation by unqualified personnel, unapproved controls, drivers, cabling, other devices, not following installation guidelines & protocol, general negligence. Installer assumes all liability with regard to property & safety. This product is UL listed. See separate: "Aion LED Warranty Terms" & additional instructional materials for more information. Authorized installers only. Systems tested prior to shipping. © Copyright 2014 Aion LED. All Rights Reserved. AIONLED.COM | (415) 255-AION

PROJECT	SPECIFIER
TYPE	ZONE
SKU AT801	NOTE

Direct View Applications:
Compatible with 4000 & 8000
Series Light Engines

Indirect Application:
Any/ All Series Light Engine

FINISH OPTIONS

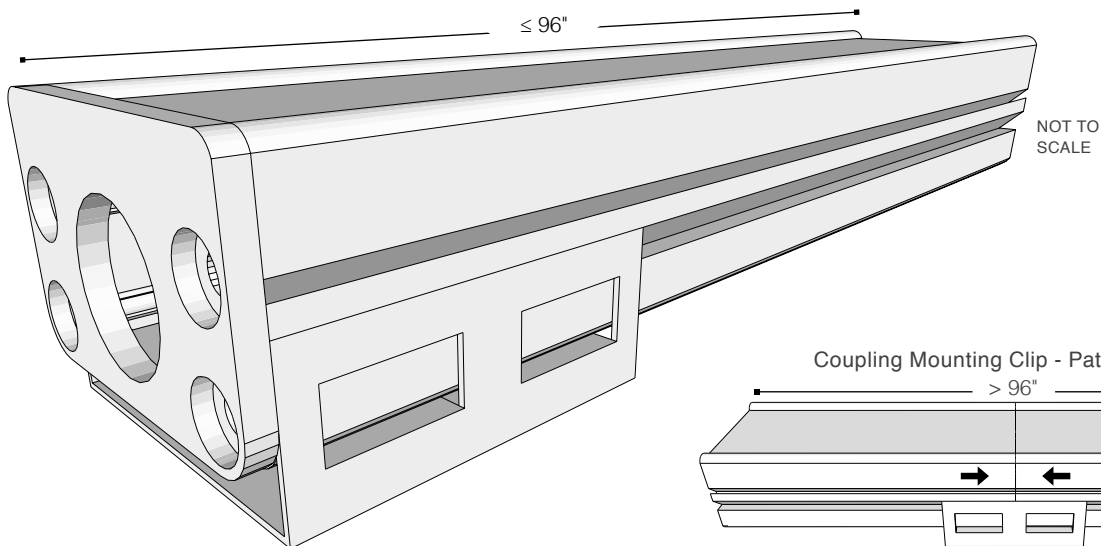
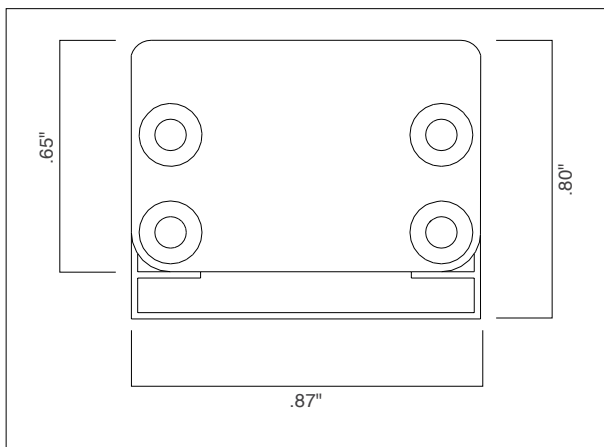
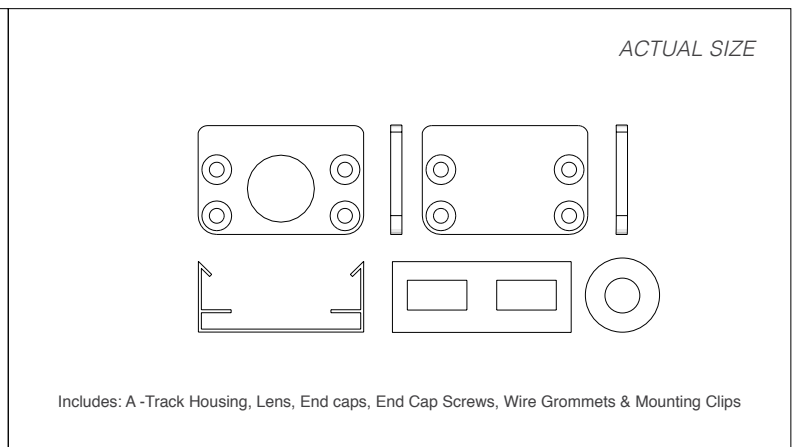
- Anodized Silver
- Anodized Dark Bronze
- Custom Color: _____

LENS OPTIONS

- Frosted
- Clear
- Prismatic

WIRE OPTIONS

- Plug (white:____ black: ____)
- Leads
- Rear Feed


DIMENSIONS

ACCESSORIES


Tested as suitable for use within clothing closet spaces by ETL/ Intertek
Must be installed in accordance with NEC 410.16 for use in clothing
closet spaces

*Pre-assembled up to 8 feet (96 inches) Length may be increased by connecting multiple sections.
Some assembly required for fixtures longer than 8 feet. See separate installation instructions.

Component of a complete system including: Aion LED A-Track Light Engine, Aion LED A-Track housing with diffuser lens, & Aion LED driver (power supply). Dimmer not included. Approved dimmers, controls, power supplies, cable, & other components only. Contact Aion LED for questions regarding compatibility. Electrician installed. Strictly adhere to NEC & local building code. Limited 5-year warranty against manufacturing defects only, does not cover labor; voided by: inadequate ventilation, field modifications, installation by unqualified personnel, unapproved controls, drivers, cabling, other devices, not following installation guidelines & protocol, general negligence. Installer assumes all liability with regard to property & safety. This product is UL listed. See separate: "Aion LED Warranty Terms" & additional instructional materials for more information. Authorized installers only. Systems tested prior to shipping.
© Copyright 2014 Aion LED. All Rights Reserved AIONLED.COM | (415) 255-AION