

Prepared For:



Consultant:

Architect:

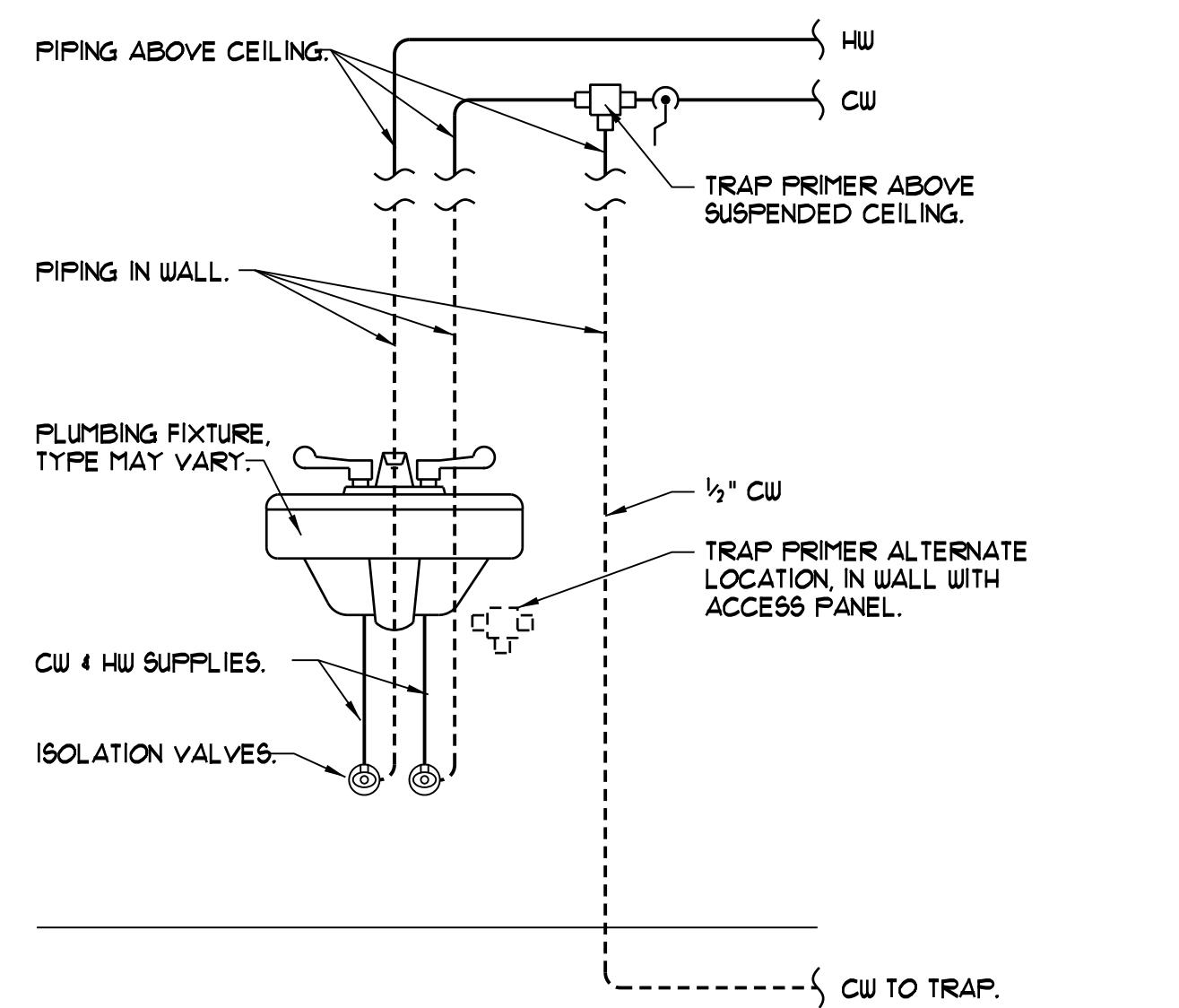
Project: CELLAR DOOR
BRICK NORTH
EAST WING
THOMPSON'S POINT,
PORTLAND ME

Revisions:
1 1-27-16 ISSUED FOR CONSTRUCTION

Date: 1-27-16
Scale: 1/8" = 1'-0"

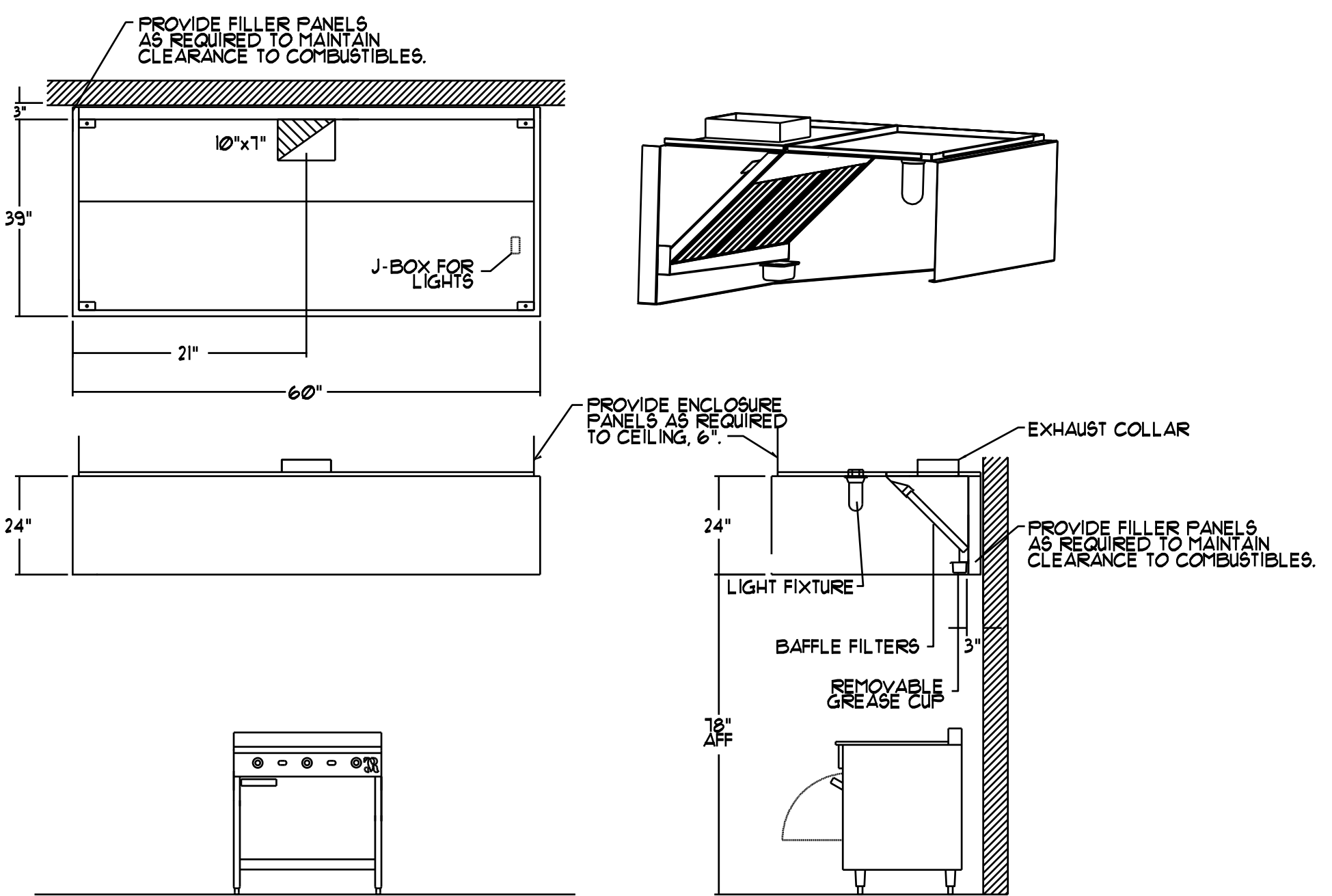
MECHANICAL DETAILS

M2.02



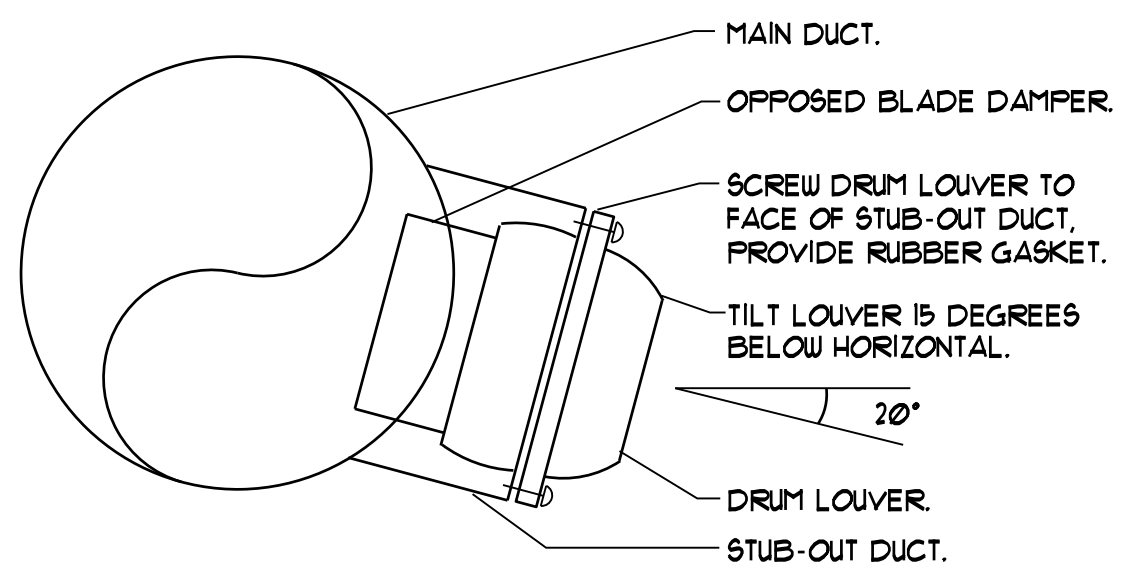
TRAP PRIMER CONNECTION DETAIL
NTS

NOTE - ALL FLOOR DRAINS SHALL HAVE TRAP PRIMERS, CONNECT TO NEAREST FIXTURE.

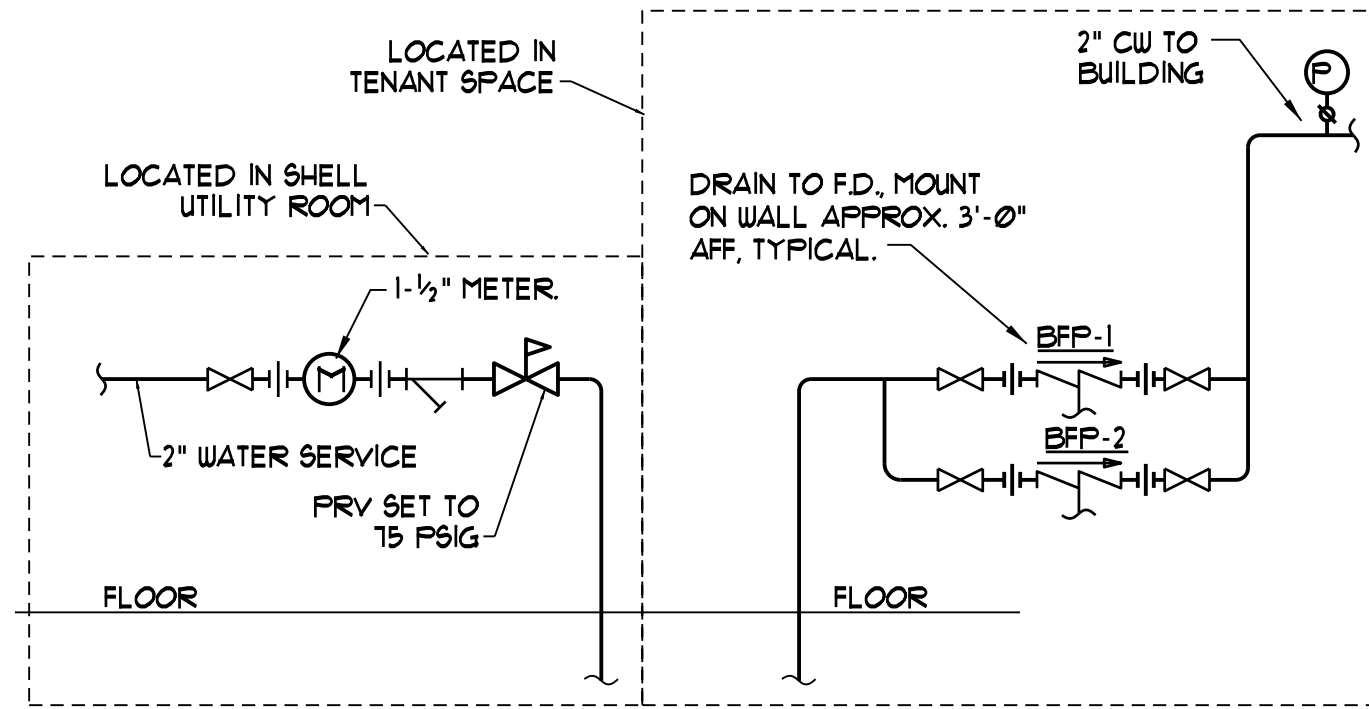


* - EQUIPMENT BENEATH HOOD MAY VARY.

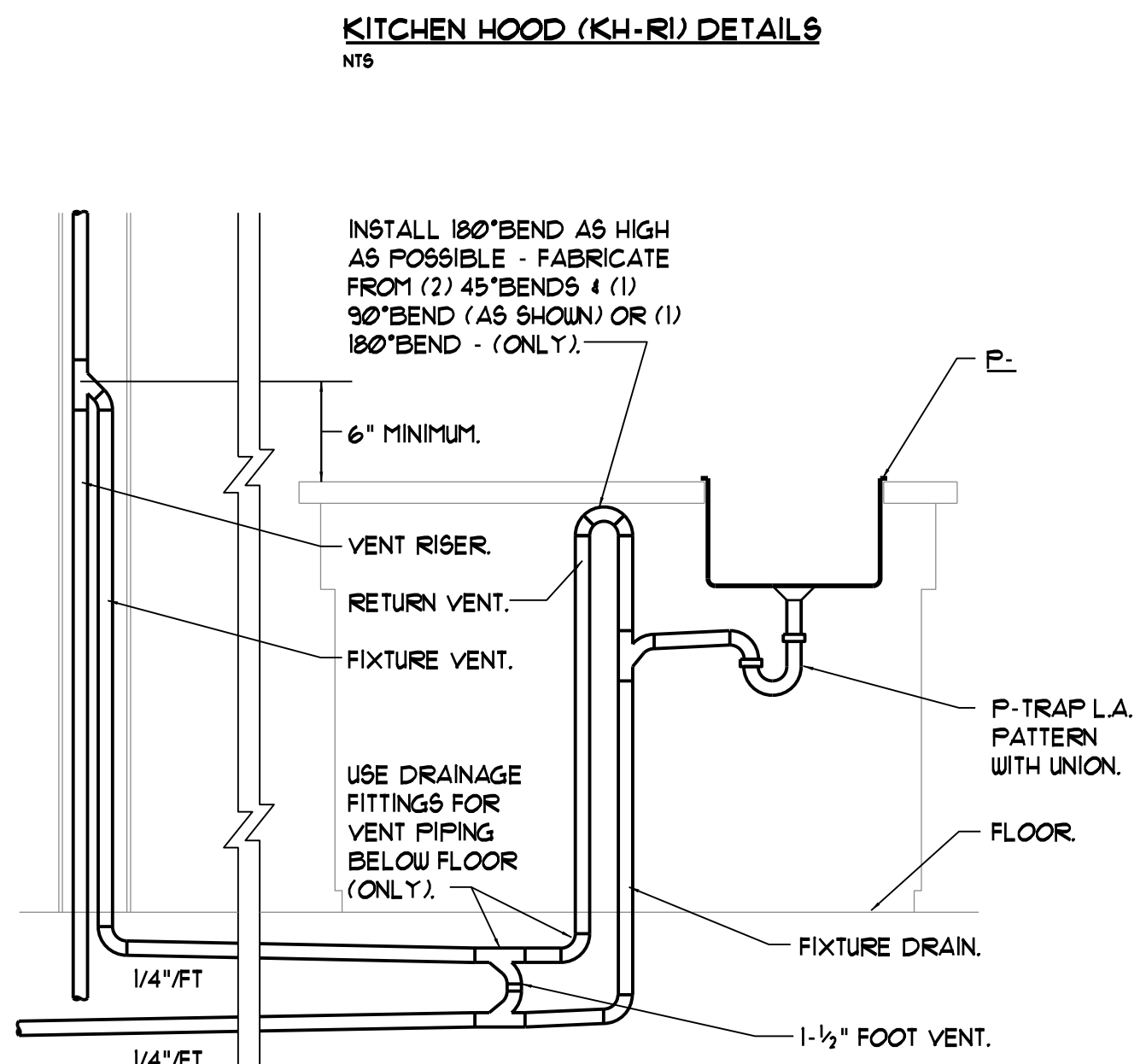
KITCHEN HOOD (KH-RI) DETAILS
NTS



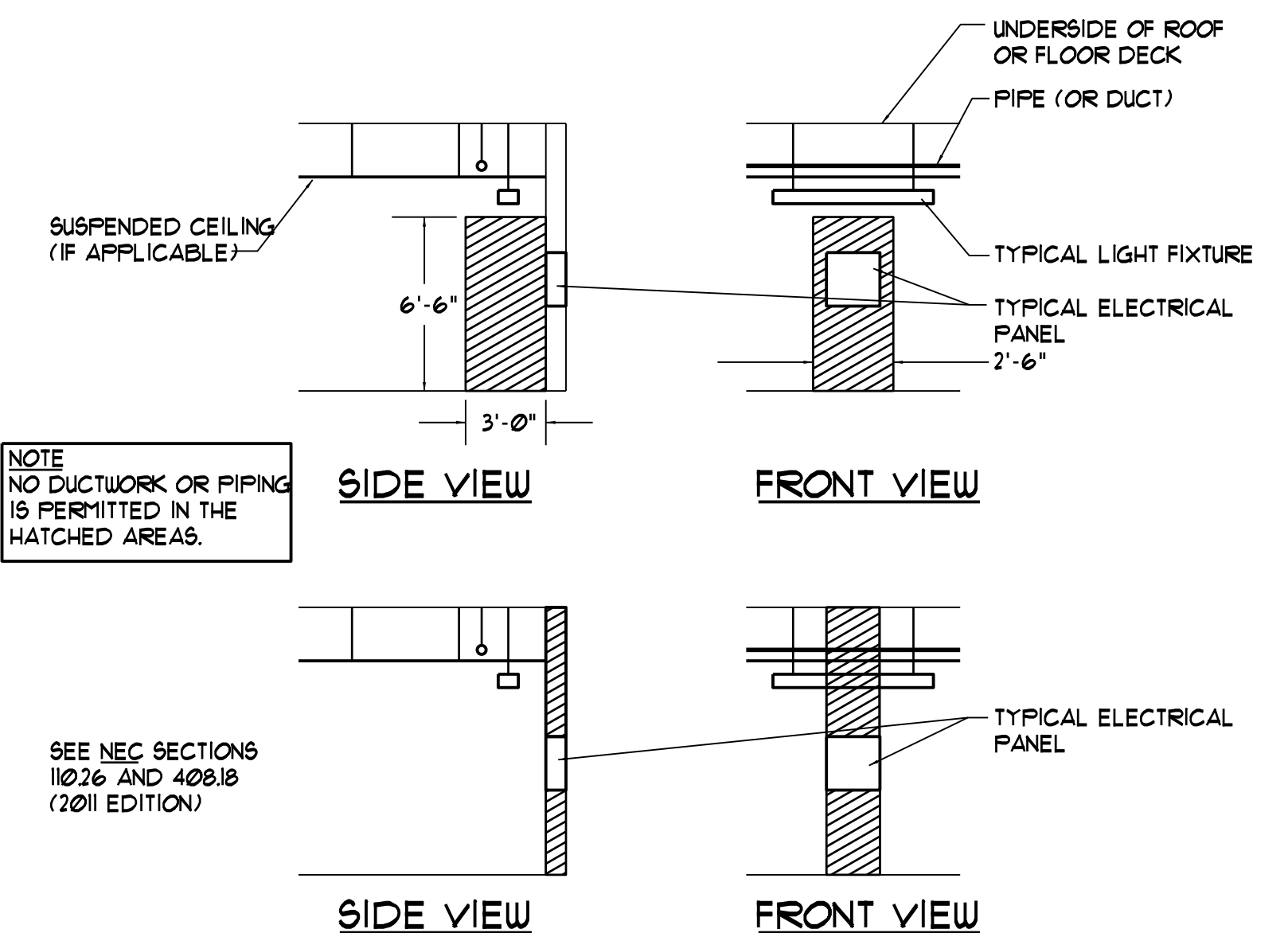
DRUM LOUVER DETAIL
NTS



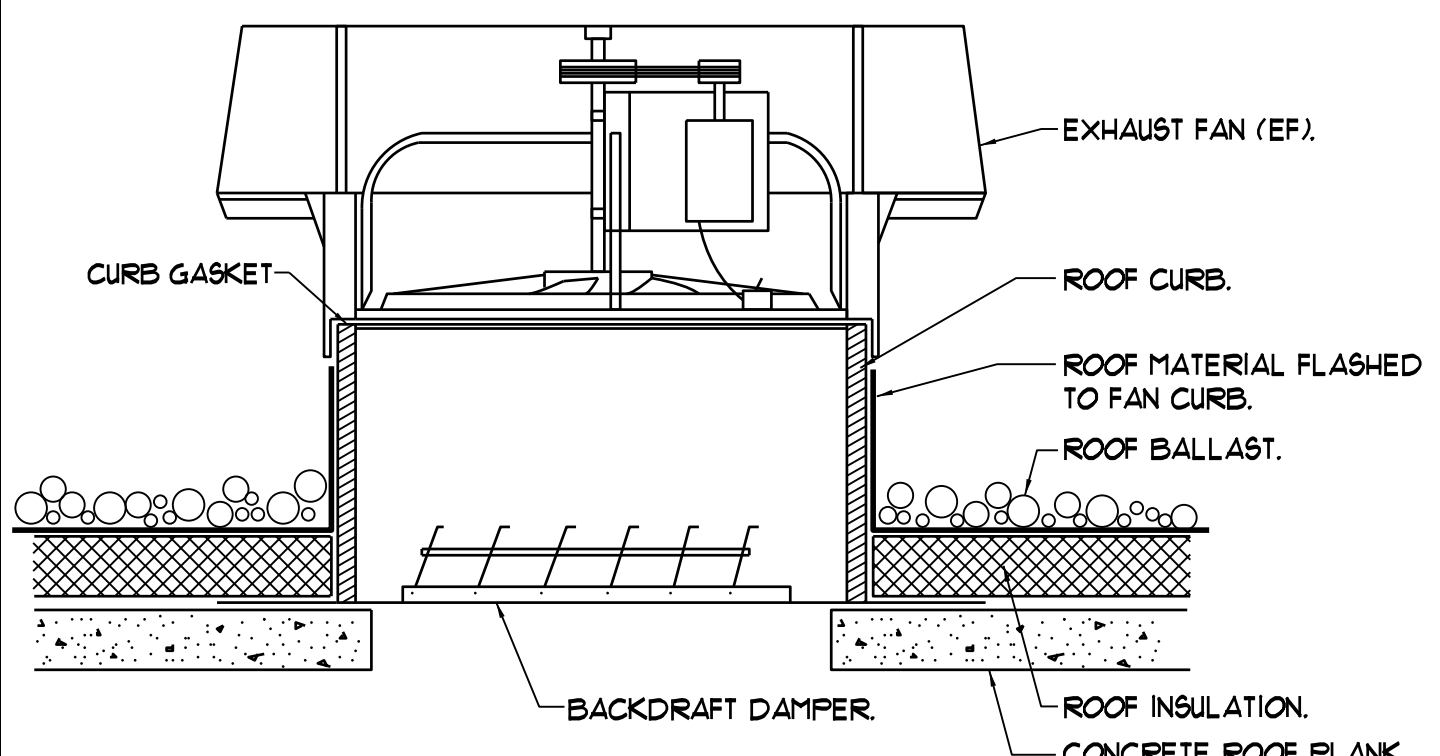
WATER ENTRANCE DETAIL
NTS



ISLAND VENTING DETAIL
NTS

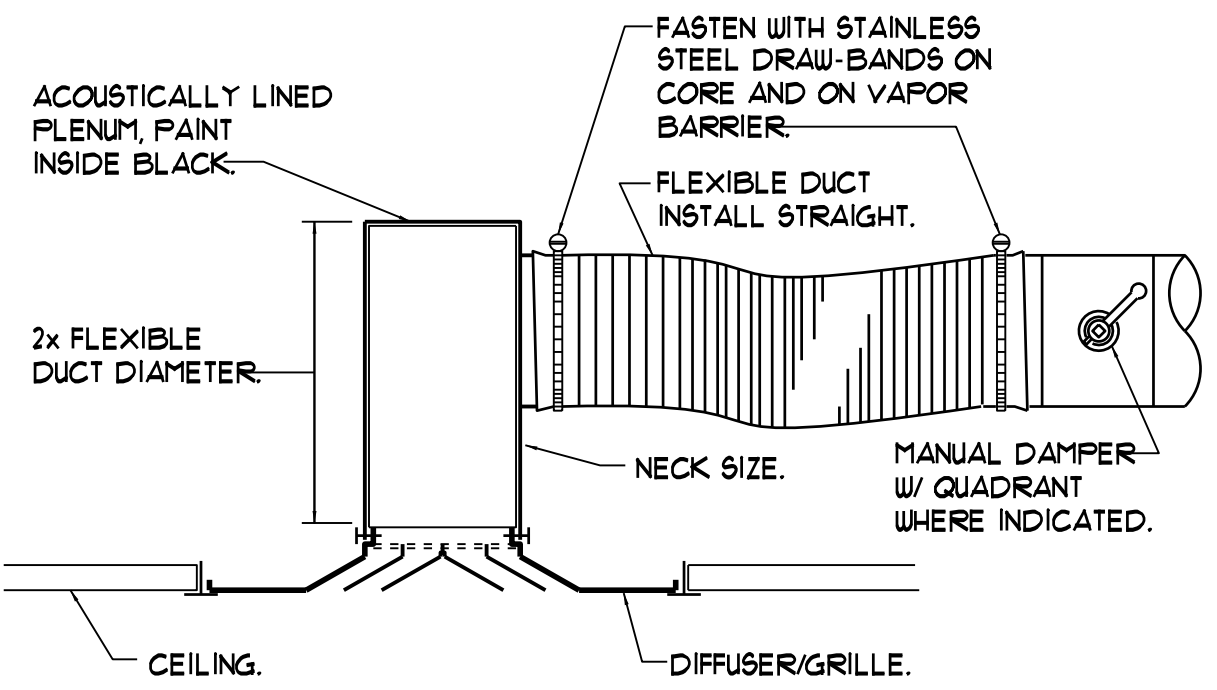


CLEARANCES AT ELECTRICAL PANELS
NTS



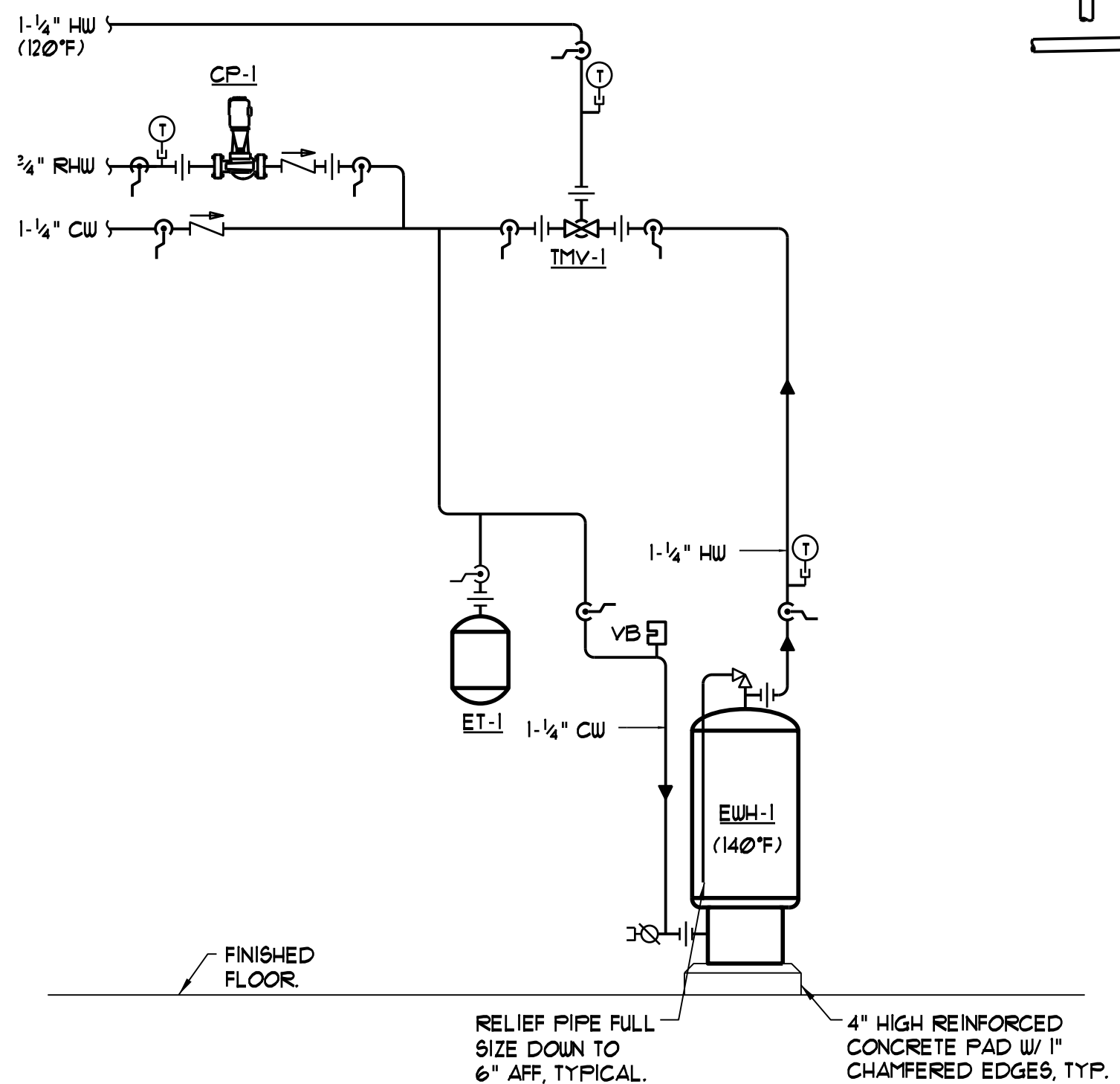
ROOFTOP FAN DETAIL
NTS

NOTE ROOF CONSTRUCTION MAY VARY.

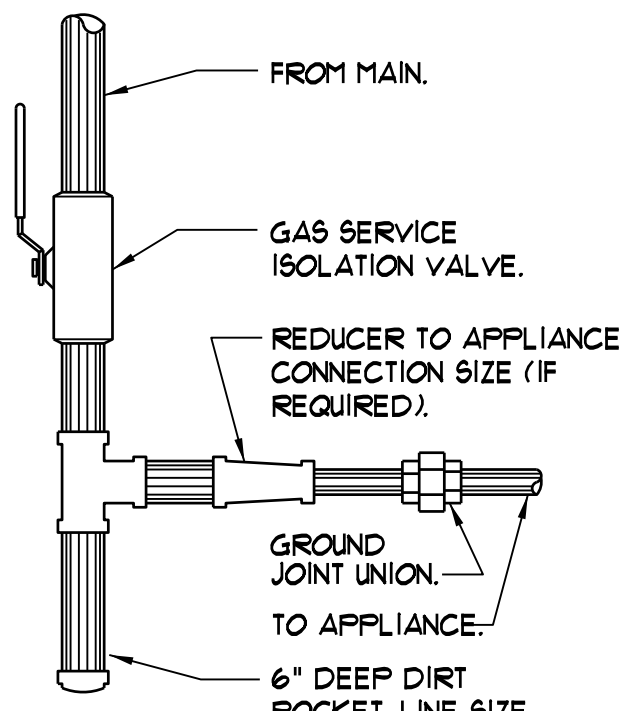


DIFFUSER/RETURN CONNECTION DETAIL
NTS

NOTE DETAIL TYPICAL FOR CEILING GRILLES, REGISTERS AND LINEAR DIFFUSERS. FOR SURFACE-MOUNT DEVICES, SUPPORT PLENUM FROM CEILING GRID WITH STEEL ANGLES FASTENED TO PLENUM.

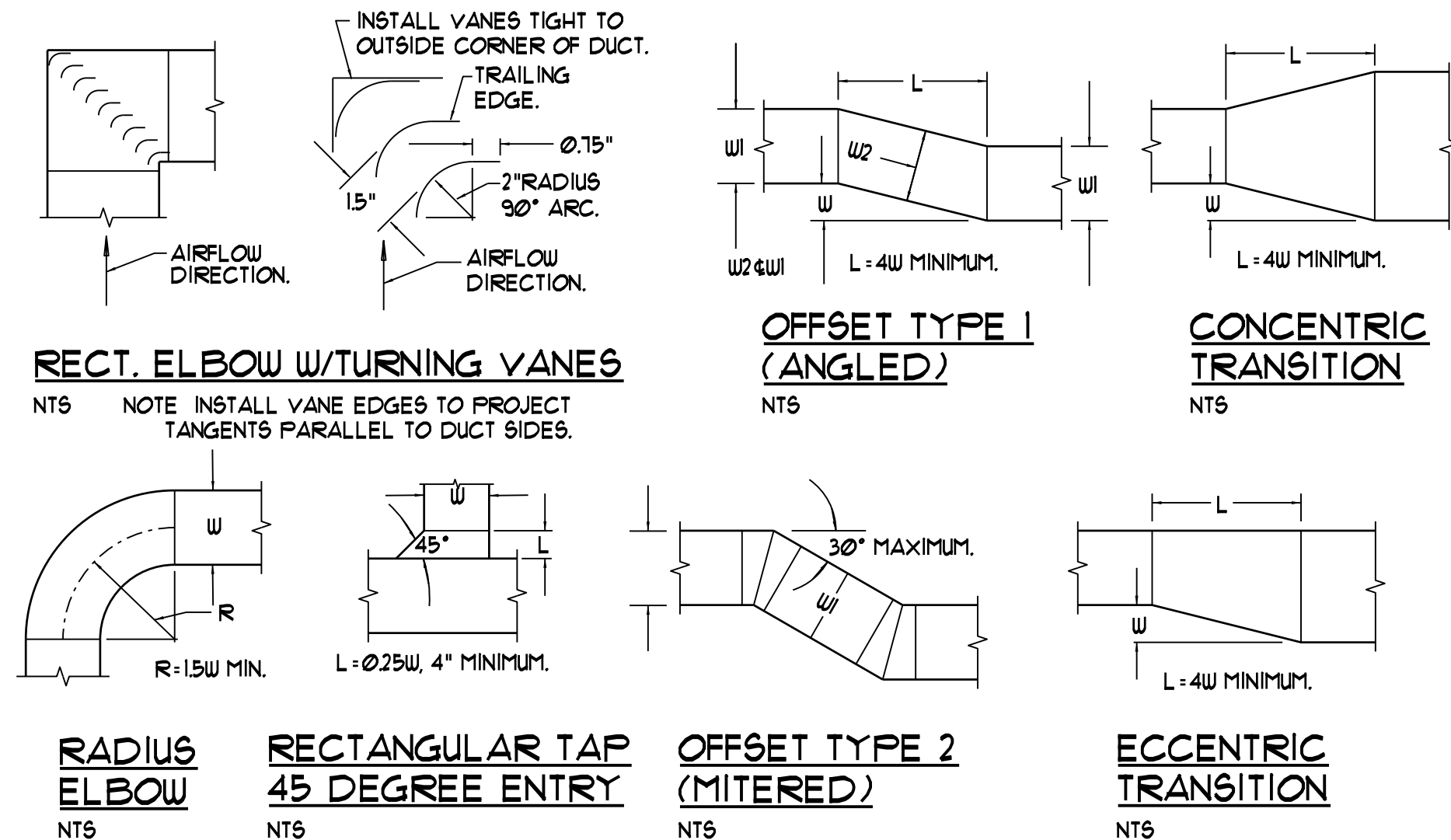


DOMESTIC HOT WATER PIPING SCHEMATIC
NTS



DOWNFEED GAS PIPING CONNECTION DETAIL
NTS

NOTE APPLIANCES WITH REGULATORS LOCATE PIPING SHOWN HEREIN UPSTREAM OF THE APPLIANCE REGULATOR. PROVIDE A TEST PLUG DOWNSTREAM OF THE APPLIANCE REGULATOR.



LOW PRESSURE DUCT CONSTRUCTION DETAILS - TYPICAL
NTS