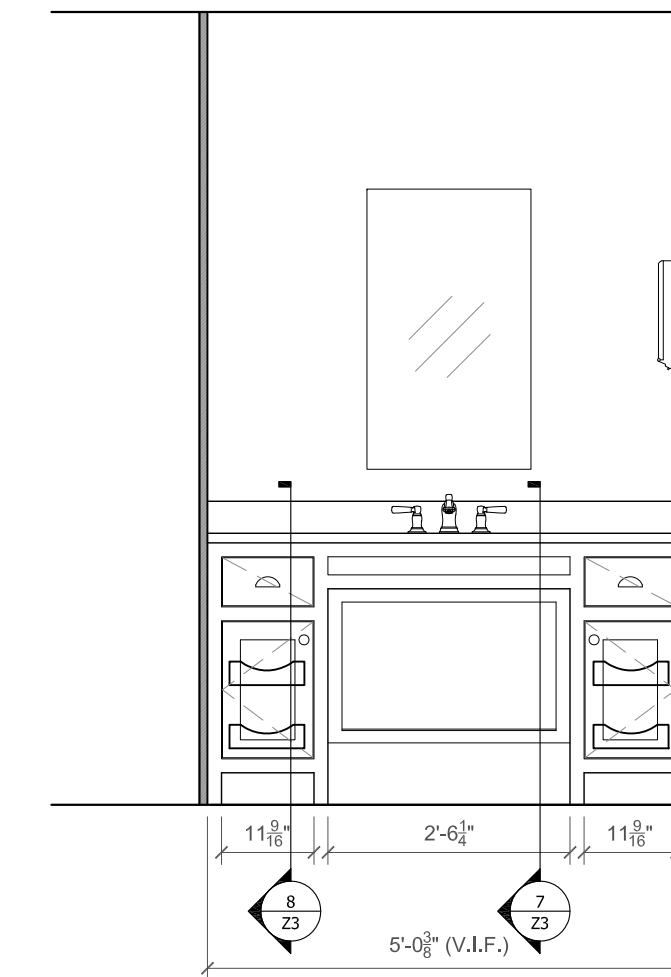
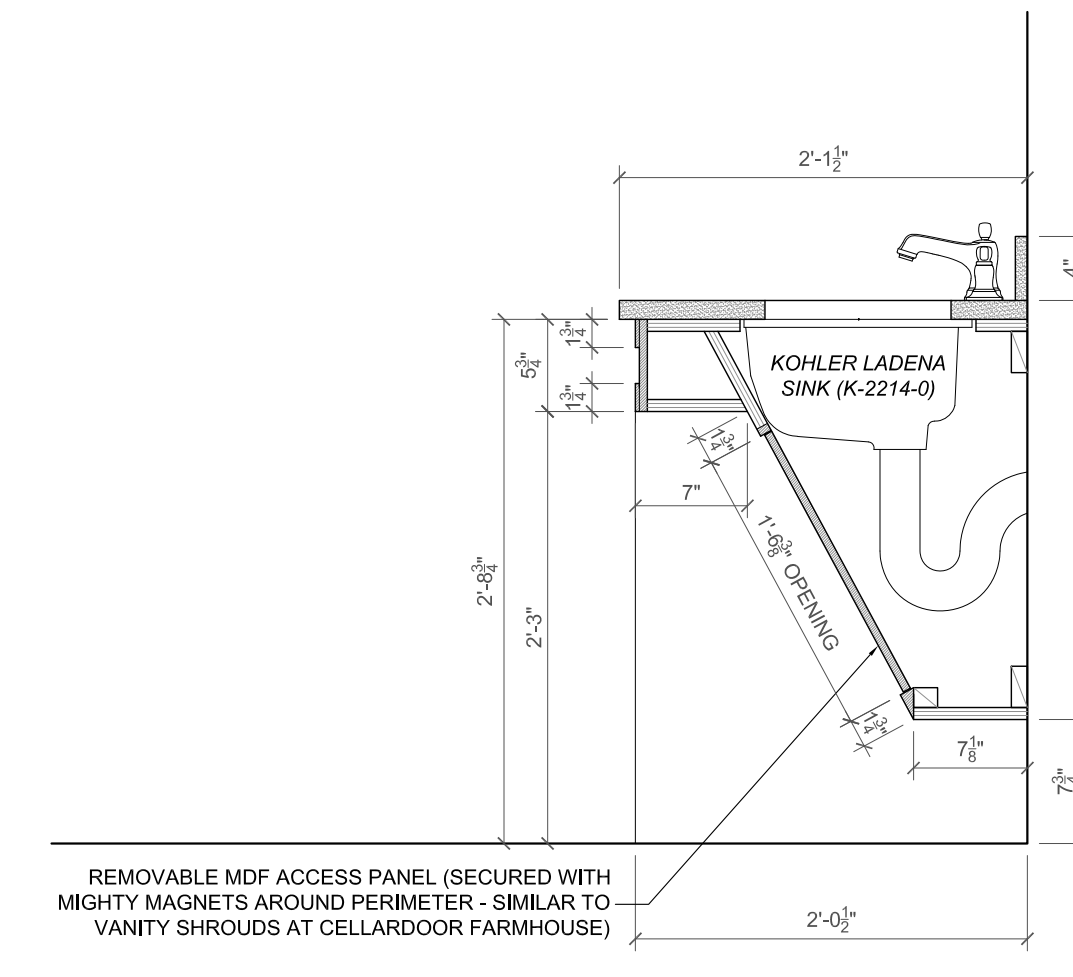


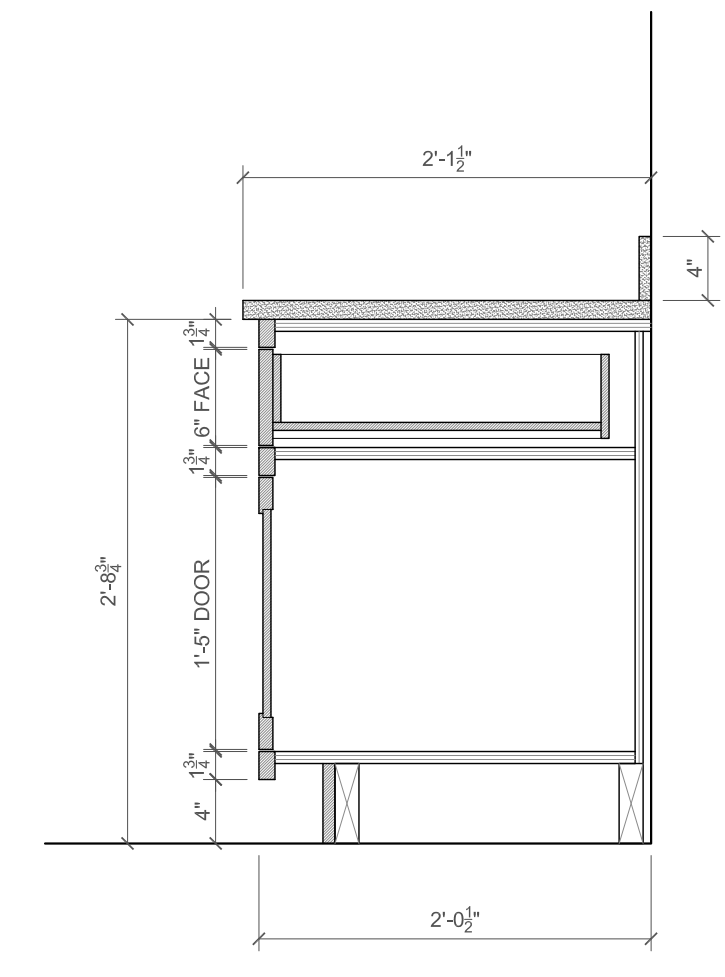
1 BATH 103 & BATH 106 FLOOR PLAN  
Z4 SCALE: 1/2" = 1' - 0"



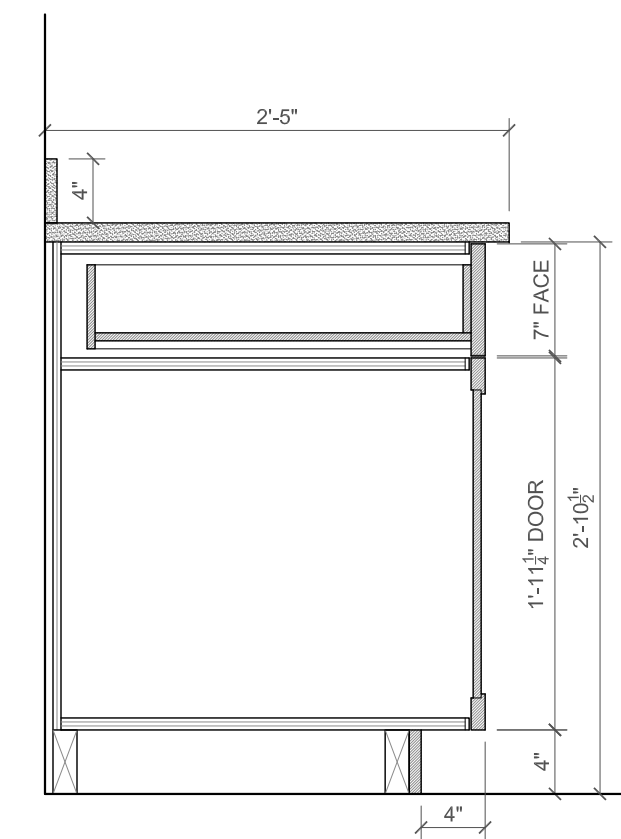
6 BATH 103/106 VANITY: ELEVATION  
Z3 SCALE: 1/2" = 1' - 0"



7 BATH 103/106 VANITY: SECTION A  
Z3 SCALE: 1" = 1' - 0"



8 BATH 103/106 VANITY: SECTION B  
Z3 SCALE: 1" = 1' - 0"



11 MARKET 109 BASE CABINETS - TYPICAL SECTION  
Z3 SCALE: 1" = 1' - 0"



HOME DESIGNS  
446 WEST STREET  
ROCKFORD, ME 04856  
TEL: 207 230 0034  
FAX: 207 230 0274  
PHIHOMEDESIGNS.COM  
©PHI HOME DESIGNS LLC

CELLARDOOR AT THE POINT  
THOMPSON'S POINT, PORTLAND, MAINE  
OWNER: CELLARDOOR WINERY

DATE:  
FEBRUARY 1, 2016  
DRAWN BY:  
TES  
CHECKED BY:  
ECD

BATH 103/106  
CABINETS  
DETAILS

Z4