

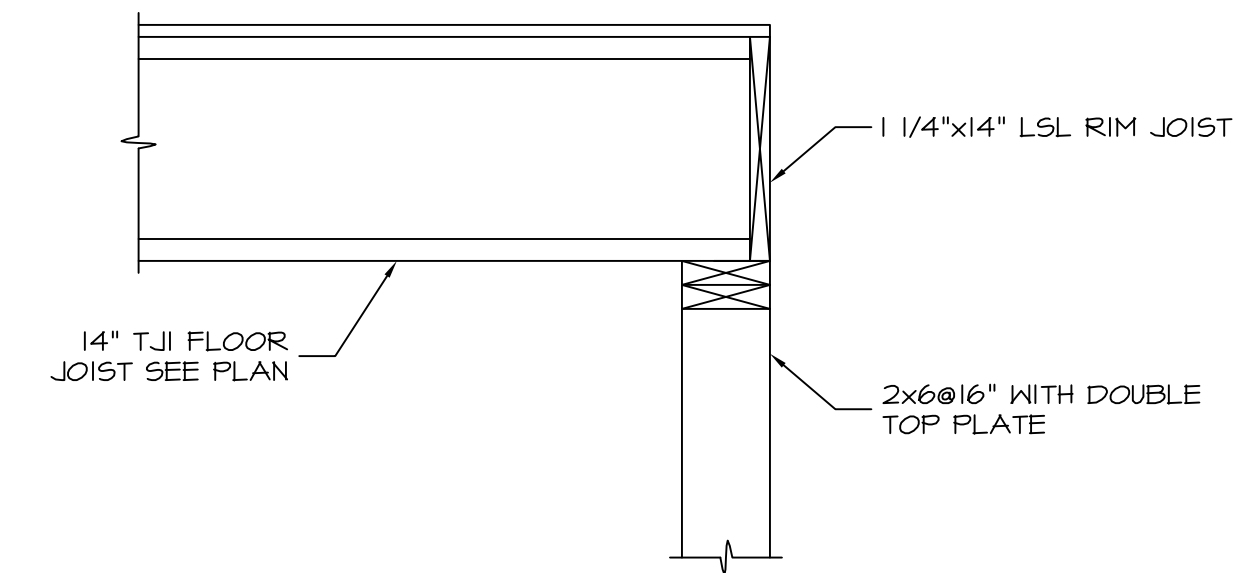
DESIGN LIVE LOAD = 150 PSF

**MEZZANINE FRAMING PLANS**  
1/8"=1'-0"

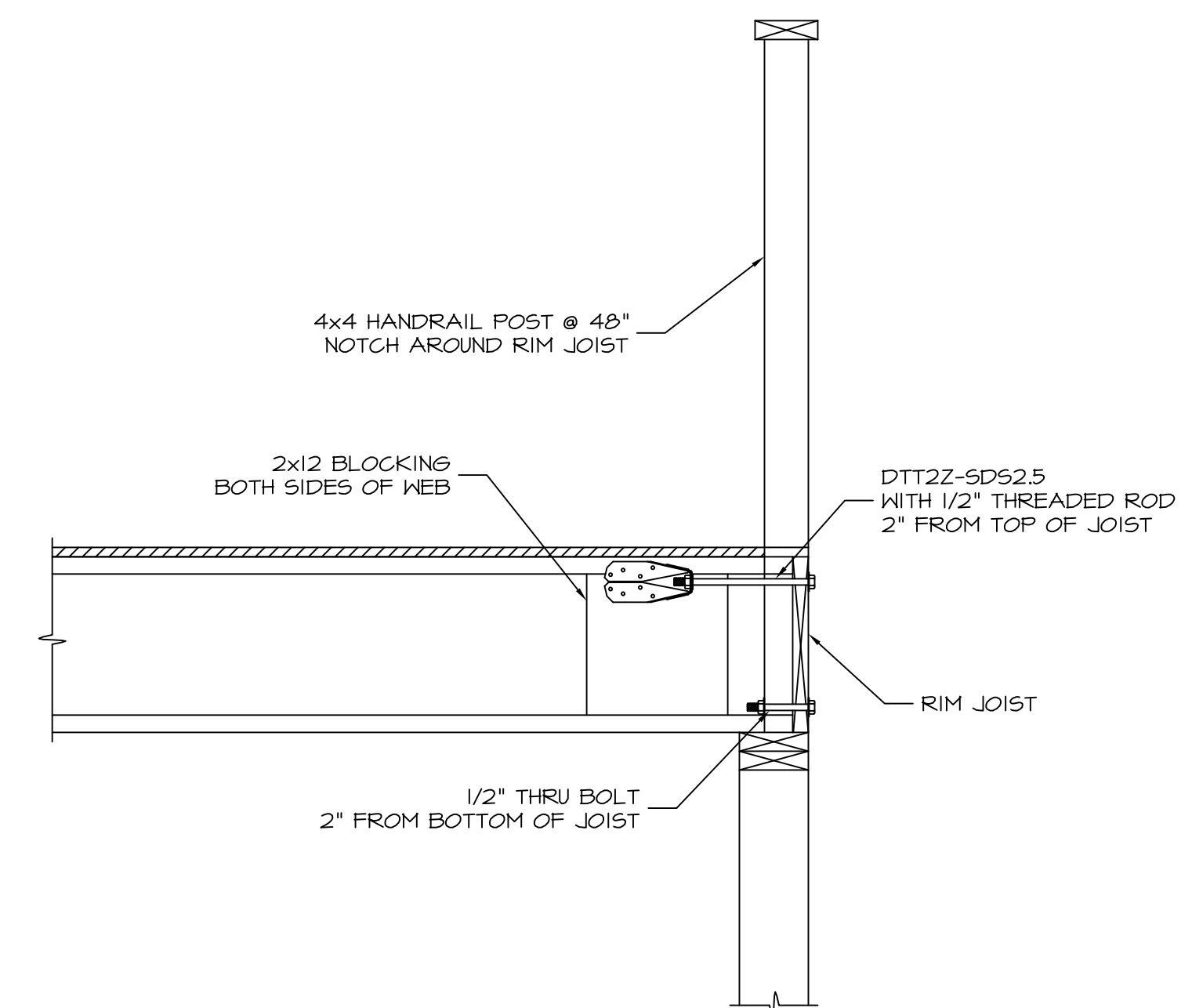
DESIGN LIVE LOAD = 100 PSF UNLESS NOTED.  
 ALL BEARING WALLS ARE 2x6@16" UNLESS NOTED.  
 ALL HEADERS ARE (2)2x8 UNLESS NOTED.  
 SHEATHING IS 3/4" CDX PLYWOOD.  
 SEE ARCHITECTURAL FOR LOCATIONS AND EXTENTS OF ALL MEZZANINES.

FRAMING HARDWARE SCHEDULE	
LOCATION	CONNECTOR
6x6 POST BASE	ABU66 WITH 5/8"x6" TITEN HD SCREW ANCHOR
6x6 POST CAP AT END-SPAN POST	ECCQ46SDS2.5
(3)2x12 FRAMED TO POST	HUSC212-3

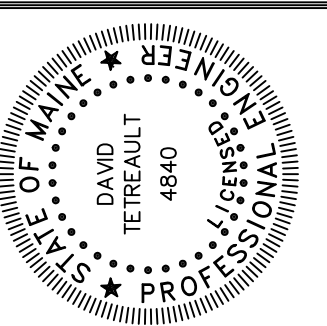
ALL HARDWARE MANUFACTURED BY SIMPSON STRONGTIE OR APPROVED ALTERNATE.



TYPICAL JOIST AT BEARING WALL SECTION  
1"=1'-0"

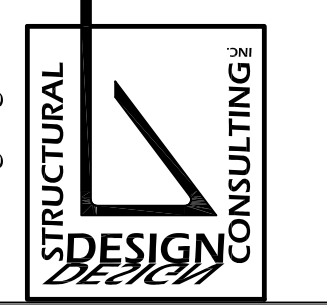


TYPICAL HANDRAIL SECTION  
1"=1'-0"



Prepared For:

2696 Lake Shore Road  
 Unit 130  
 Glenburn, ME 03949  
 Tel 603.293.8038



**ARCHETYPE**  
 architects  
 48 Union Wharf Portland, Maine 04101  
 (207) 772-6022 Fax (207) 772-4056

**BRICK NORTH DISTILLERY**  
 Thompson's Point  
 Portland, Maine

Project:

Revisions:  
 Submitted for Permit 02/10216

Date:	12 FEB 16
Scale:	As Noted

**MEZZANINE FRAMING PLANS AND DETAILS**

**S1.0**