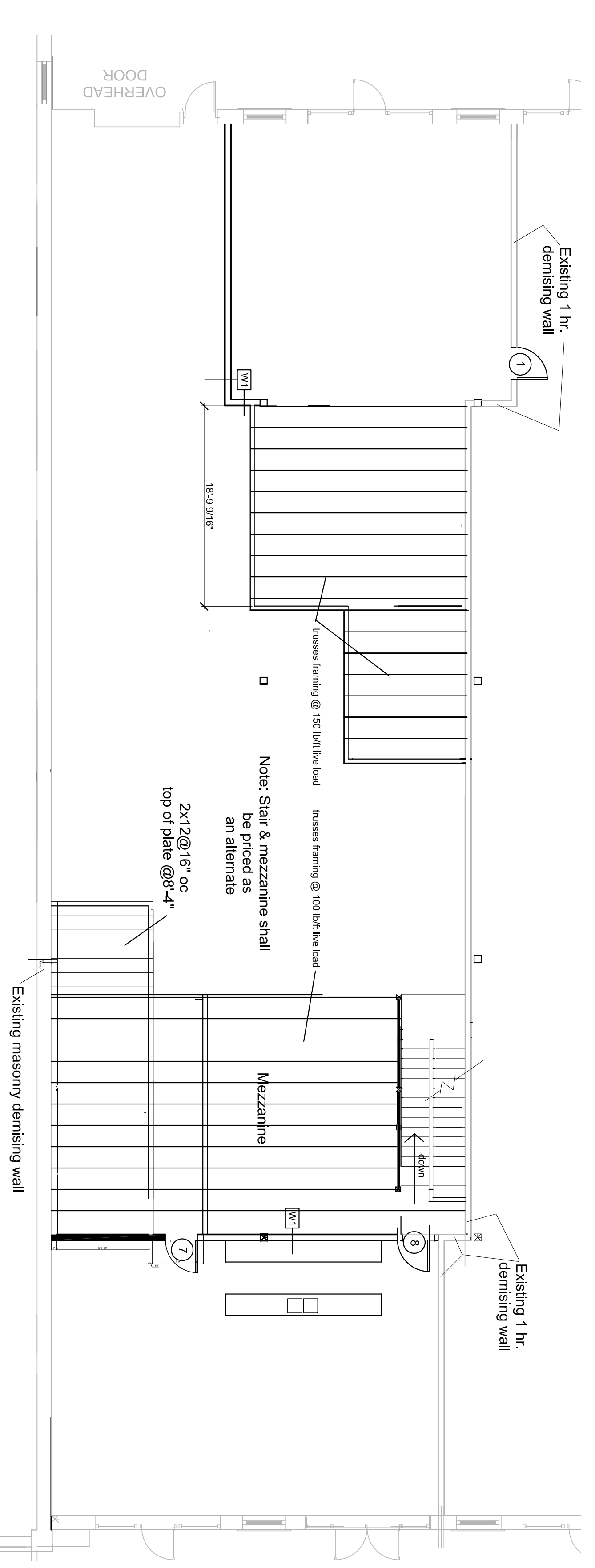
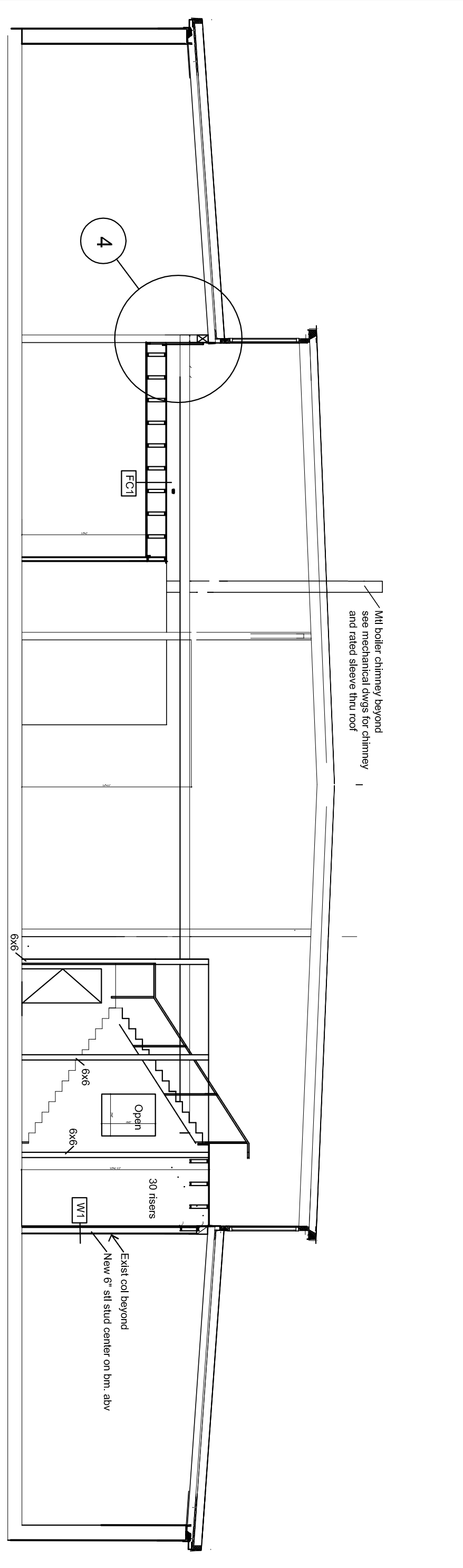


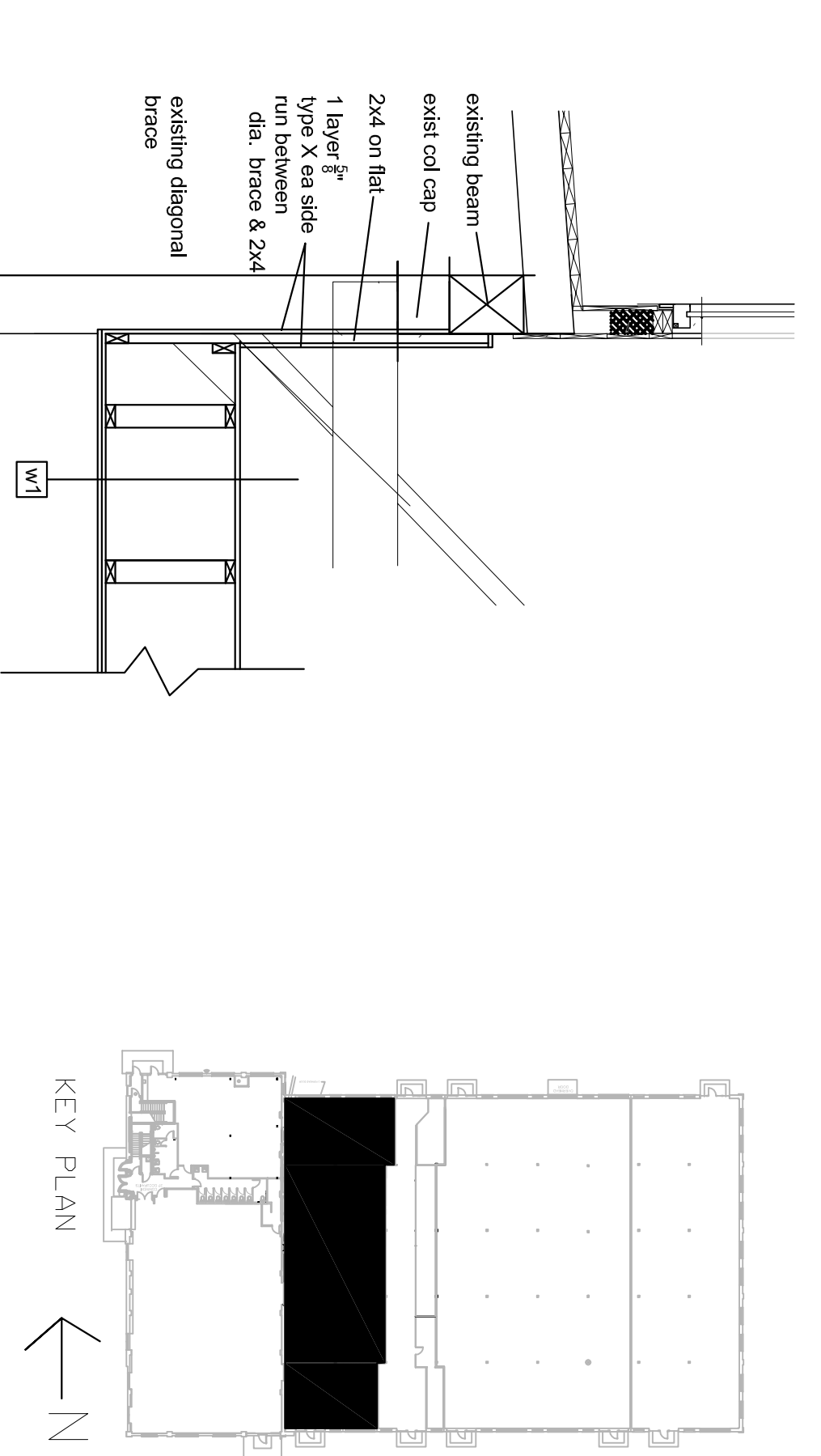
1 FIRST FLOOR PLAN  
A1.01 1/8" = 1'-0"



2 MEZZANINE/CEILING FRAMING PLAN  
A1.01 1/8" = 1'-0"



3 SECTION A  
A1.01 1/8" = 1'-0"

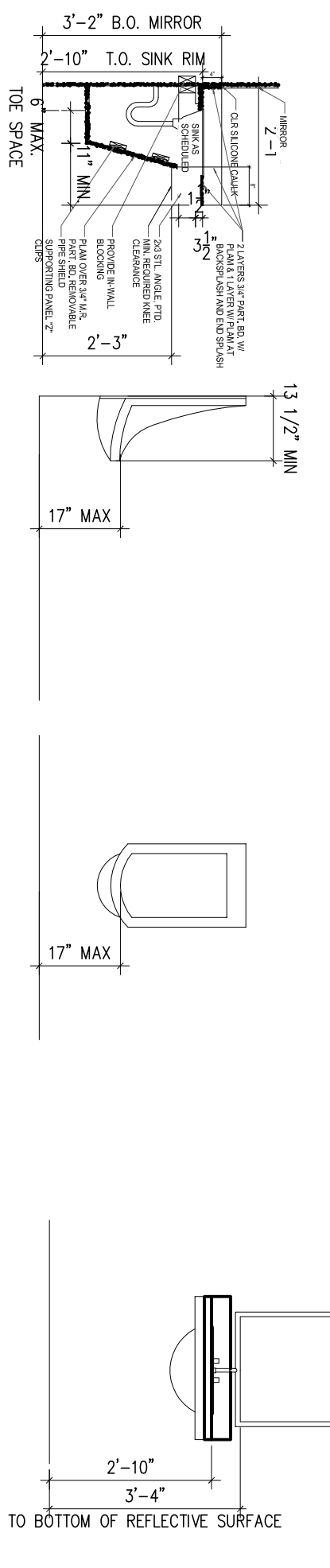
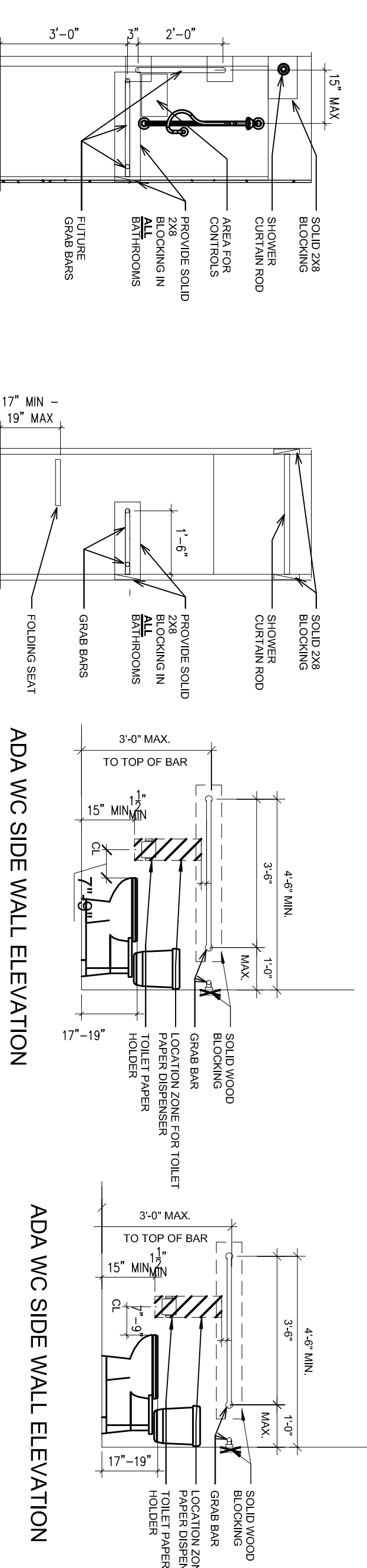


4 CLERESTORY SILL  
A1.01 1/2" = 1'-0"

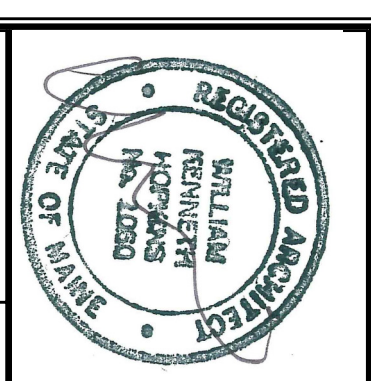
Door #	size	Mat	Rating	Hardware
1	3x7'	Metal	45 min	Exit device, Closer
2	"	Metal	"	Privacy, closer
3	"	Metal	"	Store room
4	"	Metal	"	Privacy,
5	"	Metal	"	Exit device, Closer
6	"	Metal	"	Passage, Closer
7	"	Metal	"	Passage, Closer
8	"	wood	"	Passage, Closer
9	"	wood	"	Exit device, Closer
10	size to fit	Metal	"	Store room

General notes  
1. All doors in steel frames

5 DOOR SCHEDULE  
A1.01 1/2" = 1'-0"



6 ADA LAV SECTION ADA URINAL SECTION ADA URINAL FRONT ELEVATION ADA LAV FRONT ELEVATION  
A1.01 ADA FIXTURES



Prepared For:

Consultant:

Architect:  
ARCHETYPE  
48 Union Wharf Portland, Maine 04101  
(207) 772-6022 Fax (207) 772-4056

Project:  
BRICK NORTH DISTILLERY  
THOMPSON'S POINT, PORTLAND ME

Revisions:  
11-20-2015 SUBMITTED FOR PERMIT

Scale:  
AS NOTED

Date:  
11-20-2015

A1.01  
PLANS & SECTIONS