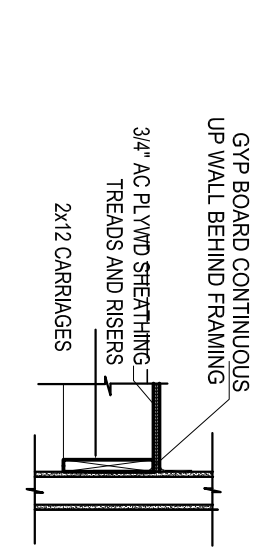


DOOR SCHEDULE						
DOORS						
MARK	TYPE	SIZE	F.R.	HARDWARE SET	MAT.	REMARKS
101	A	3'-0" x 7'-0"		ENTRANCE SET	HMI, FULL LITE	
102	B	3'-0" x 7'-0"		STOREROOM LOCK	HMI	
103	B	3'-0" x 7'-0"		STOREROOM LOCK	HMI	
104	B	3'-0" x 7'-0"		PRIVACY LOCK	HMI	CLOSER
105	B	3'-0" x 7'-0"		PRIVACY LOCK	HMI	CLOSER
201	B	3'-0" x 7'-0"		STOREROOM LOCK	HMI	

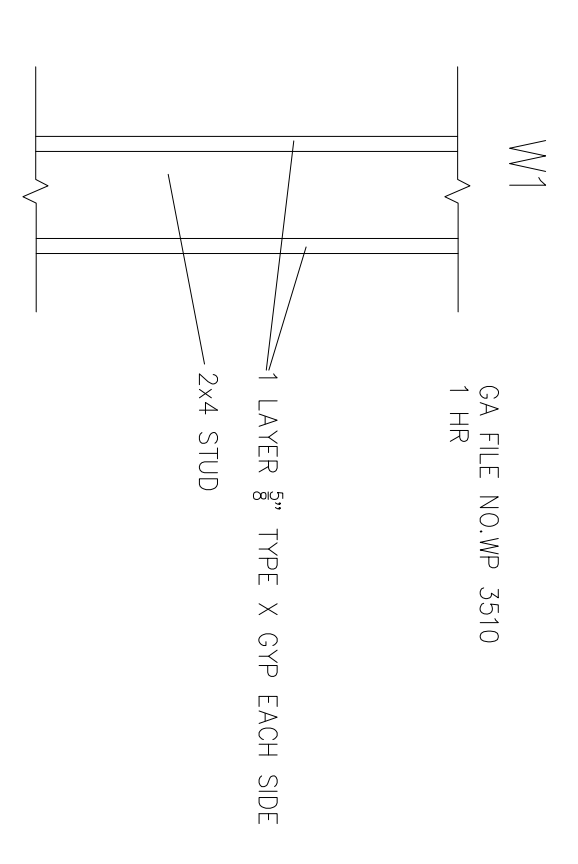
5 GUARDRAIL
A1.02 1 1/2" = 1'-0"

7 DOOR TYPES
A1.02

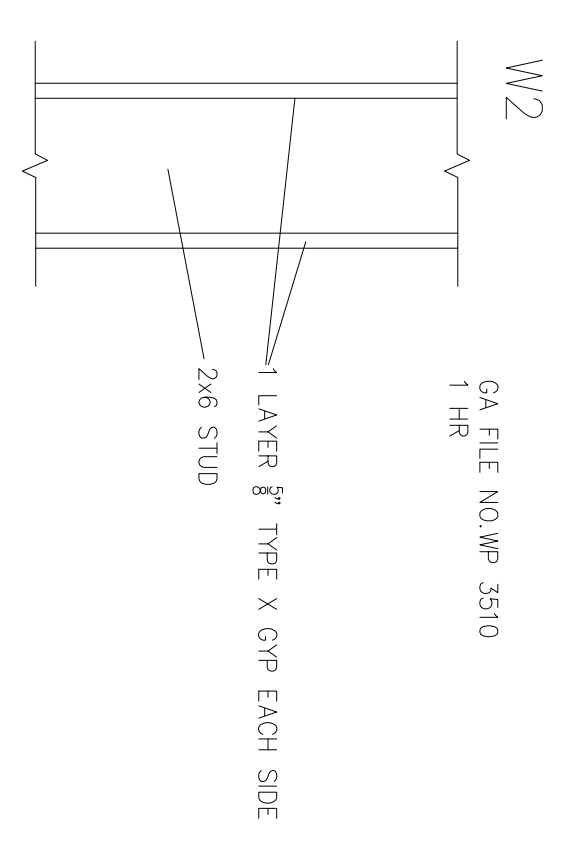
8 DOOR SCHEDULE
A1.02



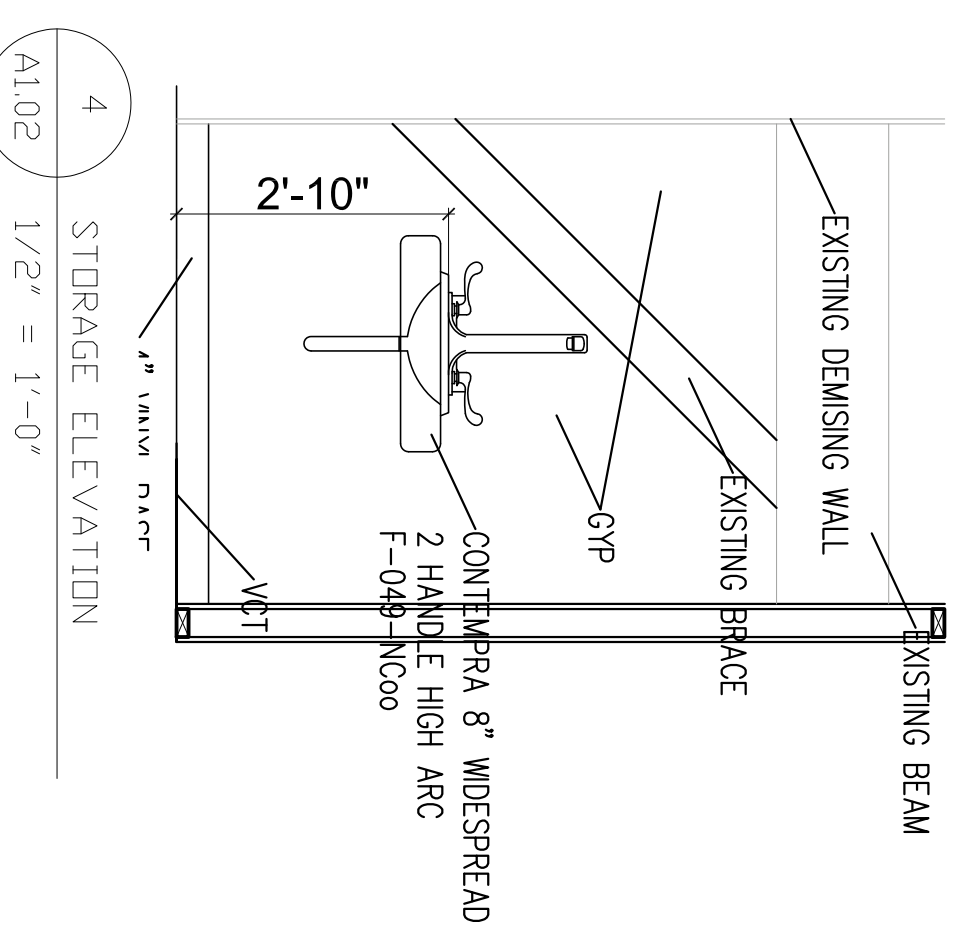
2 STAIR DETAILS
A1.02 1/2" = 1'-0"



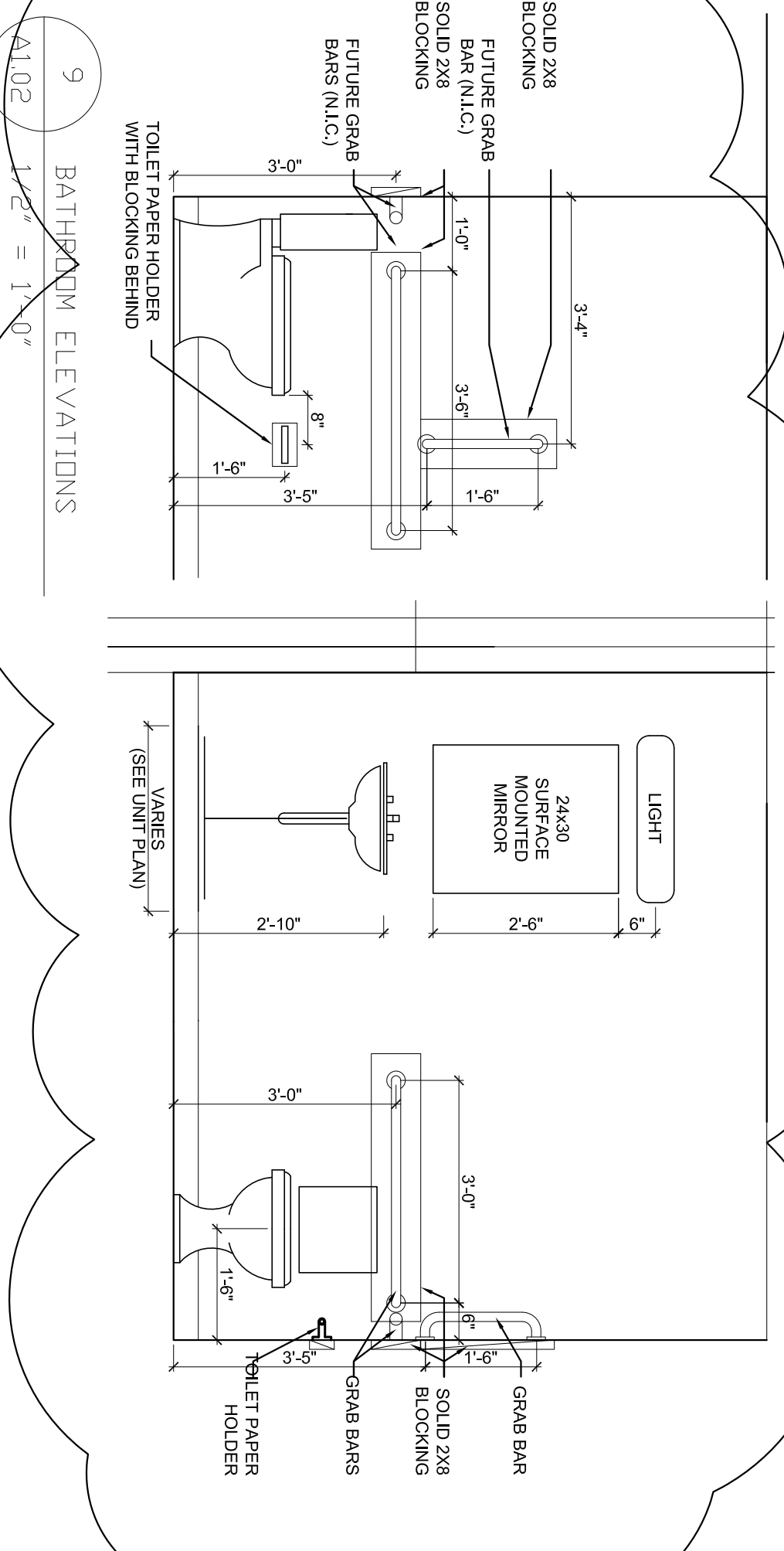
3 WALL TYPES
A1.02 1 1/2" = 1'-0"



6 FRAMING PLAN
A1.02 1/8" = 1'-0"



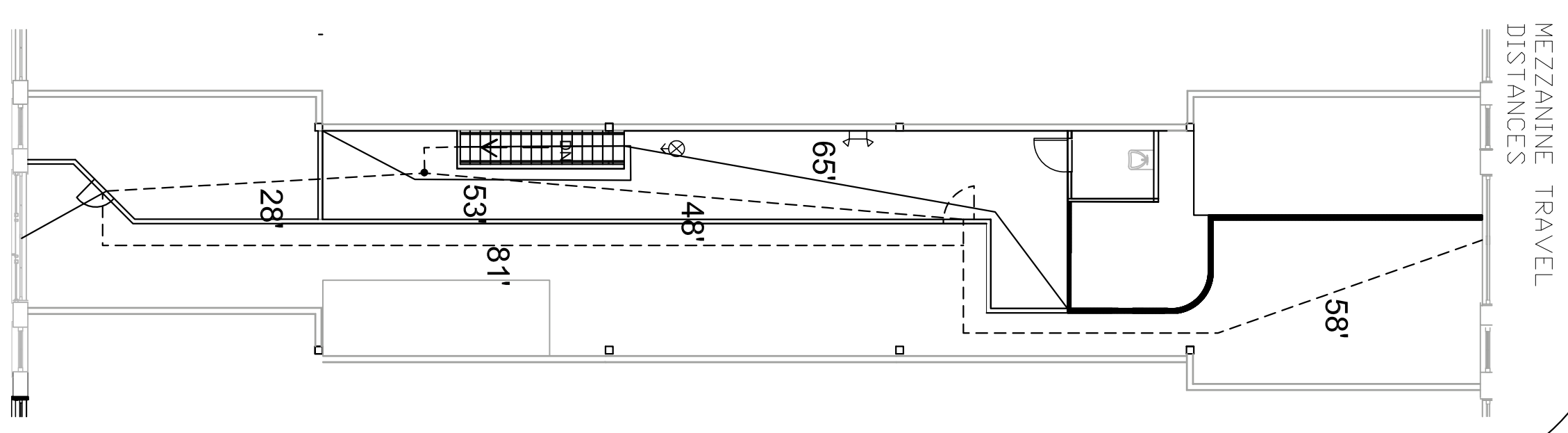
4 STORAGE ELEVATION
A1.02 1/2" = 1'-0"



9 BATHROOM ELEVATIONS
A1.02 1/2" = 1'-0"

CODE ANALYSIS
CONSTRUCTION TYPE 3B
OCCUPANCY TYPE: A3 (MUSEUM UNDER IBC 2012)
SQUARE FOOTAGE:
1ST FLOOR 753 S.F./30 = 25 OCCUPANTS
MEZZANINE 520 S.F./30 = 17 OCCUPANTS
TOTAL = 42 OCCUPANTS (21 MEN, 21 WOMEN)
COMMON SPACE - 20 SEATS
TOTAL-MUSEUM + COMMON
42+20=62 (31 MEN, 31 WOMEN)
UNIFORM PLUMBING CODE:
MEN - 1 TOILET, 1 URINAL, 1 LAV
WOMEN - 3 TOILETS, 1 LAV
IBC 2009
MEN - 1 TOILET, 1 LAV
WOMEN - 1 TOILET, 1 LAV
MEZZANINE -
516 S.F.
STORAGE - 45 S.F. (520 X 10)
OVERLOADING 1,560 S.F. (1,560 S.F./3=520)
MEZZ TRAVEL DISTANCES TO NEW EGRESS
PATH <75'
SINGLE EGRESS FROM MEZZANINE
TOTAL TRAVEL DISTANCE
LONGEST OPTION - 65'+28'+81'+58' = 232'
ALLOWED <250' W/ SPRINKLER

IBC 2012 TABLE 1004.12
IBC 2009 2902.1
IBC 2009 505.4 EX. 3
IBC 2009 505.2
IBC 1014.3
IBC 505.3
IBC TABLE 1016.1



Date: 11-20-2015
Scale: AS NOTED
Revisions:
11-20-2015 SUBMITTED FOR PERMIT
1-26-2016 RESPONSE TO BUILDING INSPECTIONS
2-1-2016 RESPONSE TO BUILDING INSPECTIONS
DETAILS, FRAMING & DOOR SCHEDULE

Project: BRICK NORTH
CRYPTOZOOLOGY MUSEUM
THOMPSON'S POINT, PORTLAND ME

Architect: ARCHETYPE
48 Union Wharf Portland, Maine 04101
(207) 772-6022 Fax (207) 772-4056

Consultant:
Prepared For:

REGISTERED ARCHITECT
SULLIVAN
REINHART
HITCHCOCK
KAPLAN
STATE OF MAINE

A1.02