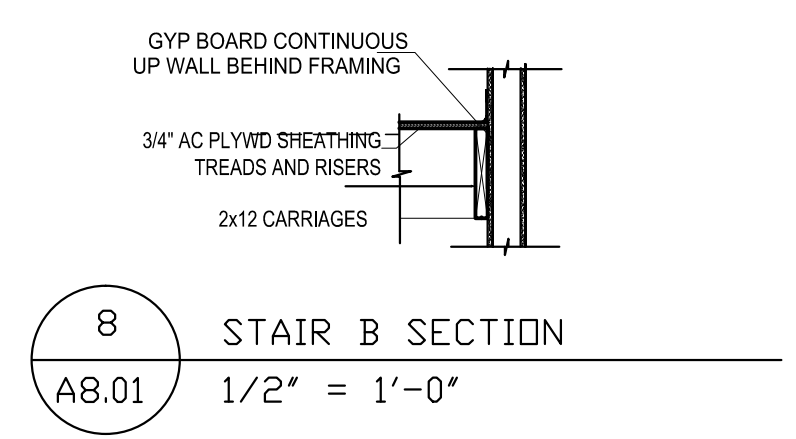
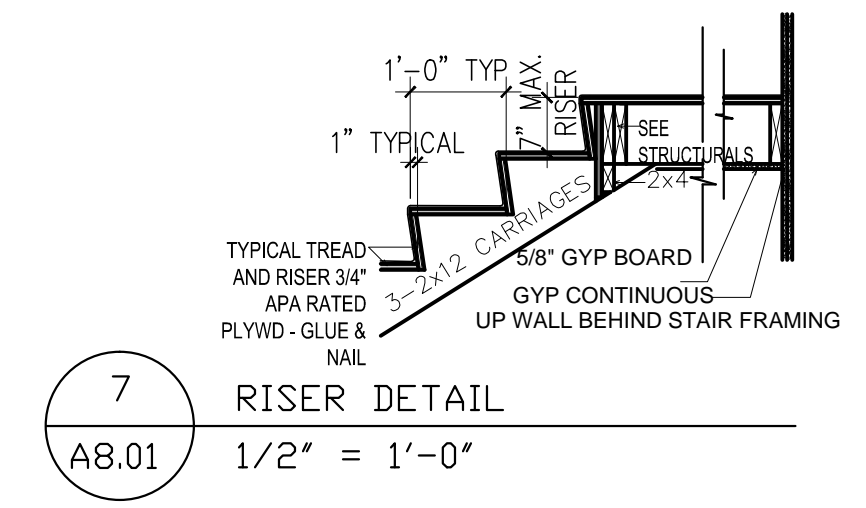
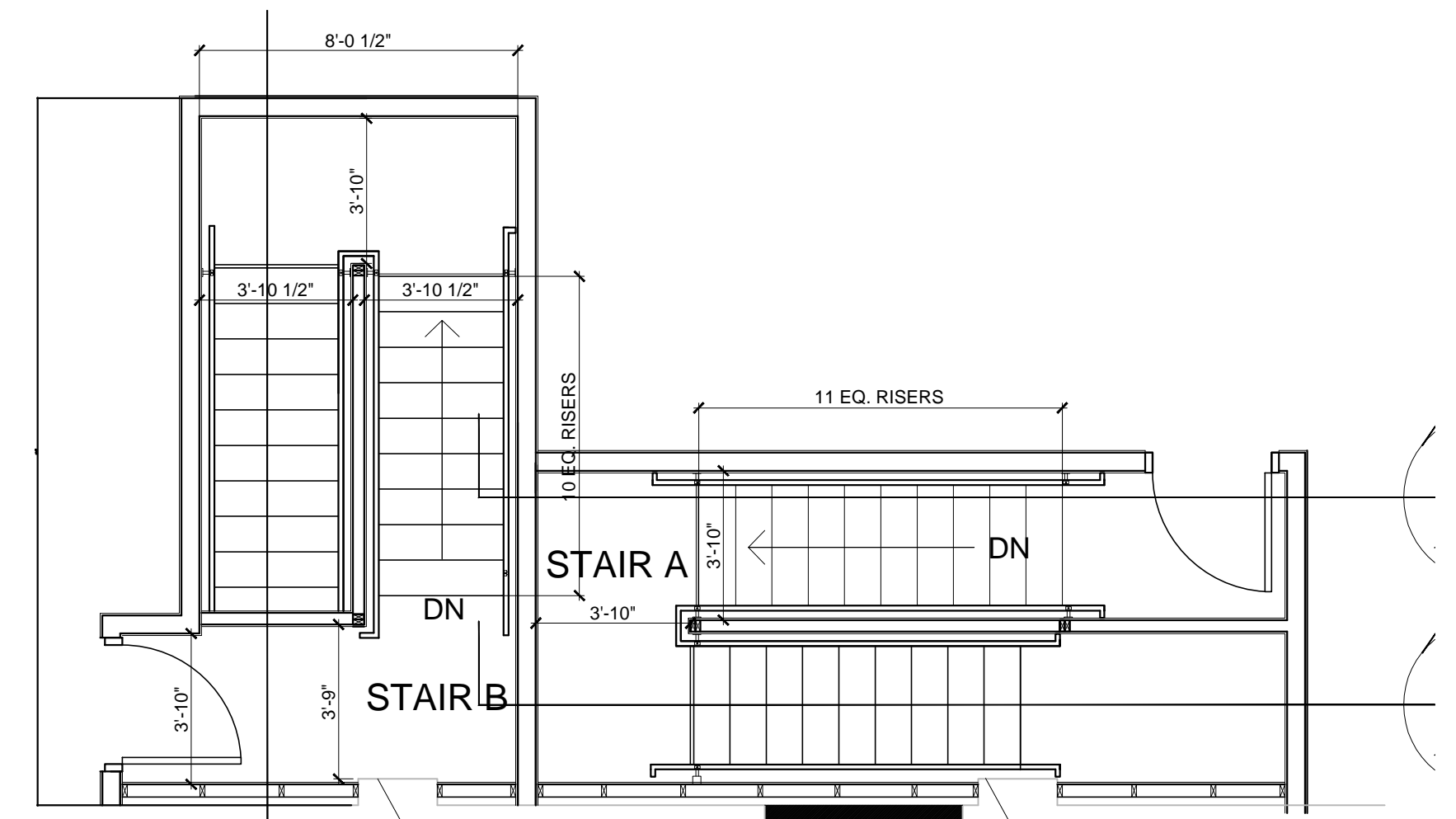


4 STAIR B SECTION
A8.01 1/4" = 1'-0"

1 STAIR A SECTION
A8.01 1/4" = 1'-0"

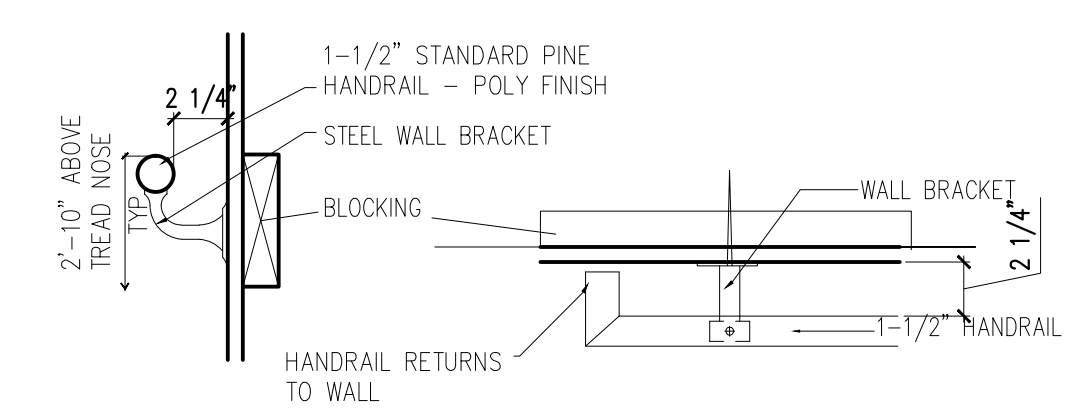
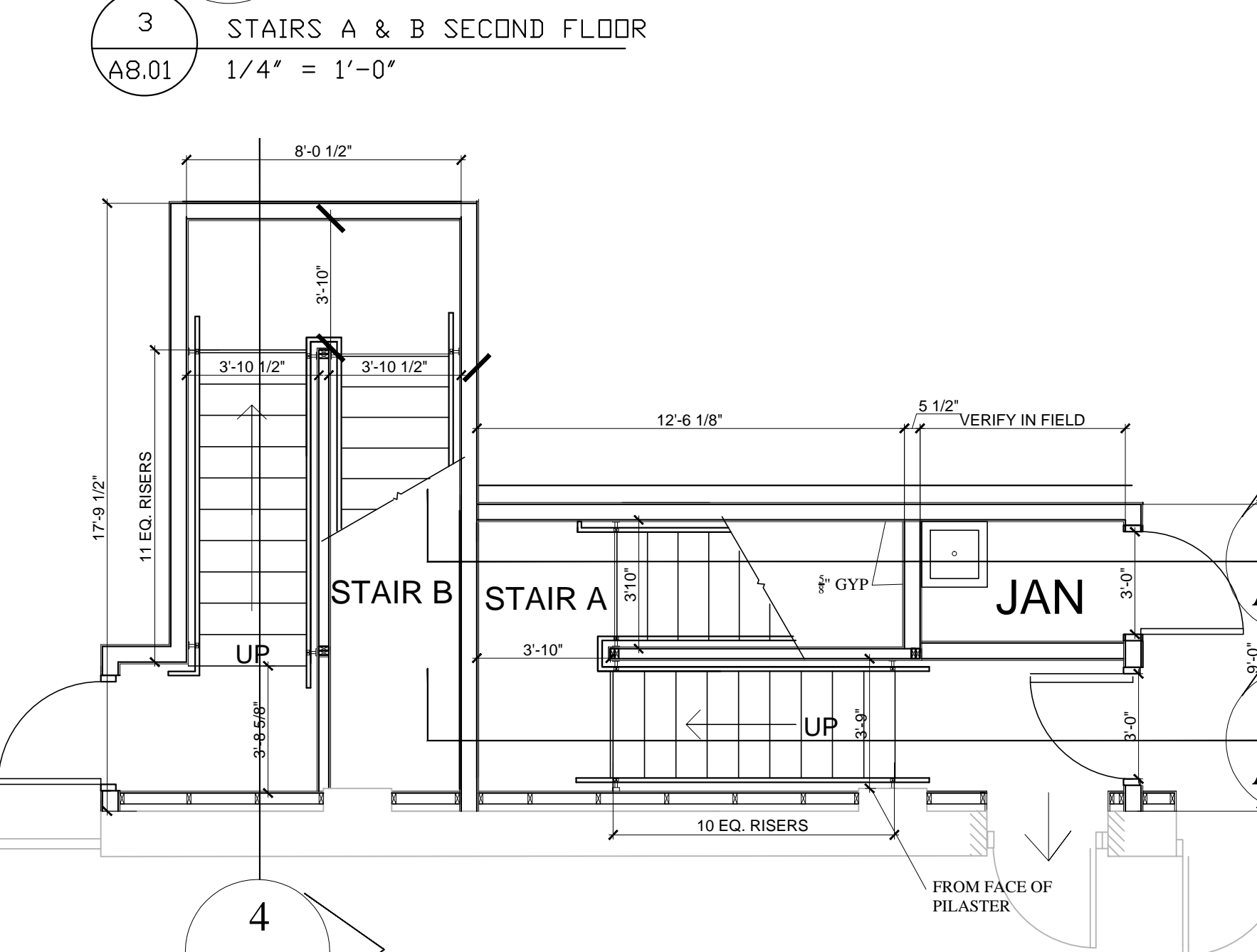
5 JANITOR'S CLOSET SECTION
A8.01 1/4" = 1'-0"



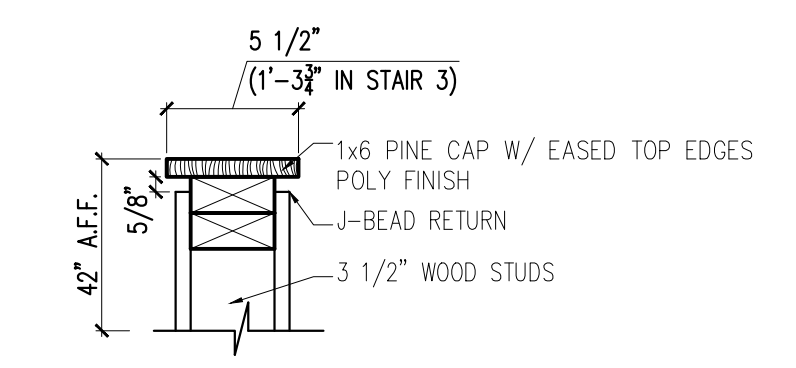
3 STAIRS A & B SECOND FLOOR
A8.01 1/4" = 1'-0"

7 RISER DETAIL
A8.01 1/2" = 1'-0"

8 STAIR B SECTION
A8.01 1/2" = 1'-0"



9 HANDRAIL DETAIL
A8.01 1 1/2" = 1'-0"



10 HALF WALL CAP DETAIL
A8.01 1 1/2" = 1'-0"

2 STAIRS A & B FIRST FLOOR
A8.01 1/4" = 1'-0"

Prepared For:

Consultant:

Architect: ARCHETYPE
48 Union Wharf Portland, Maine 04101
(207) 772-6022 Fax (207) 772-4056

Project: BRICK NORTH WEST WING PHASE 2 STAIR & DECK INFILL
THOMPSON'S POINT, PORTLAND ME

Revisions: 3-26-2015 SUBMITTED FOR PERMIT

Date: 3-10-2015
Scale: AS NOTED
STAIR PLANS & SECTIONS

A8.01