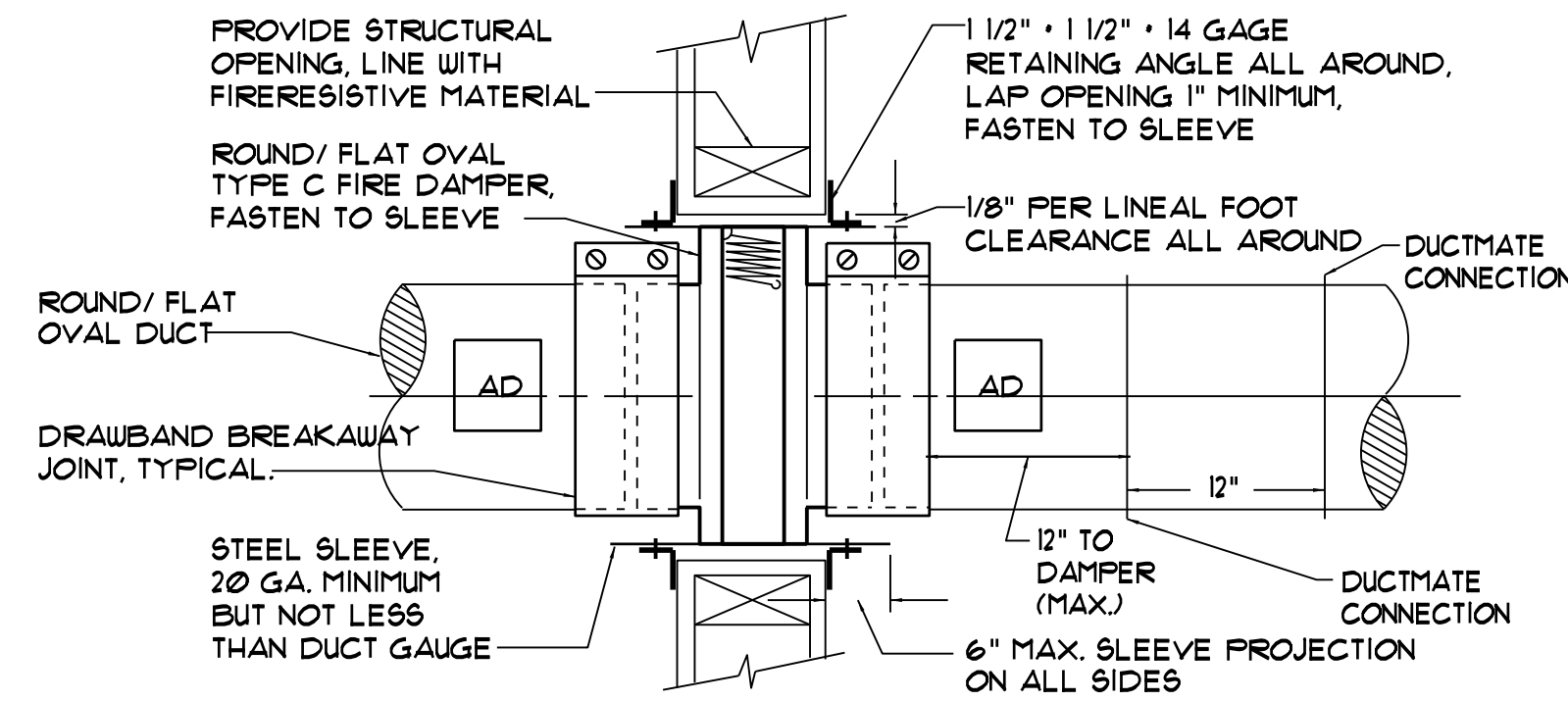
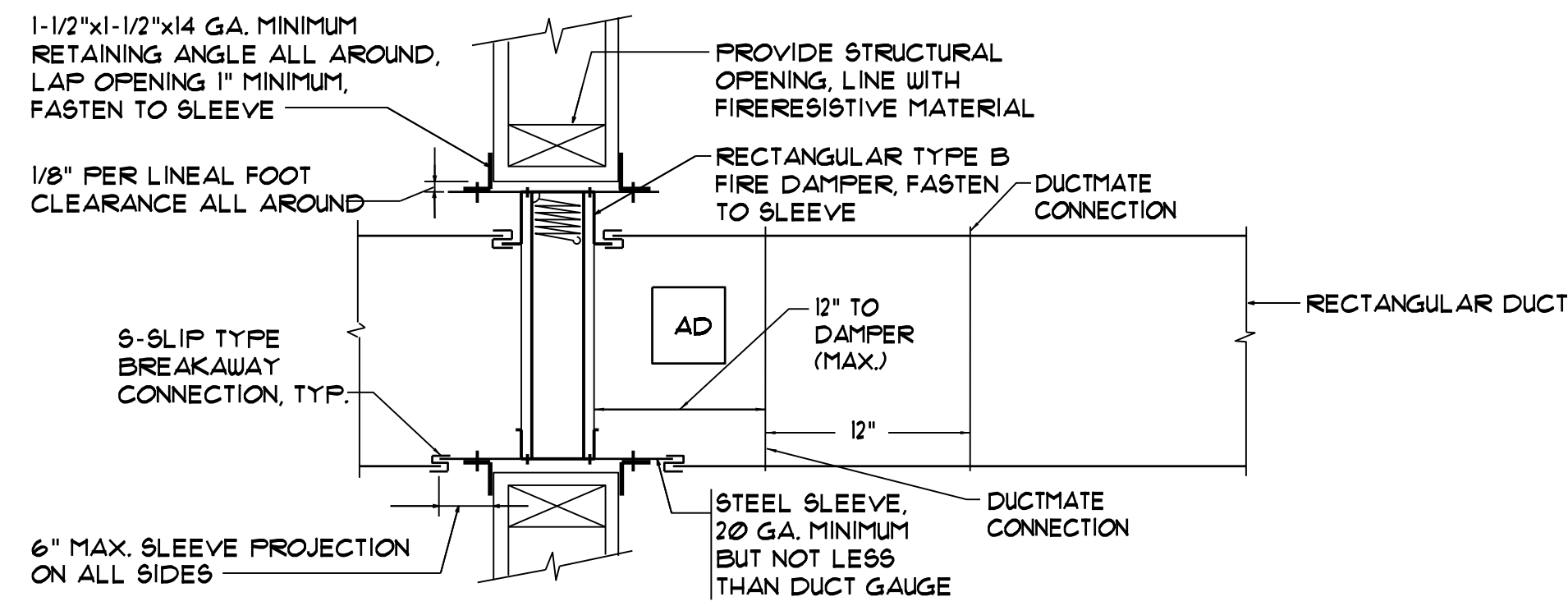


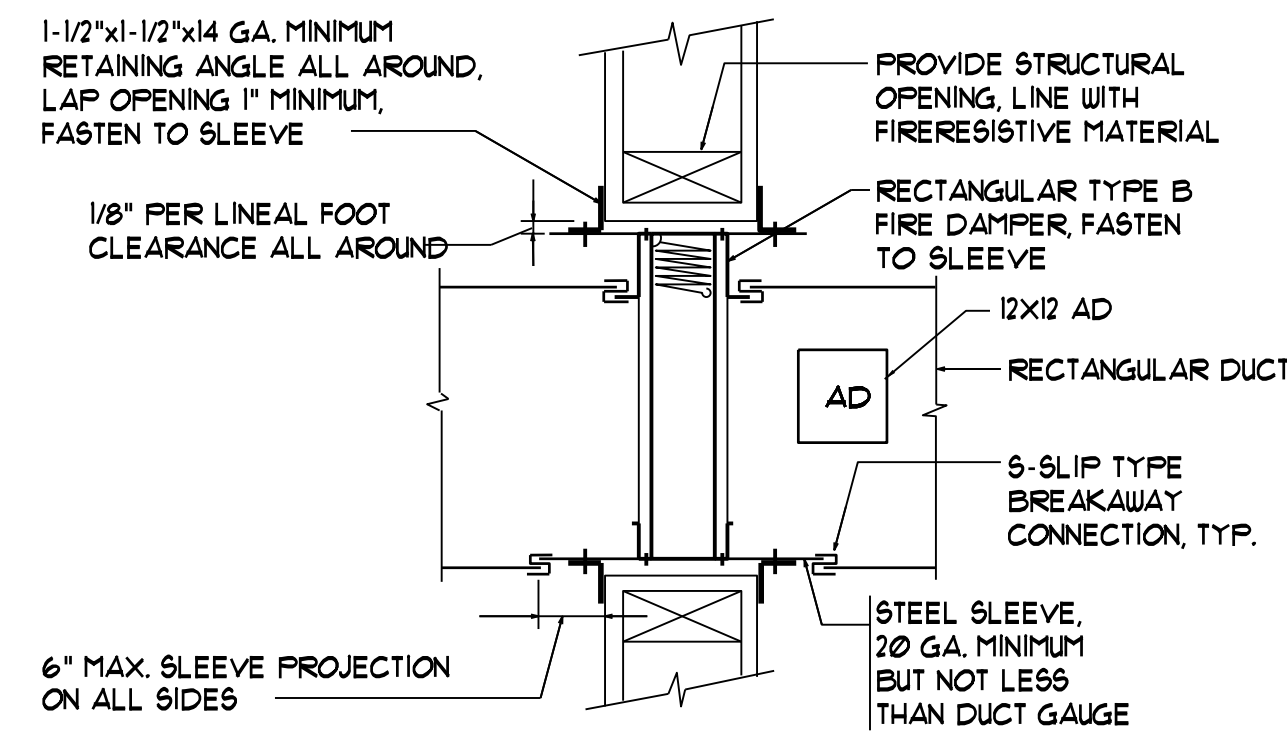
**ROUND/FLAT OVAL FIRE DAMPER
INSTALLATION DETAIL**
NTS



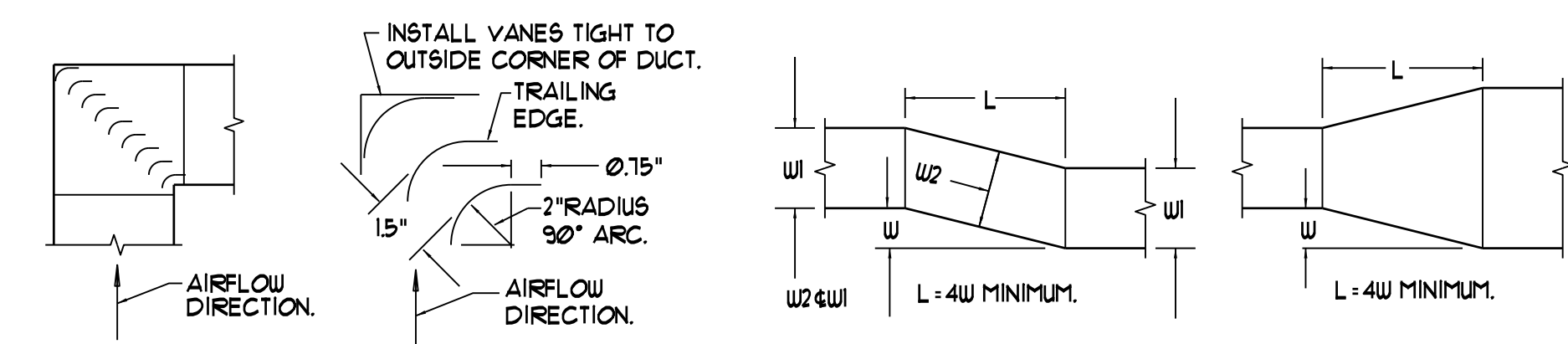
**ROUND/FLAT OVAL FIRE DAMPER INSTALLATION DETAIL
WHERE A 12x12 ACCESS DOOR IS NOT POSSIBLE**
NTS



**RECTANGULAR FIRE DAMPER INSTALLATION DETAIL
WHERE 12x12 ACCESS DOOR IS NOT POSSIBLE**
NTS



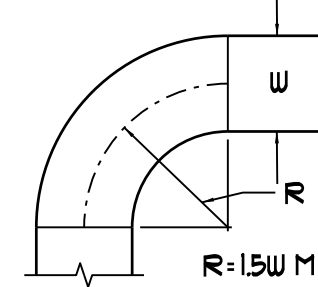
**RECTANGULAR FIRE DAMPER
INSTALLATION DETAIL**
NTS



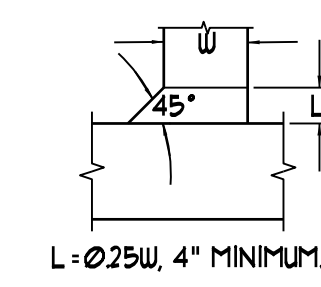
RECT. ELBOW W/TURNING VANES
NTS NOTE: INSTALL VANE EDGES TO PROJECT TANGENTS PARALLEL TO DUCT SIDES.

**OFFSET TYPE 1
(ANGLED)**
NTS

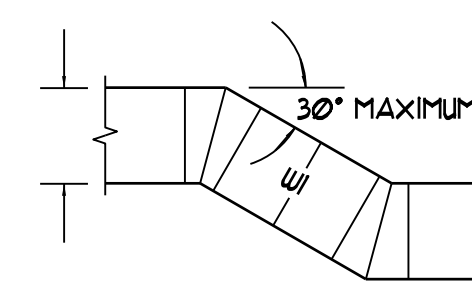
**CONCENTRIC
TRANSITION**
NTS



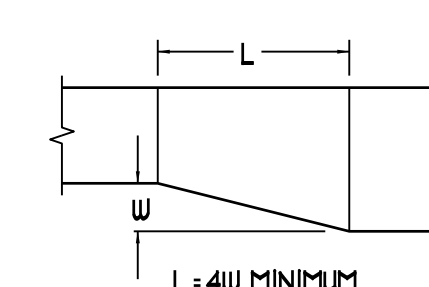
**RADIUS
ELBOW**
NTS



**RECTANGULAR TAP
45 DEGREE ENTRY**
NTS

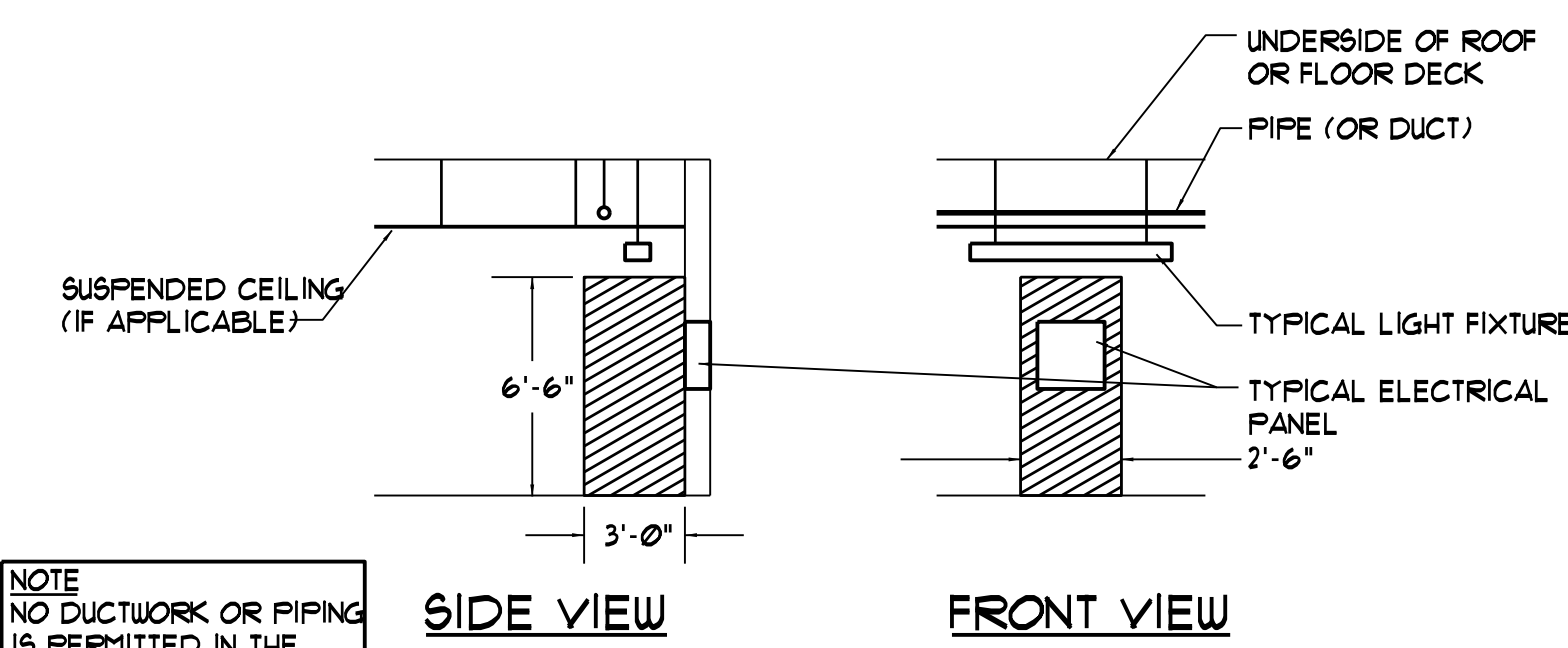


**OFFSET TYPE 2
(MITERED)**
NTS



**ECCENTRIC
TRANSITION**
NTS

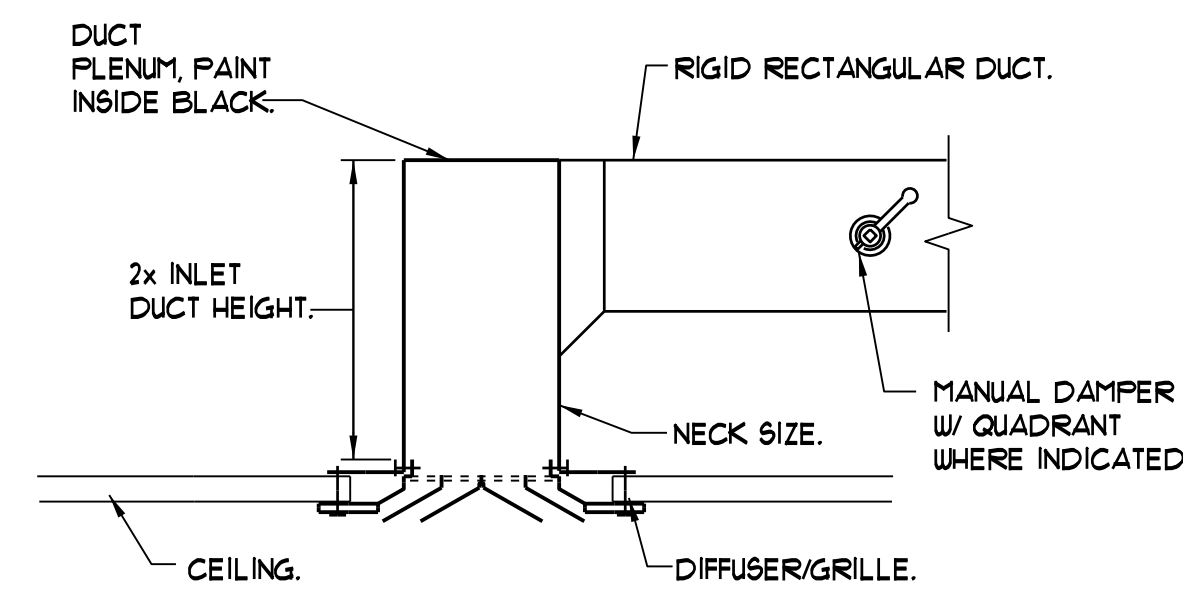
LOW PRESSURE DUCT CONSTRUCTION DETAILS - TYPICAL
NTS



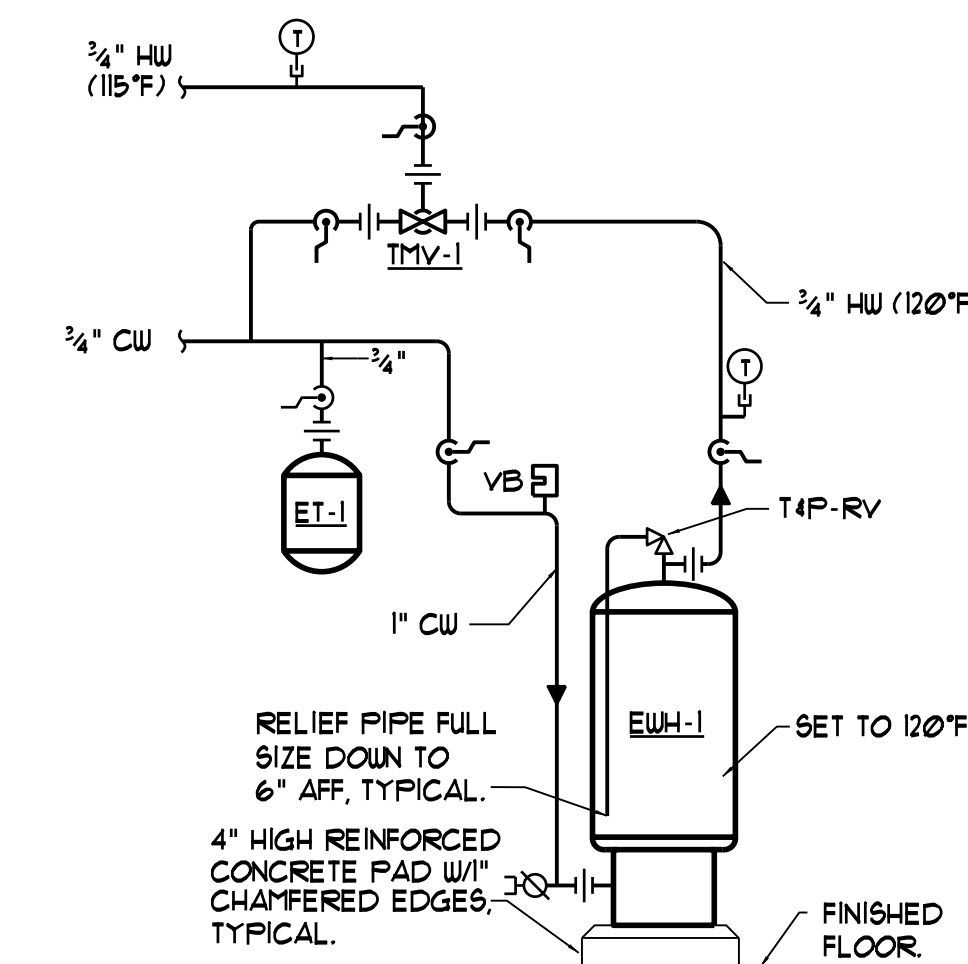
CLEARANCES AT ELECTRICAL PANELS
NTS

NOTE: NO DUCTWORK OR PIPING IS PERMITTED IN THE HATCHED AREAS.

SEE NEC SECTIONS 110.26 AND 408.18 (2011 EDITION)



DIFFUSER CONNECTION DETAIL
NTS



DOMESTIC HOT WATER PIPING SCHEMATIC
NTS

Prepared For:

Consultant:

Architect:

Project: **BRICK NORTH
COLOR ME MINE FITUP**

THOMPSON'S POINT,
PORTLAND ME

Revisions:

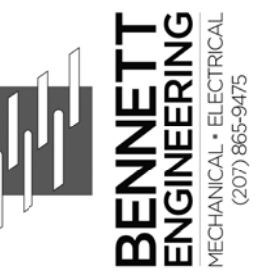
Scale: 1/8" = 1'-0"

Date: 10-17-2014

PROGRESS PRINT
NOT FOR CONSTRUCTION

MECHANICAL DETAILS

M2



**BENNETT
ENGINEERING**
MECHANICAL, ELECTRICAL
AND PLUMBING