

FIRST FLOOR PLUMBING PLAN
SCALE - 1/8" = 1'-0"

FAN PERFORMANCE SCHEDULE													
TAG	AIRFLOW (CFM)	T.S.P (IN.WG)	NOISE (SONES)	RPM	DRIVE	ELECTRICAL REQUIREMENTS				BASIS OF DESIGN = GREENHECK			
						HP	BHP	WATTS	AMPS	V/PH/Hz	SERVICE	ARRANGEMENT	MODEL
EF-2	300	0.5	13.2	15	DIRECT	1/6	-	-	-	120/1/60	KILN RM EXHAUST	DOWNBLAST	G-085-VG*

* EF-2 HAS A VARIABLE SPEED ECM (GREENHECK VARI-GREEN) MOTORS, 0-10V SIGNAL INPUT.

TEMPERATURE MIXING VALVE PERFORMANCE SCHEDULE									
TAG	FLOW RATE (GPM)	INLET CONNECTION (INCHES)	OUTLET CONNECTION (INCHES)	W/P.D (PSIG)	SET POINT (DEGREES F)	PROVIDE SPARE CARTRIDGE (Y) OR (N)	BASIS OF DESIGN = SYMMONS		
							SERVICE	ARRANGEMENT	MODEL
TMV-1	4.5	1/2"	1/2"	1.0	115°F	Y	DOM HW	WALL	1-225-CK

EXPANSION TANK PERFORMANCE SCHEDULE									
TAG	TANK VOLUME (GAL)	ACCEPTANCE VOLUME (GAL)	MIN. REQ'D. ACCEPT. VOL. (GAL)	MAX. WORK'G. TEMPERATURE (DEG F)	MAX. WORK'G. PRESSURE (PSI)	WEIGHT (LBS.)	BASIS OF DESIGN = AMTROL		
							MOUNTING	SERVICE	MODEL
ET-1	5.0	5.0	-	240	125	90	INLINE	EW-1	ST-12

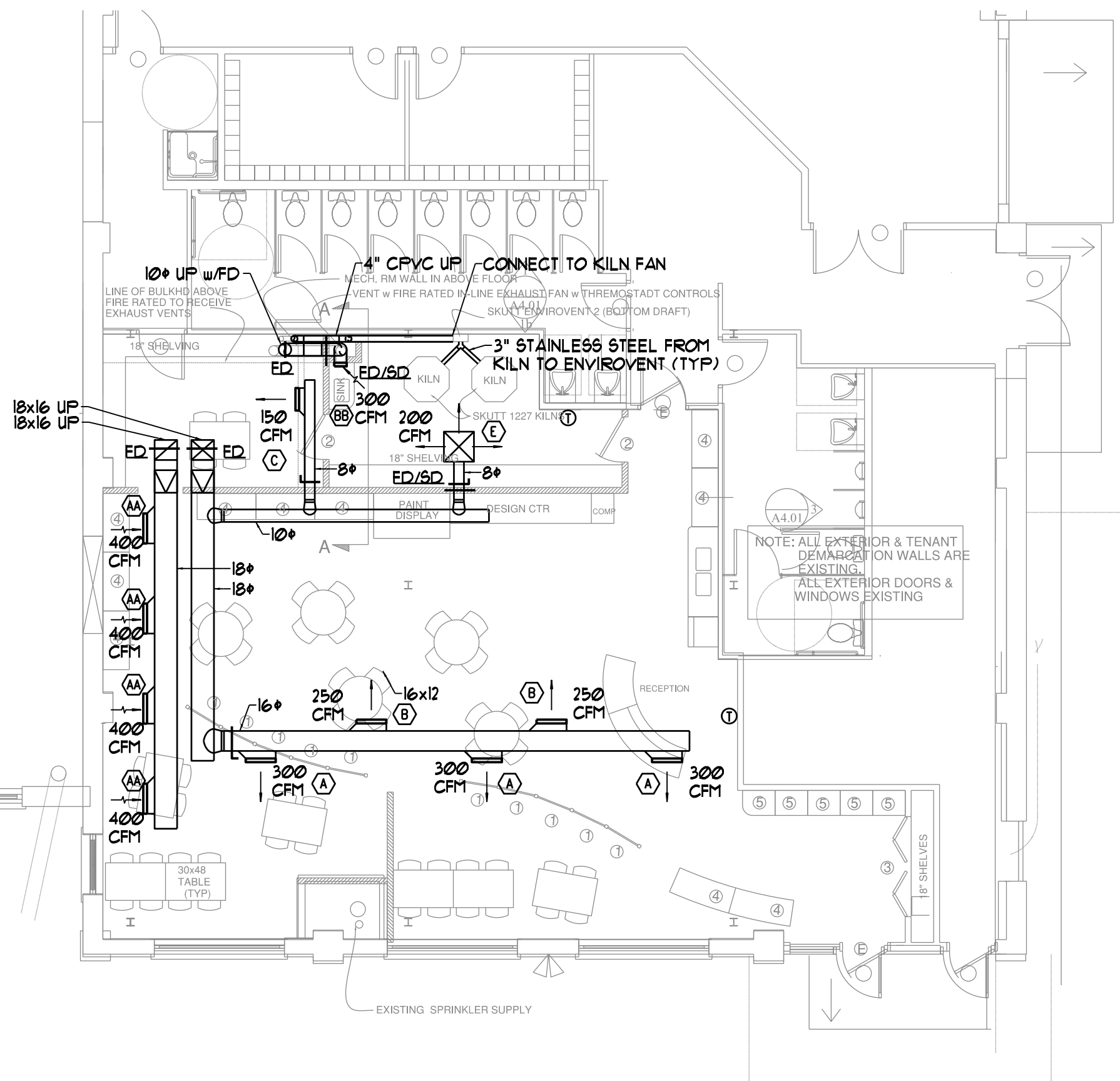
AIR DEVICE PERFORMANCE SCHEDULE									
TAG	PANEL SIZE (IN)	NECK SIZE (IN)	AIRFLOW (CFM)	SPLOSS (IN.WG)	THROU(L)	Nc	BASIS OF DESIGN - METALAIR		
							DUCT CONN(IN)	PATTERN	MODEL
A	-	16x6	300	0.05	-	25	SEE DWGS	DBL DEFL	40045P
B	-	14x6	250	0.05	-	25	SEE DWGS	DBL DEFL	40045P
C	-	16x4	150	0.05	-	25	SEE DWGS	DBL DEFL	40045P
D	24x24	8"x	250	0.05	-	25	SEE DWGS	SEE DWGS	5000D
AA	-	20x6	400	0.05	-	25	SEE DWGS	1/2", 45"	40045P
BB	-	16x6	300	0.05	-	25	SEE DWGS	1/2", 45"	40045P

PLUMBING FIXTURE CONNECTION SCHEDULE					
TAG	DESCRIPTION	SAN	VENT	CW	HW
P-1	ADA DOUBLE BOWL SS SINK*	1-1/2"	1-1/2"	1/2"	1/2"
P-2	UTILITY SINK	3"	2"	3/4"	3/4"

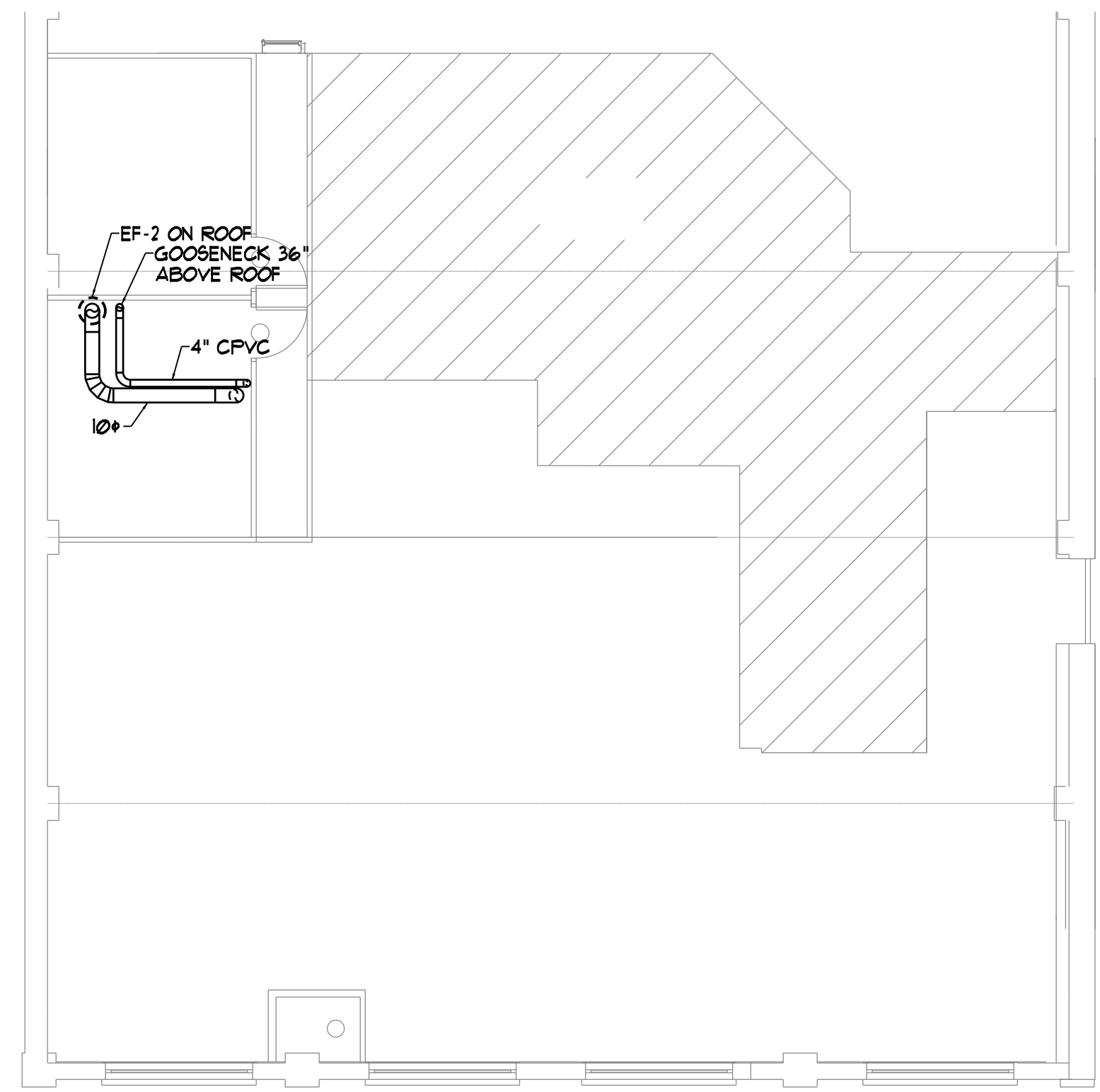
MINIMUM SIZE OF BELOW SLAB SANITARY 4 VENT PIPING SHALL BE 2".
* - SINK SHALL HAVE TWO FAUCETS.

ELECTRIC WATER HEATER PERFORMANCE SCHEDULE						
TAG	STORAGE (GALS)	REC.VRY. @ 100°F	ELECTRICAL REQ'S		BASIS OF DESIGN - A.O. SMITH	
			WATTS	V/PH/Hz	SERVICE	MODEL
EW-1	40.0	36.0	4500/4500	240/1/60	DOM HW	DEN-40

** WIRED FOR SIMULTANEOUS OPERATION



FIRST FLOOR MECHANICAL PLAN
SCALE - 1/8" = 1'-0"



MEZZANINE MECHANICAL PLAN
SCALE - 1/8" = 1'-0"

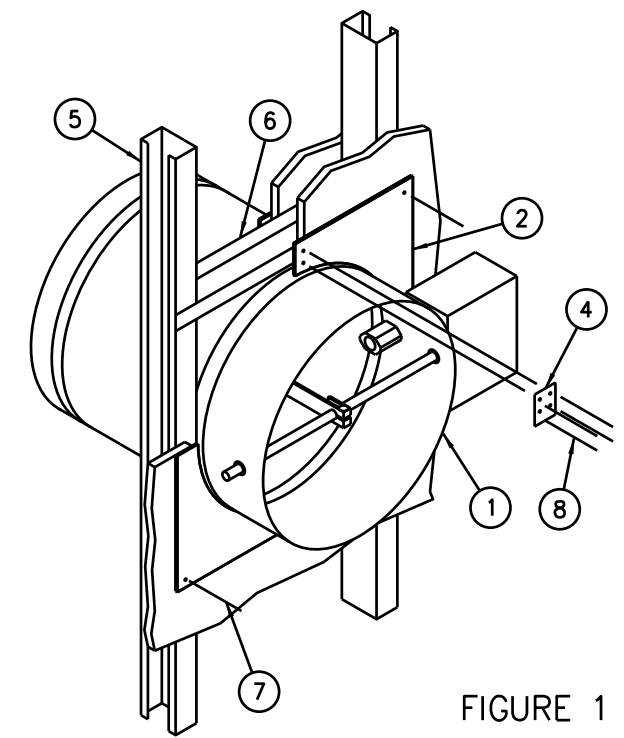


FIGURE 1

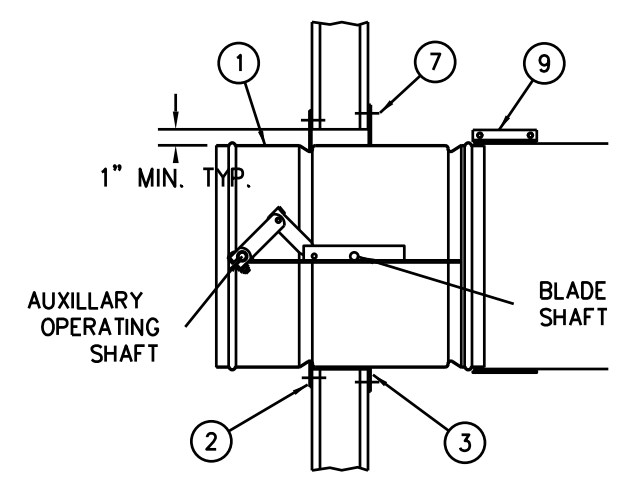


FIGURE 2

- ITEM. DESCRIPTION
- FSDR25 COMBINATION FIRE AND LEAKAGE RATED DAMPER WITH OPERATOR/ACTUATOR (LOCATION MAY VARY), END SWITCH
 - RETAINING PLATE, 20 GA STEEL
 - DAMPER PLATE, 20 GA PLATE
 - SPICE PLATE, 20 GA STEEL, TYP BOTH PLATES
 - STEEL STUD, 25 GA MIN, 2 1/2" WIDE MIN
 - STEEL RUNNER, 25 GA MIN, 2 1/2" WIDE MIN
 - #10 SHEET METAL SCREW
 - 1/8" DIA STEEL POP RIVET, OR #10 X 1/2" SHEET METAL SCREW, OR 1/2" LONG WELDS
 - 4" DRAW BAND

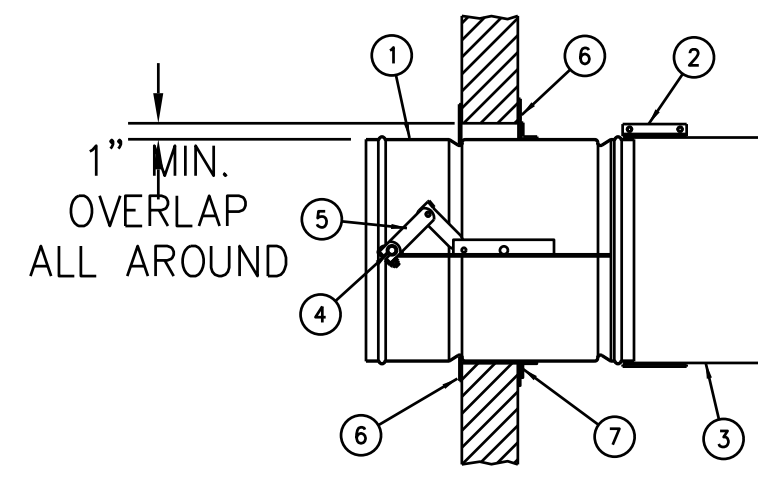
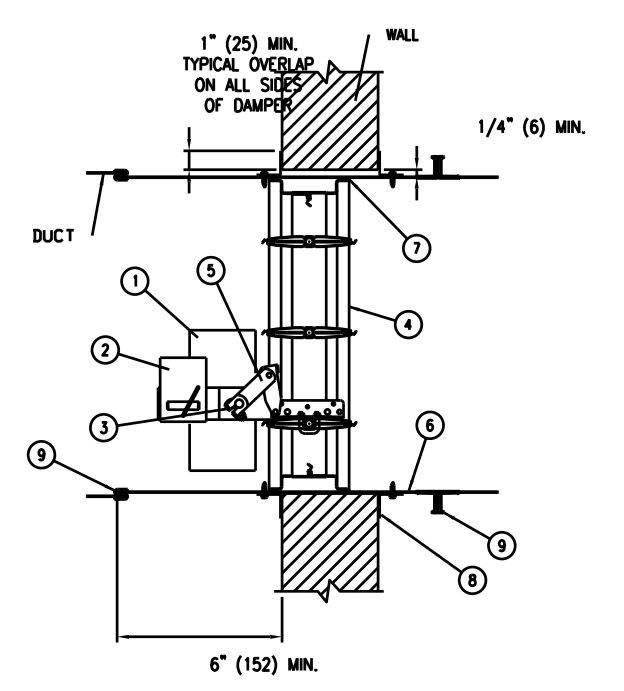
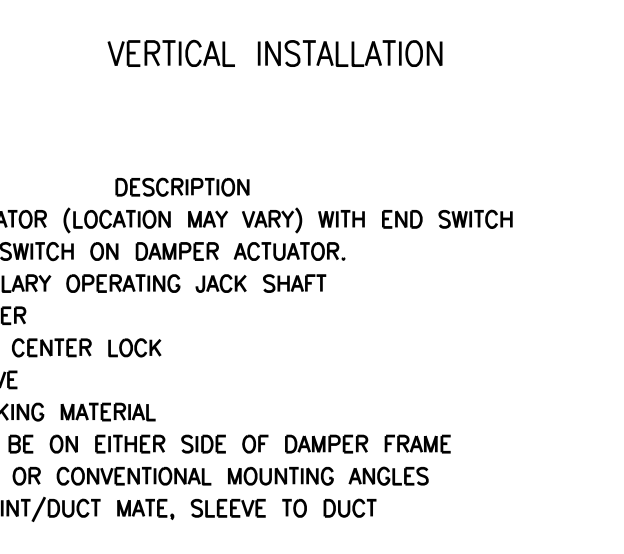


FIGURE 3



TYPICAL AIRFOIL INSTALLATION



VERTICAL INSTALLATION

- ITEM. DESCRIPTION
- FSDR25 COMBINATION FIRE AND LEAKAGE RATED DAMPER WITH OPERATOR/ACTUATOR (LOCATION MAY VARY), END SWITCH
 - 4" DRAW BAND
 - DUCT
 - AUXILIARY OPERATING JACKSHAFT
 - OVER CENTER LOCK
 - DAMPER AND RETAINING PLATES (SEE NOTE 5)
 - RETAINING CLIP 1" X 1" X 1" 16 GA ANGLE (SEE NOTE 5)
- ITEM. DESCRIPTION
- ACTUATOR (LOCATION MAY VARY) WITH END SWITCH
 - END SWITCH ON DAMPER ACTUATOR.
 - AUXILIARY OPERATING JACK SHAFT
 - DAMPER
 - OVER CENTER LOCK
 - SLEEVE
 - CAULKING MATERIAL (MAY BE ON EITHER SIDE OF DAMPER FRAME)
 - PFMA OR CONVENTIONAL MOUNTING ANGLES
 - S-JOINT/DUCT MATE, SLEEVE TO DUCT

COMBINATION FIRE & SMOKE DAMPER INSTALLATION DETAILS

NOTE - TYPICAL AT ALL PENETRATIONS OF FIRE RATED FLOOR/CEILING ASSEMBLIES.
NOTE - PROVIDE EACH WITH END SWITCH, SMOKE DETECTOR BY E.C. REFER TO SPEC.

Prepared For:

Consultant:

Architect:

Project: **BRICK NORTH COLOR ME MINE FITUP**

THOMPSON'S POINT, PORTLAND ME

Revisions:

Scale: 1/8" = 1'-0"

Date: 10-17-2014

MECHANICAL & PLUMBING PLANS

PROGRESS PRINT NOT FOR CONSTRUCTION

M1