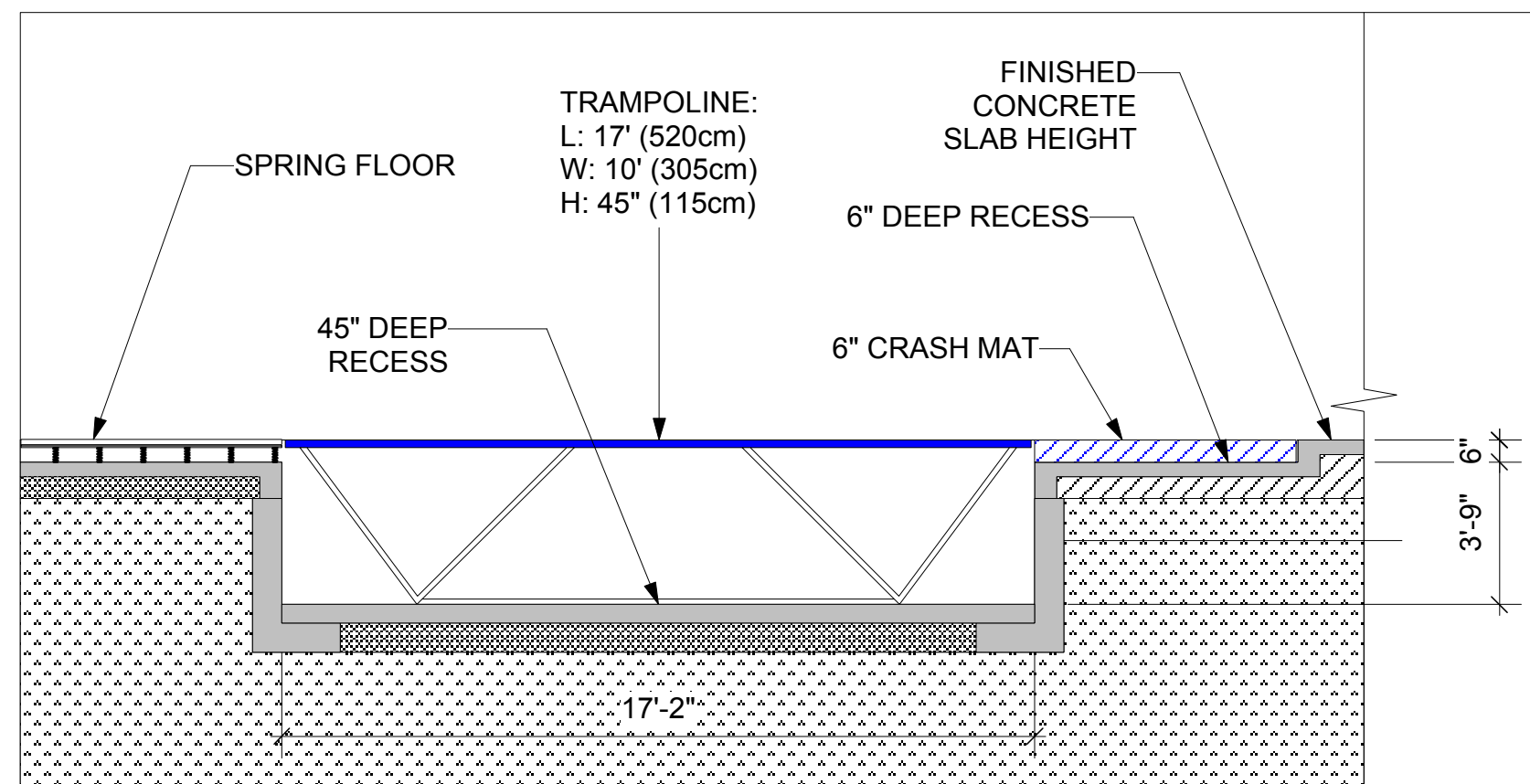
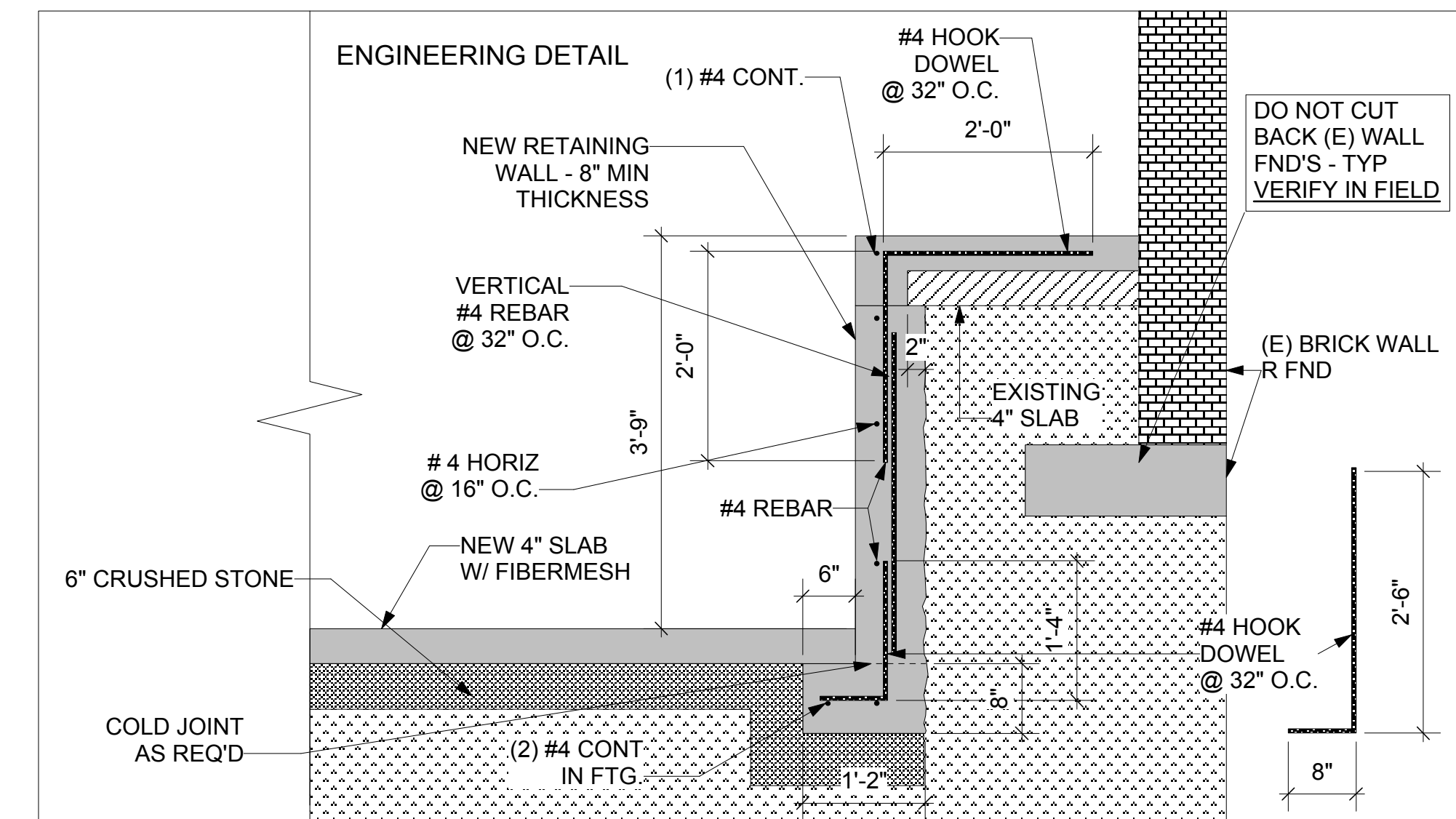


# SHEET A<sub>I</sub> - CIRCUS EQUIPMENT DETAILS

DRAWING 1: TRAMPOLINE AND SPRING FLOOR



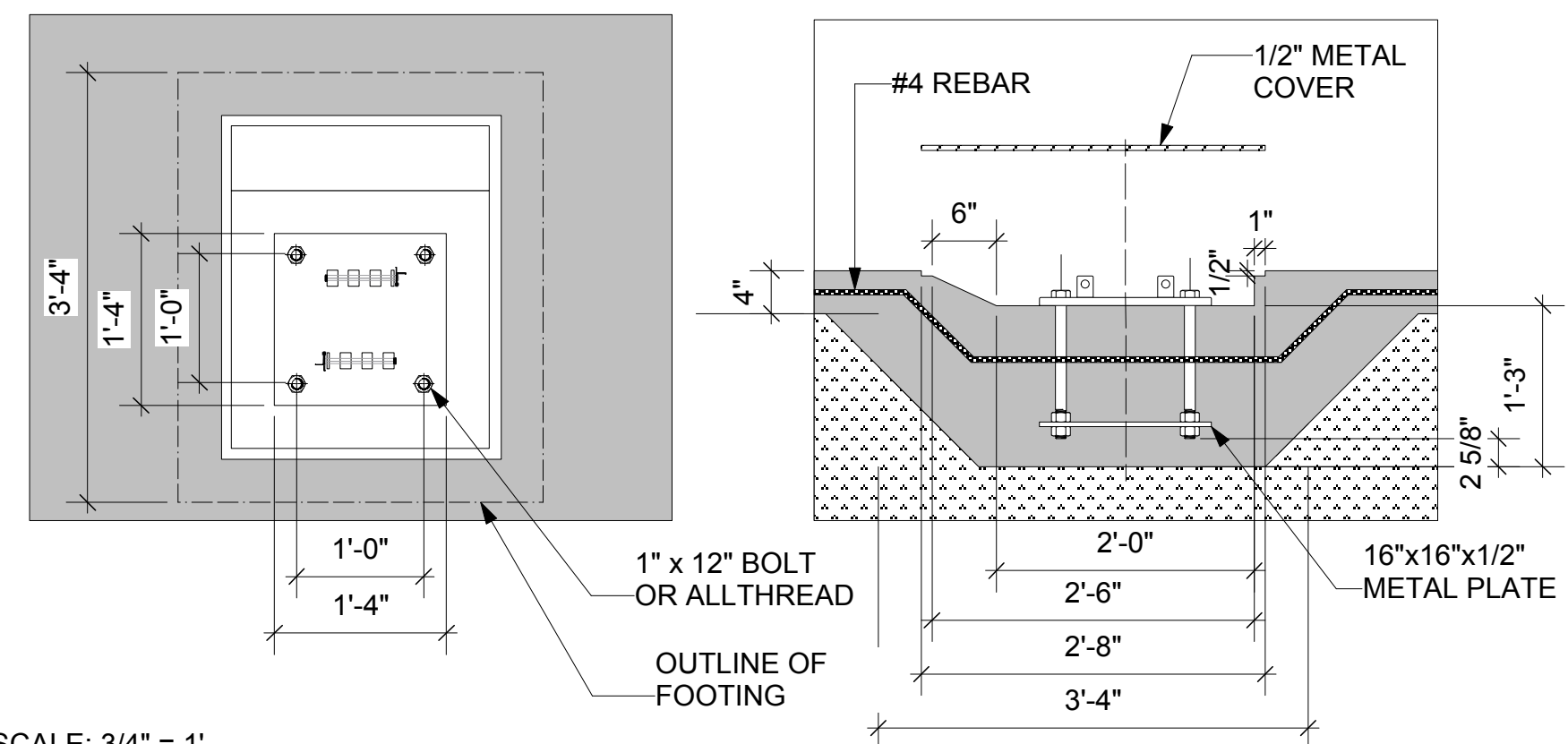
SCALE: 1/4" = 1'



SCALE: 3/4" = 1'

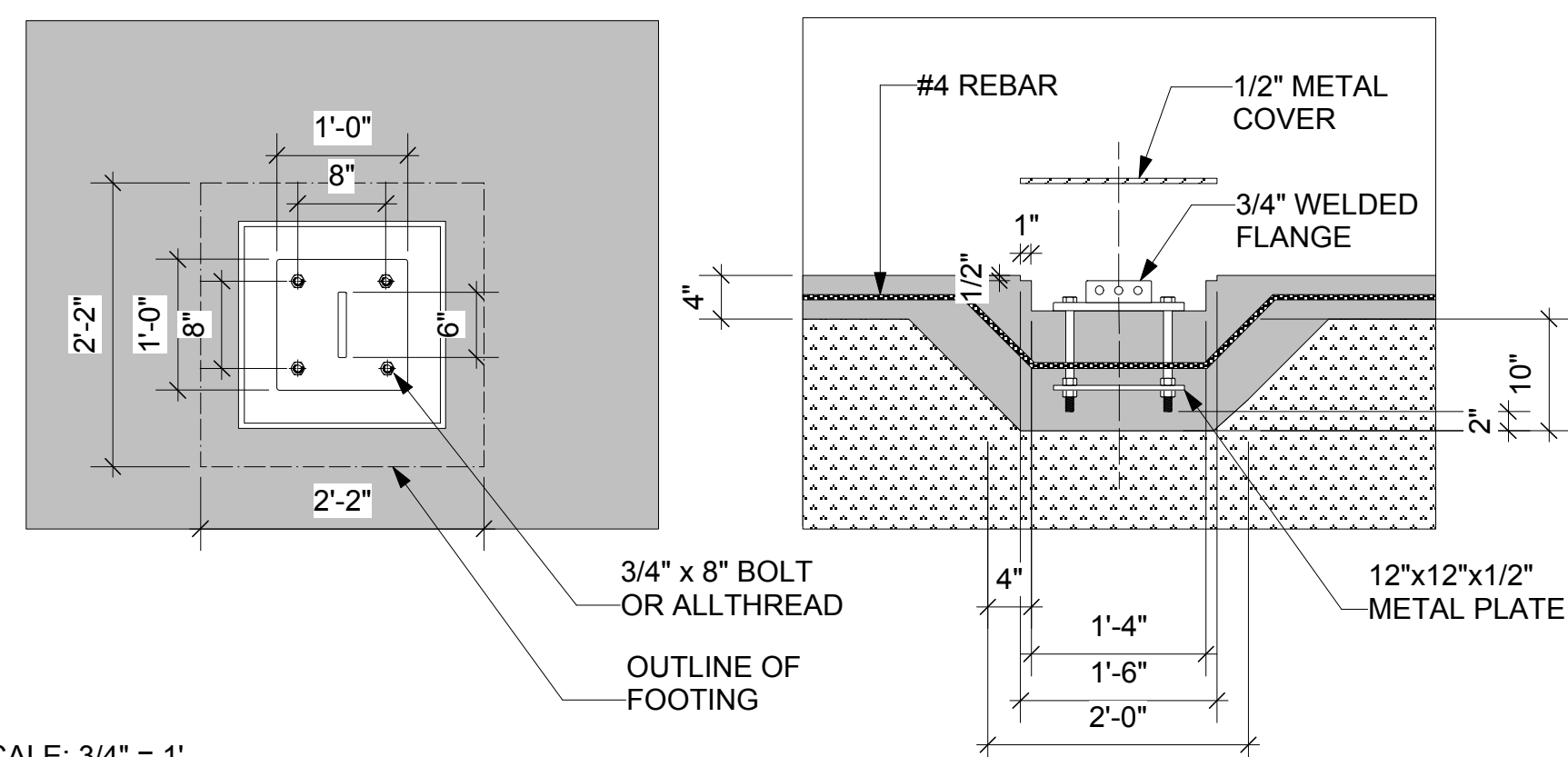


GROUND POINT #1



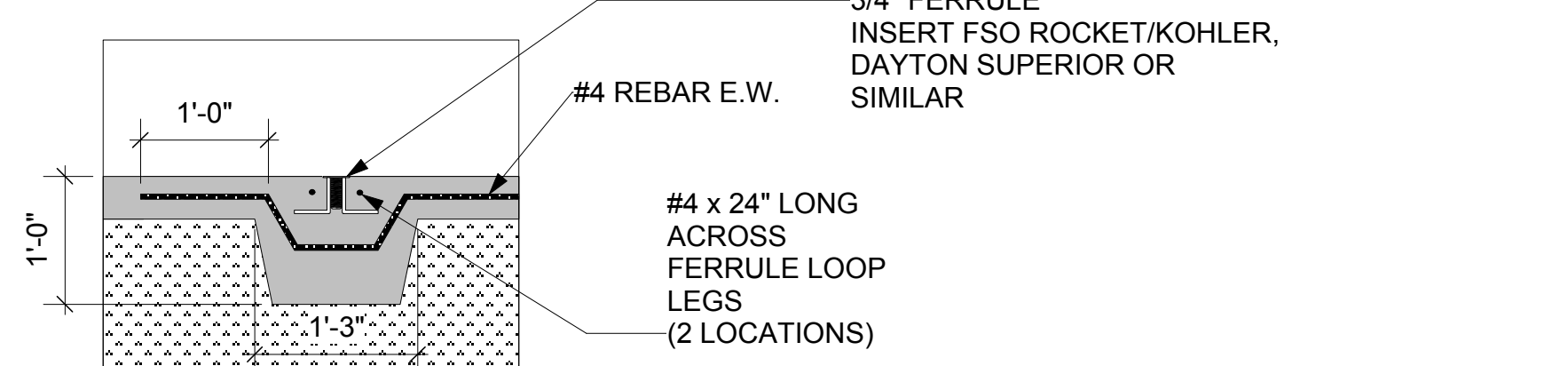
SCALE: 3/4" = 1'

GROUND POINT #2



SCALE: 3/4" = 1'

GROUND POINT #3



SCALE: 3/4" = 1'

EOR: Aaron Jones, PE

DESIGNER: Josh Oliver  
 ENGINEER: Matt Legere  
 DATE: September 9, 2014  
 PAGE: 2/2