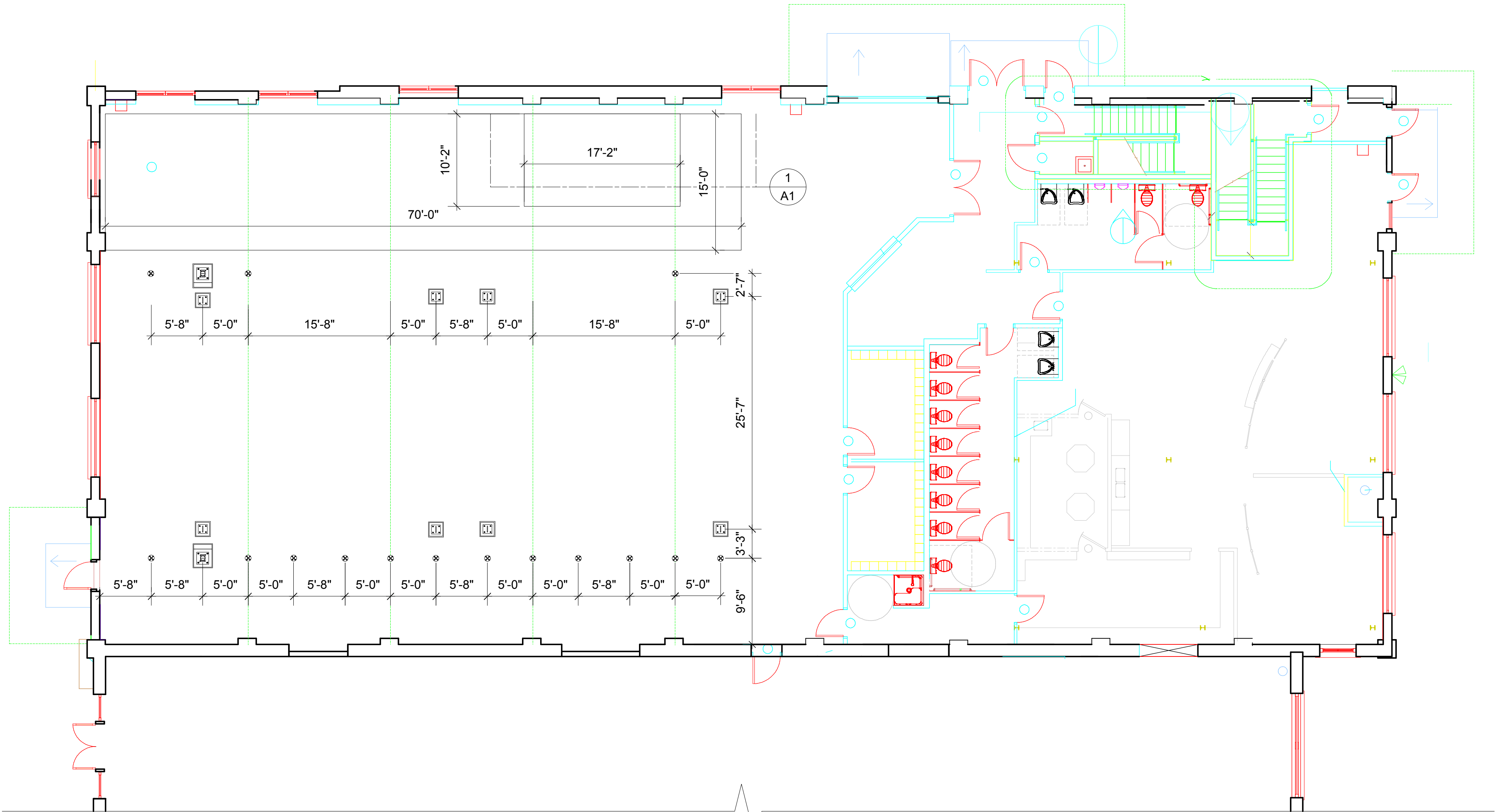
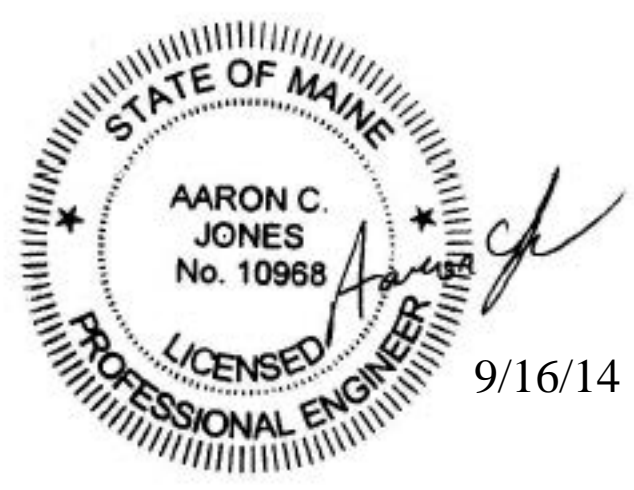


EMBEDMENT LOCATIONS - BRICK NORTH BUILDING - THOMPSON'S POINT PROJECT



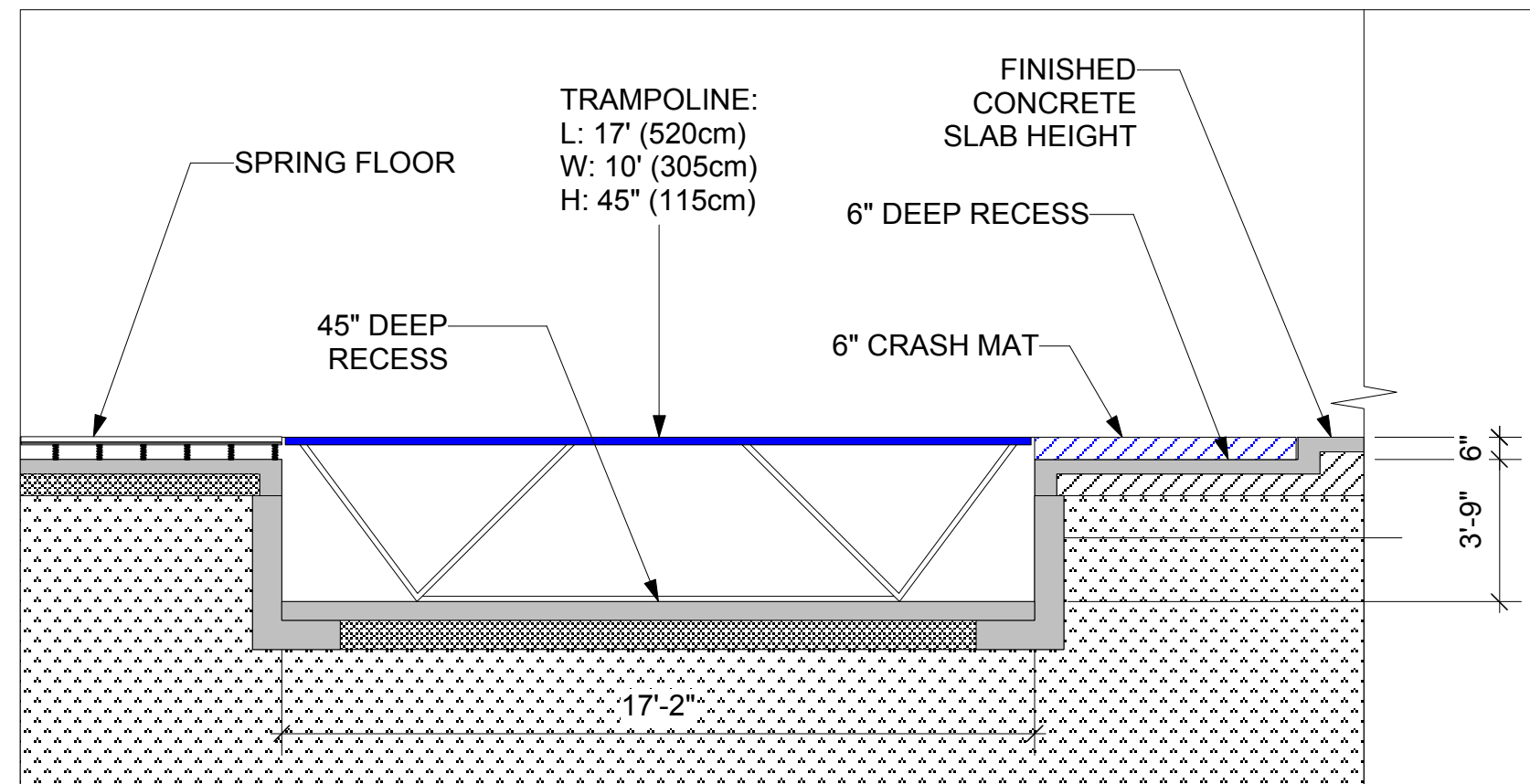
SCALE 1/8" = 1'



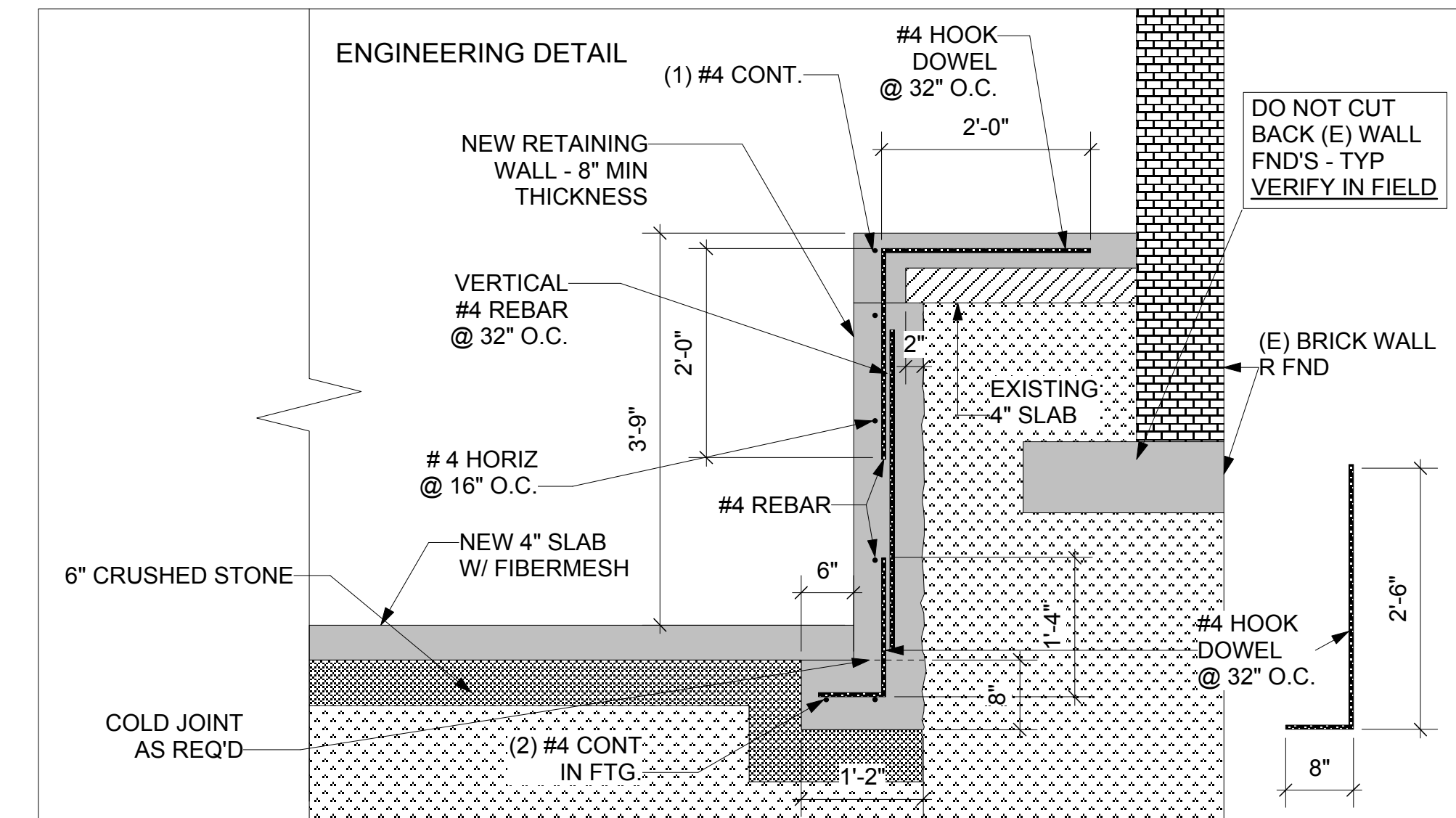
DESIGNER: Josh Oliver
SHELL DRAWING: Archetype
DATE: September 4, 2014
PAGE: 1/1

SHEET A₁ - CIRCUS EQUIPMENT DETAILS

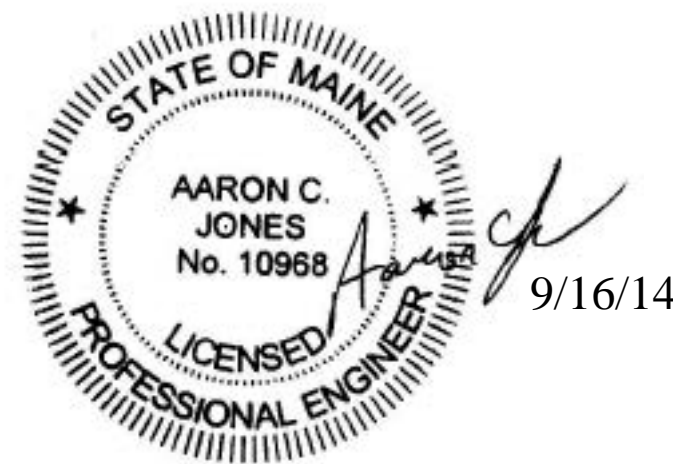
DRAWING 1: TRAMPOLINE AND SPRING FLOOR



SCALE: 1/4" = 1'

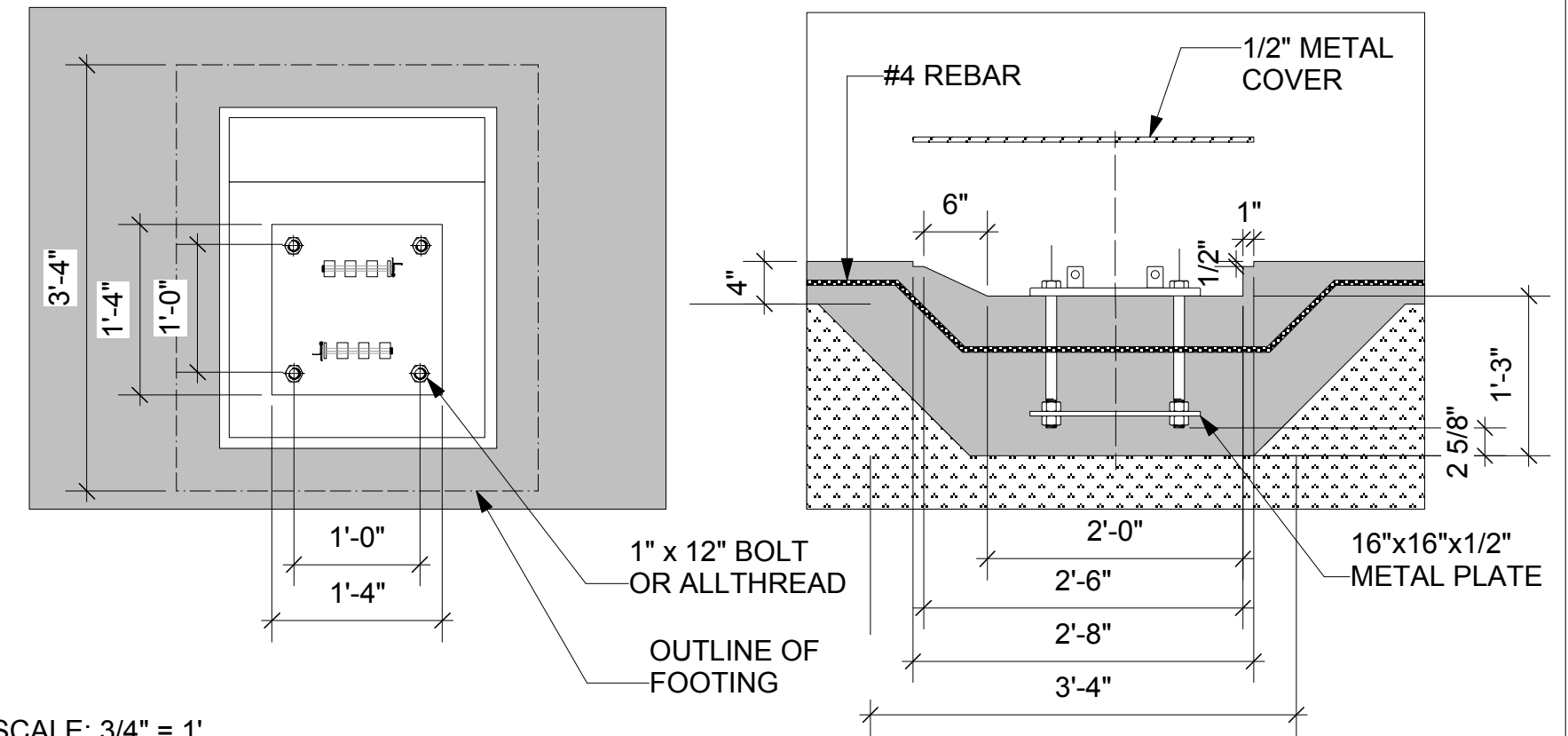


SCALE: 3/4" = 1'



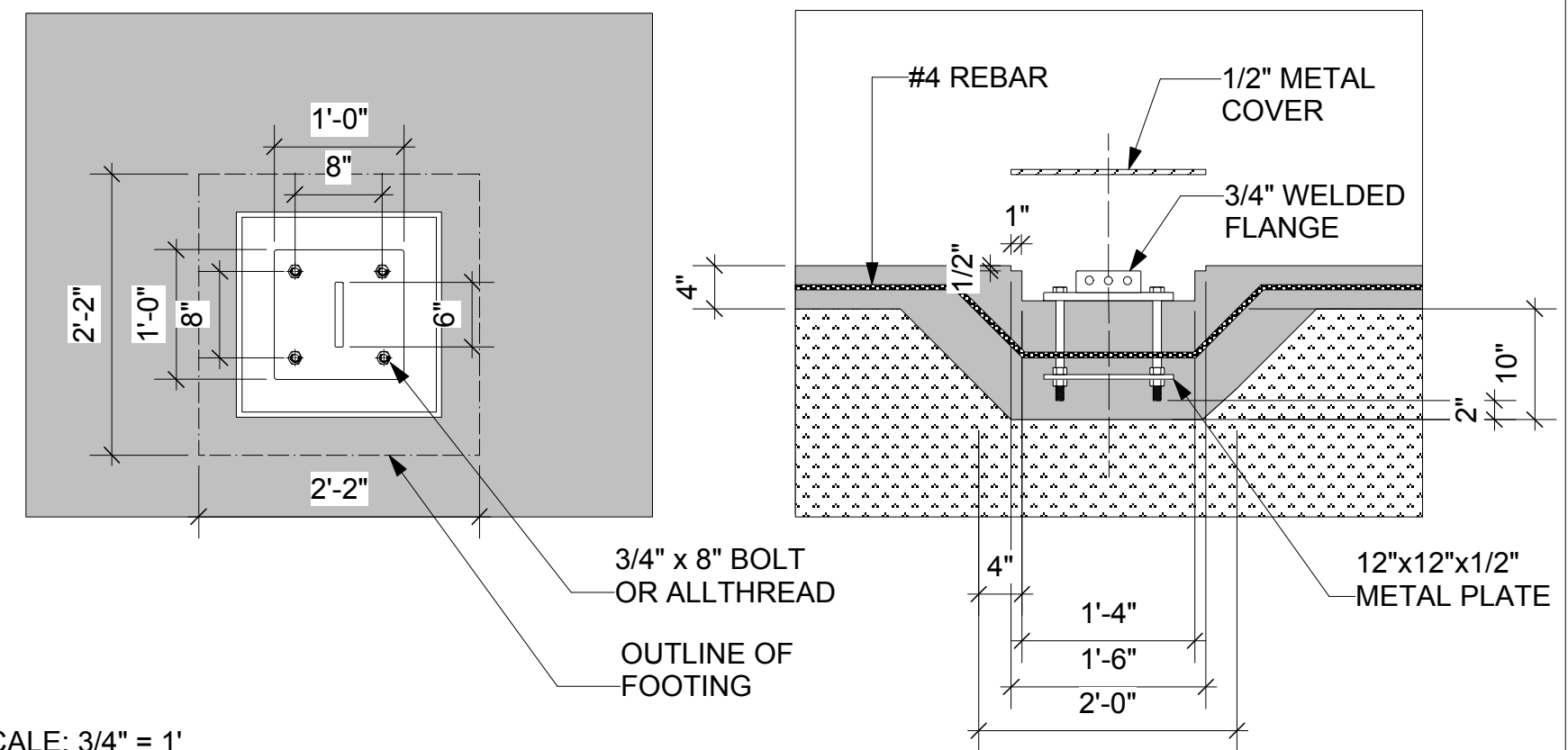
9/16/14

GROUND POINT #1



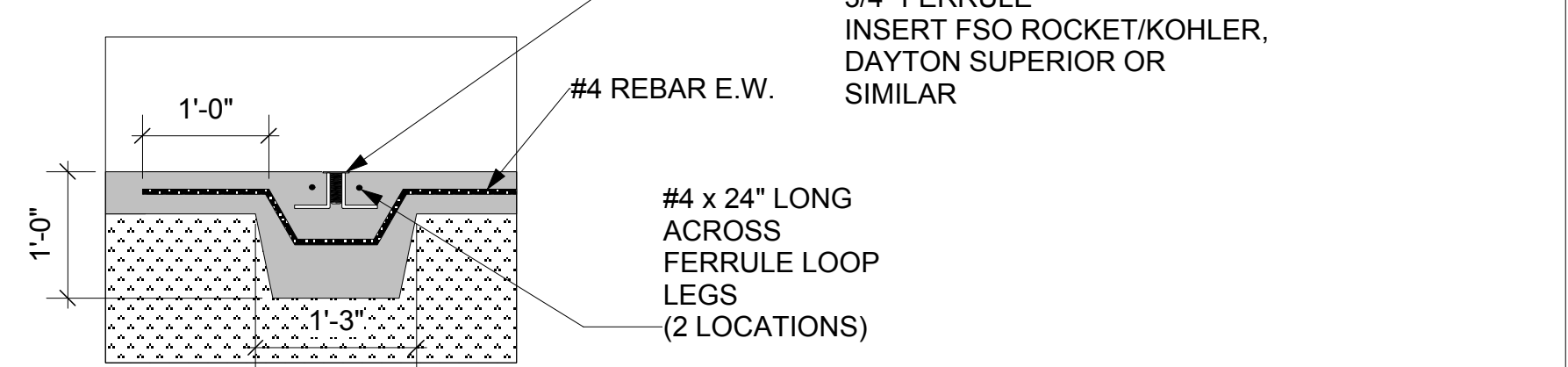
SCALE: 3/4" = 1'

GROUND POINT #2



SCALE: 3/4" = 1'

GROUND POINT #3



SCALE: 3/4" = 1'

EOR: Aaron Jones, PE

DESIGNER: Josh Oliver
ENGINEER: Matt Legere
DATE: September 9, 2014
PAGE: 2/2