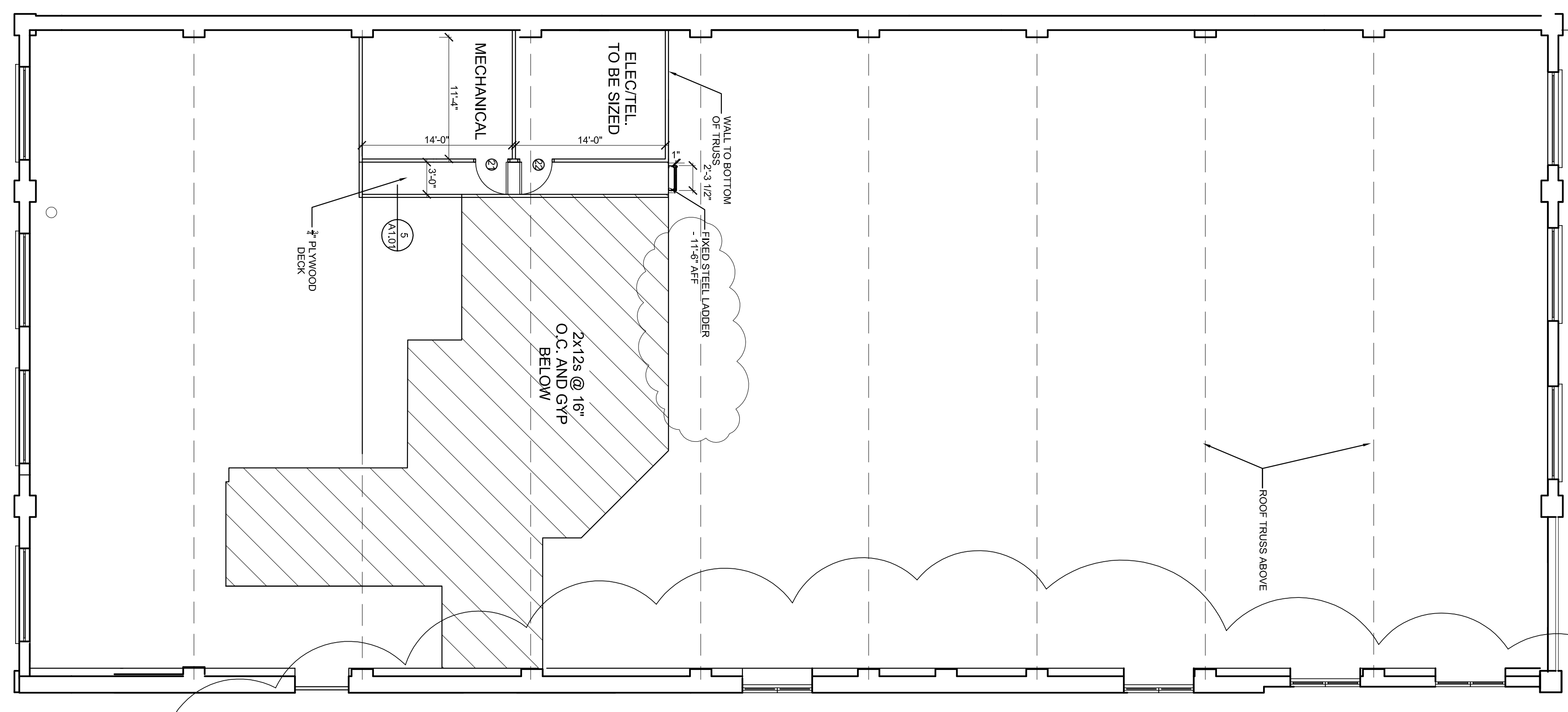
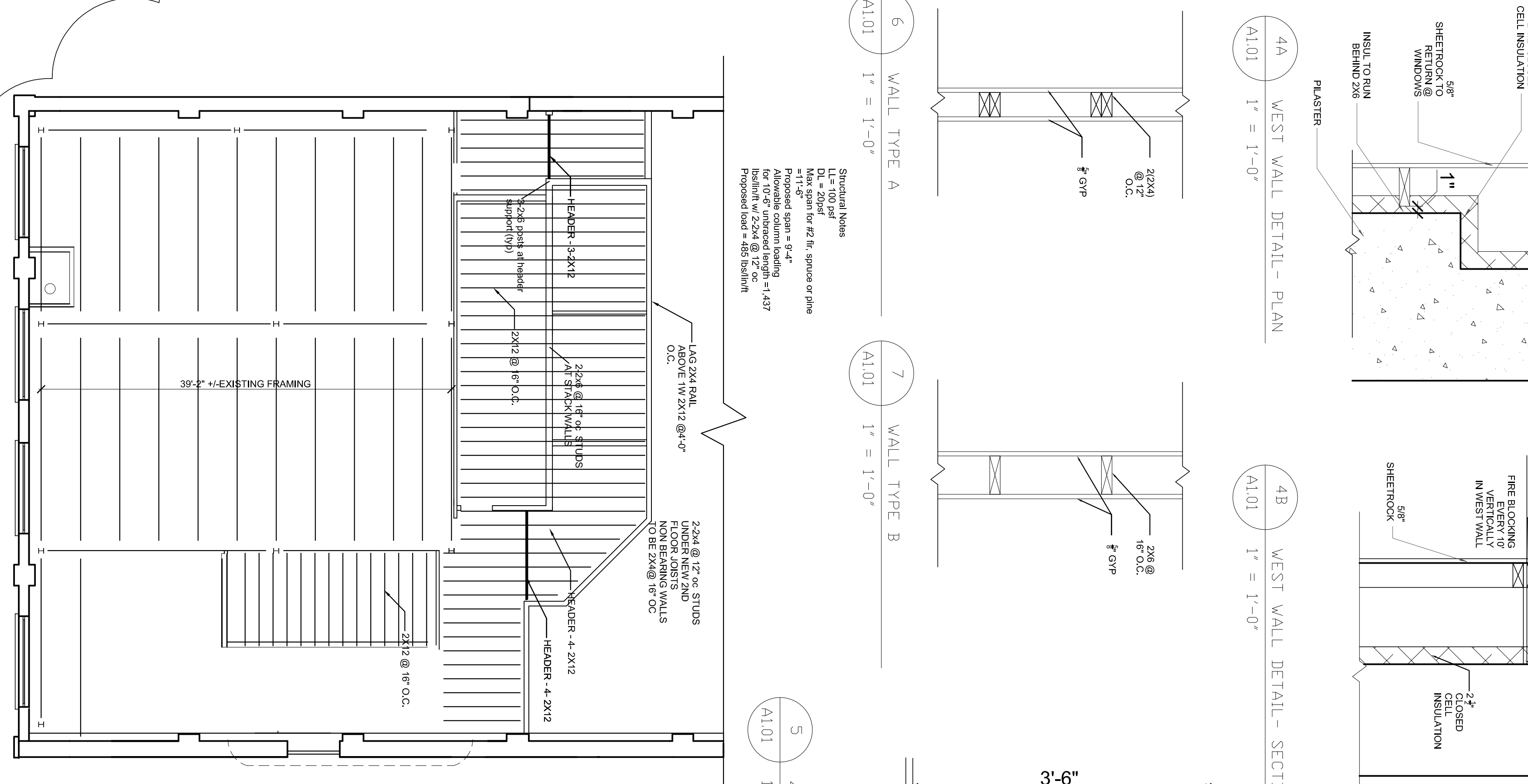


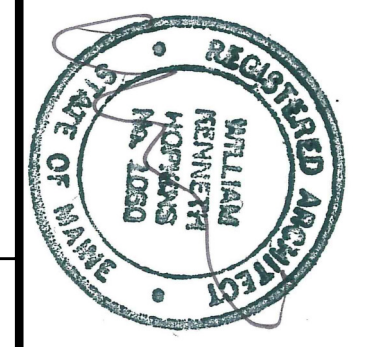
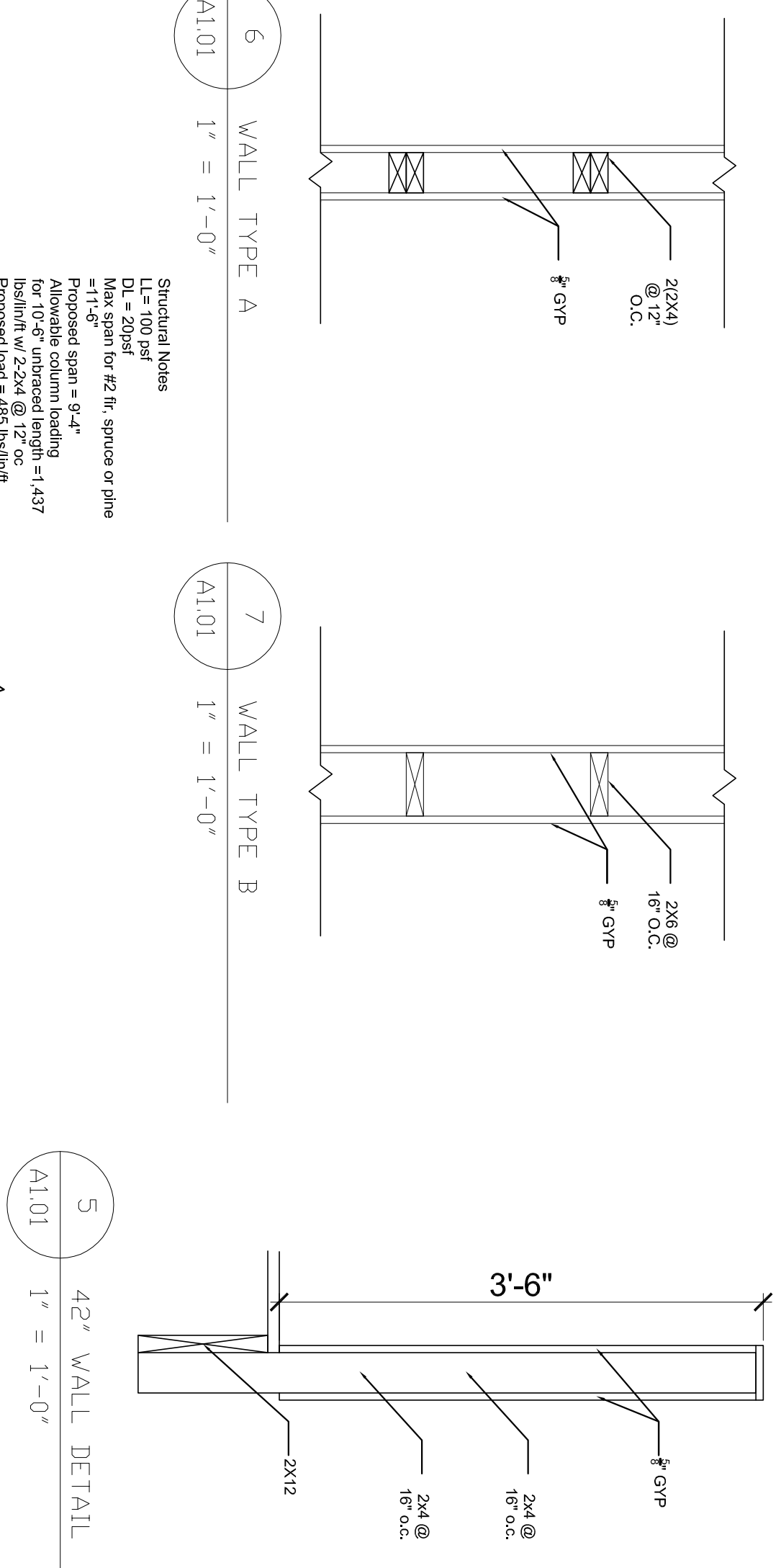
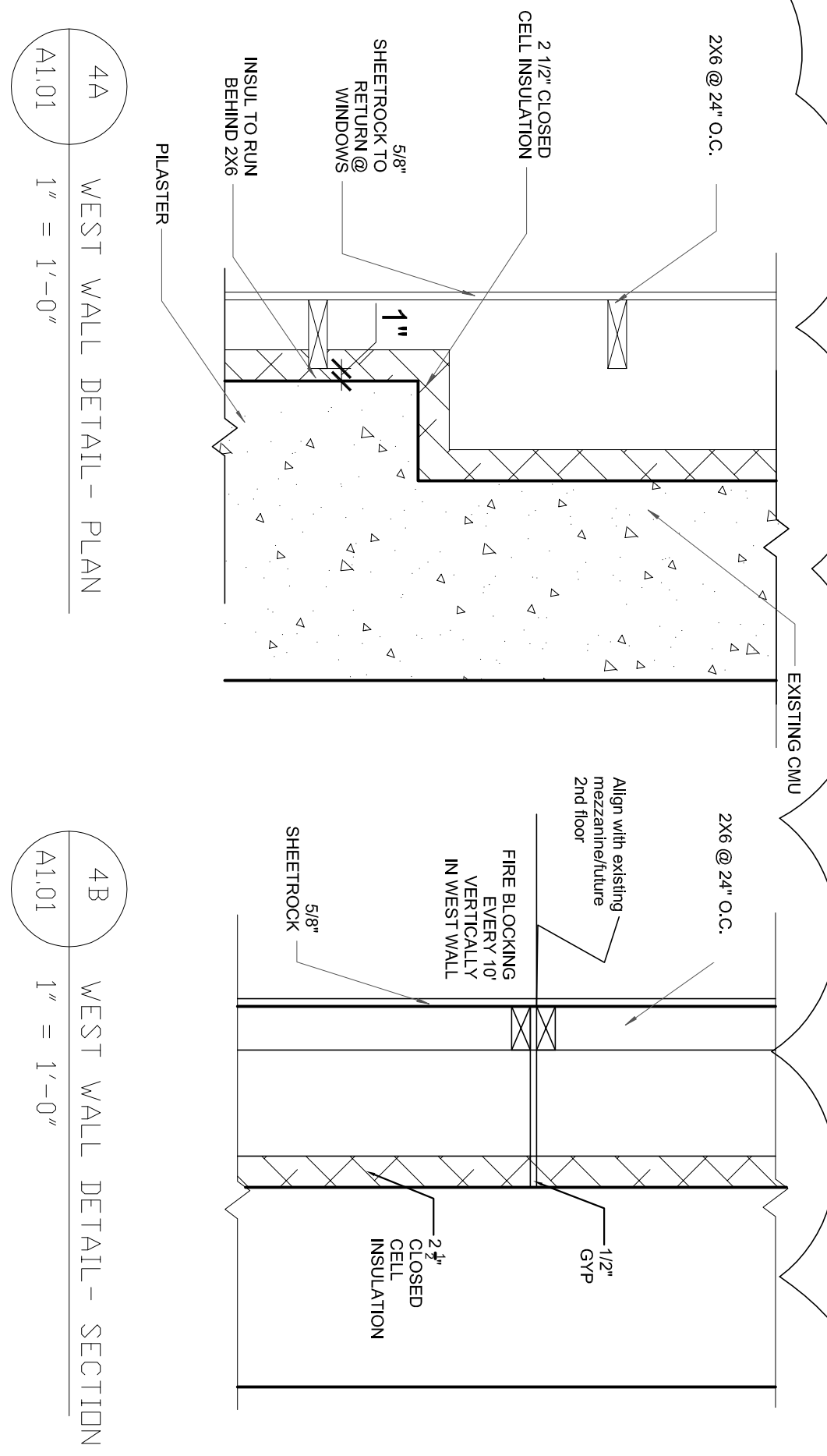
1 FIRST FLOOR PLAN
A1.01 1/8" = 1'-0"



2 SECOND FLOOR PLAN
A1.01 1/8" = 1'-0"



3 SECOND FLOOR FRAMING PLAN
A1.01 1/8" = 1'-0"



A1.01	Date: 9-2-2014	Scale: 1/8" = 1'-0"	Revisions: 9-24-2014	Project: BRICK NORTH WEST WING PHASE I	Architect: ARCHETYPE	Consultant:	Prepared For:
	FLOOR & FRAMING PLAN & DETAILS			THOMPSON'S POINT, PORTLAND ME	48 Union Wharf Portland, Maine 04101 (207) 772-6022 Fax (207) 772-4056		