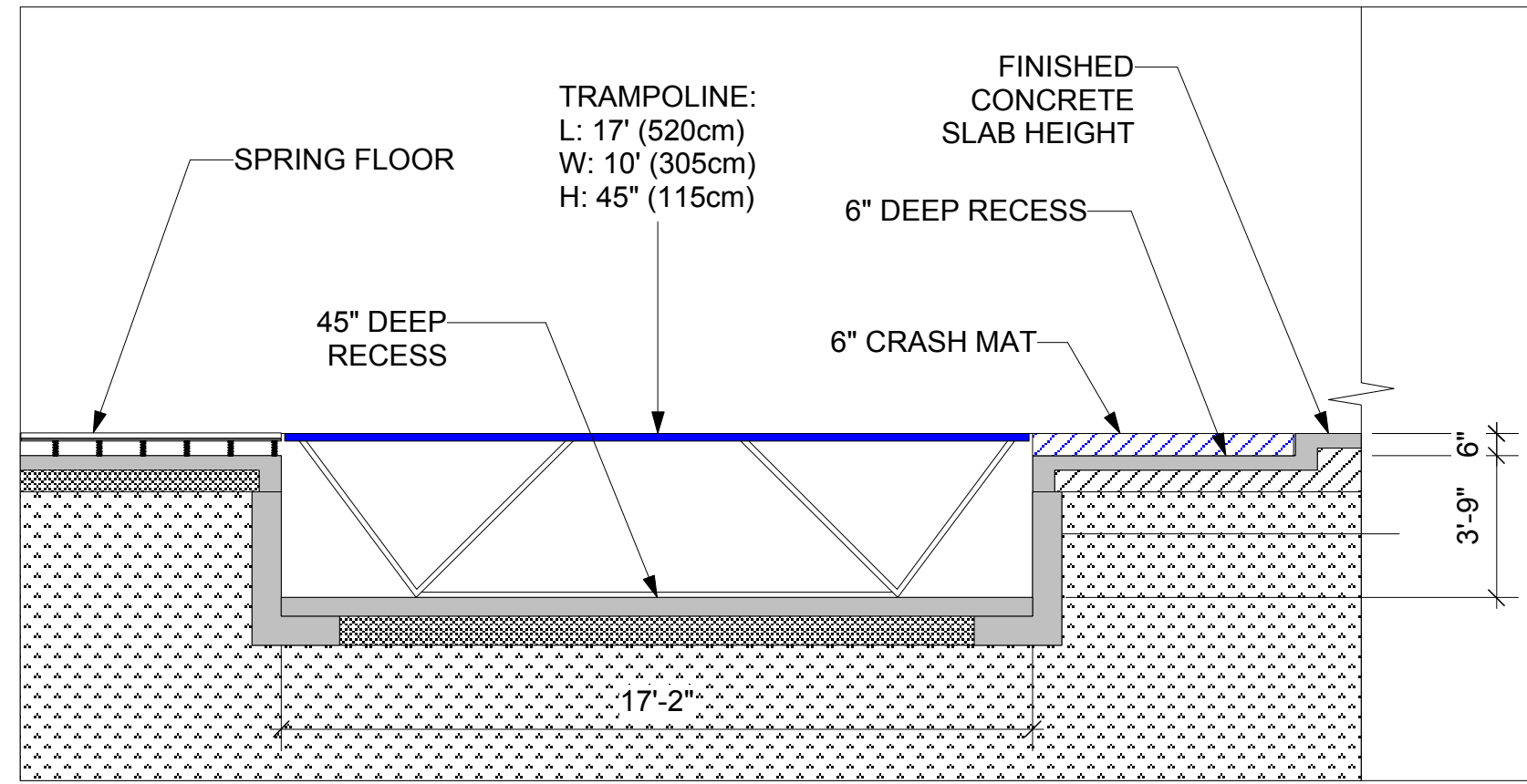
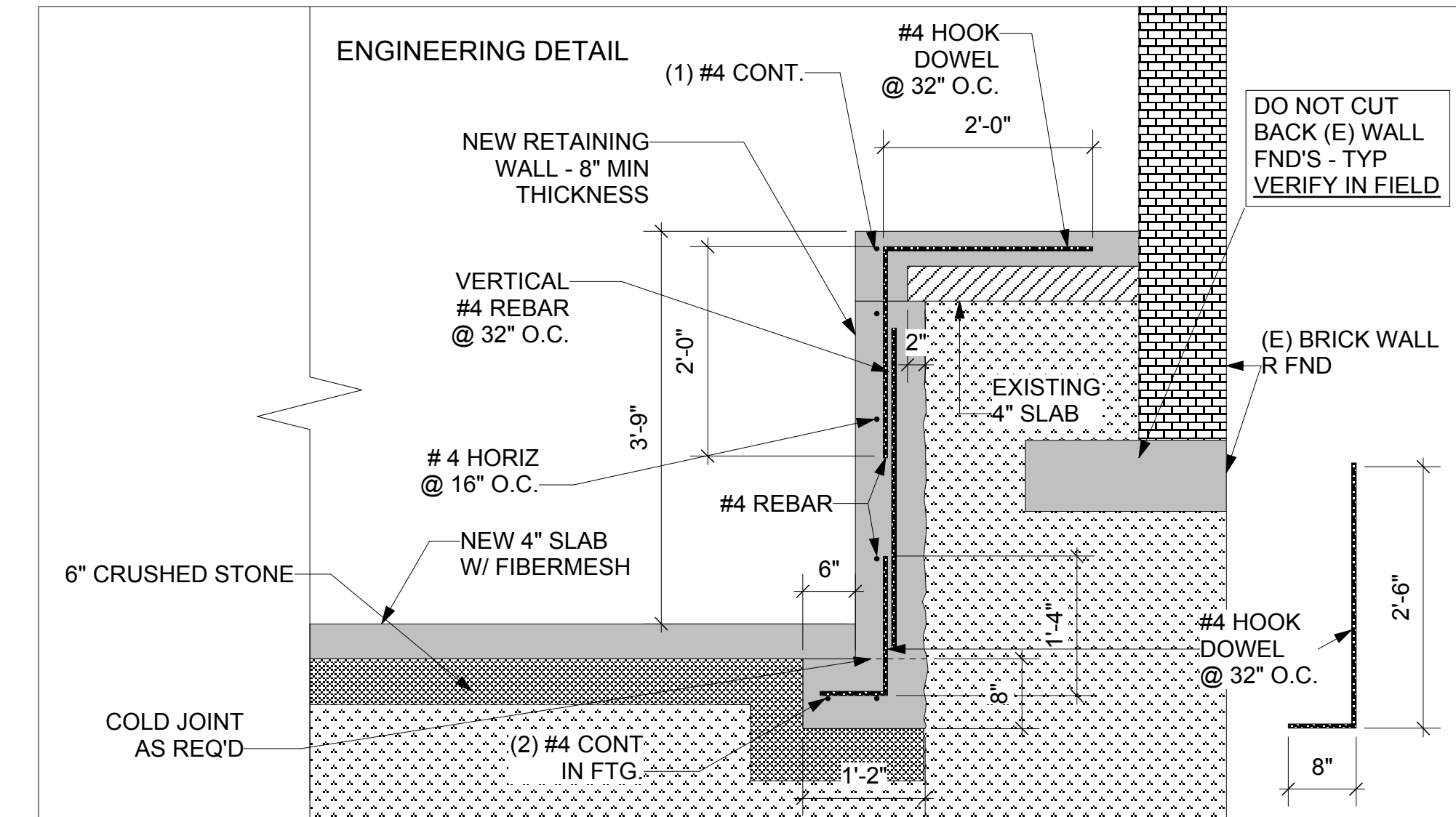


SHEET A1 - CIRCUS EQUIPMENT DETAILS

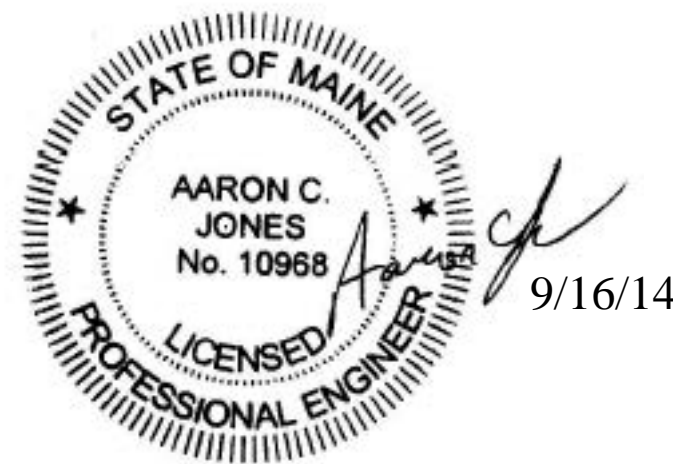
DRAWING 1: TRAMPOLINE AND SPRING FLOOR



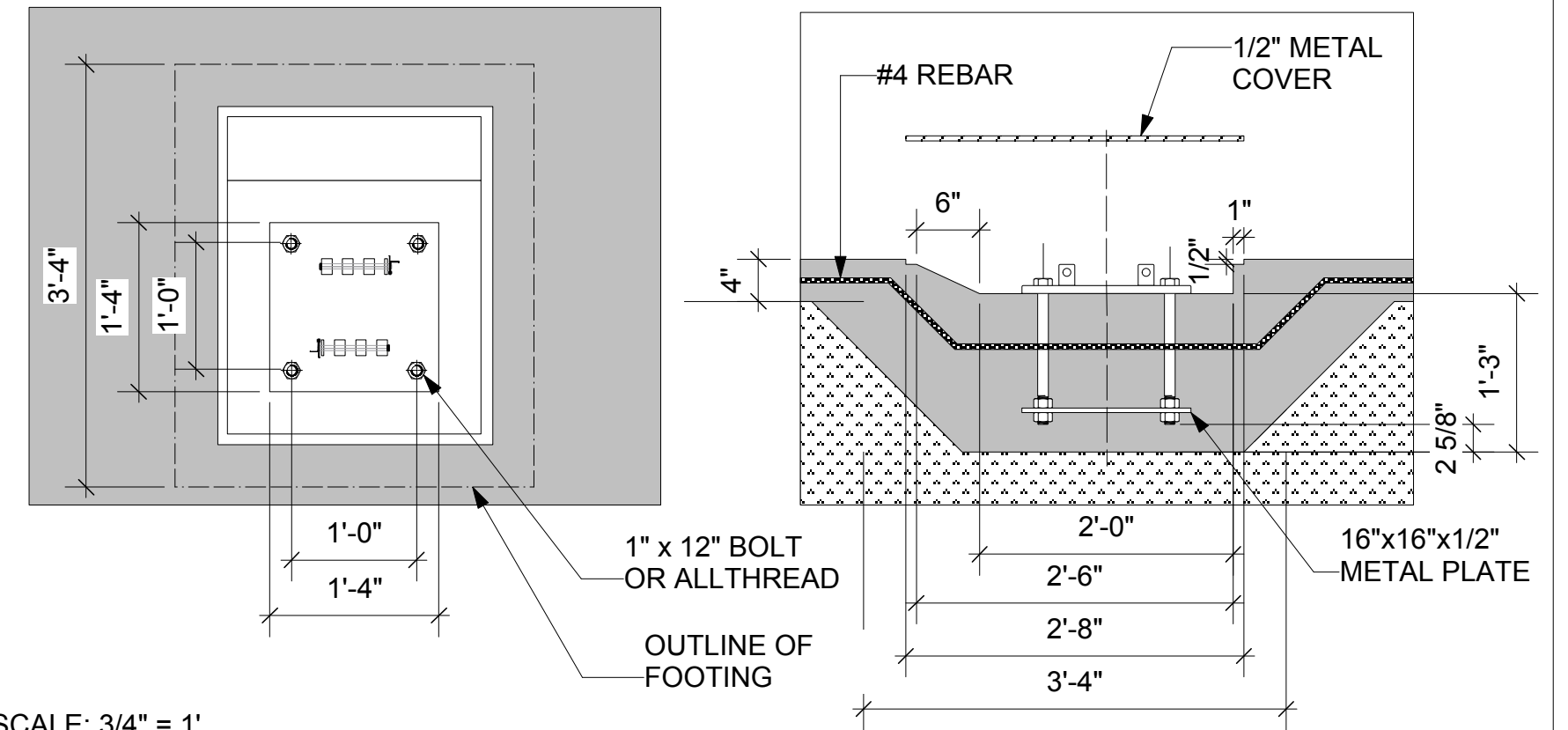
SCALE: 1/4" = 1'



SCALE: 3/4" = 1'

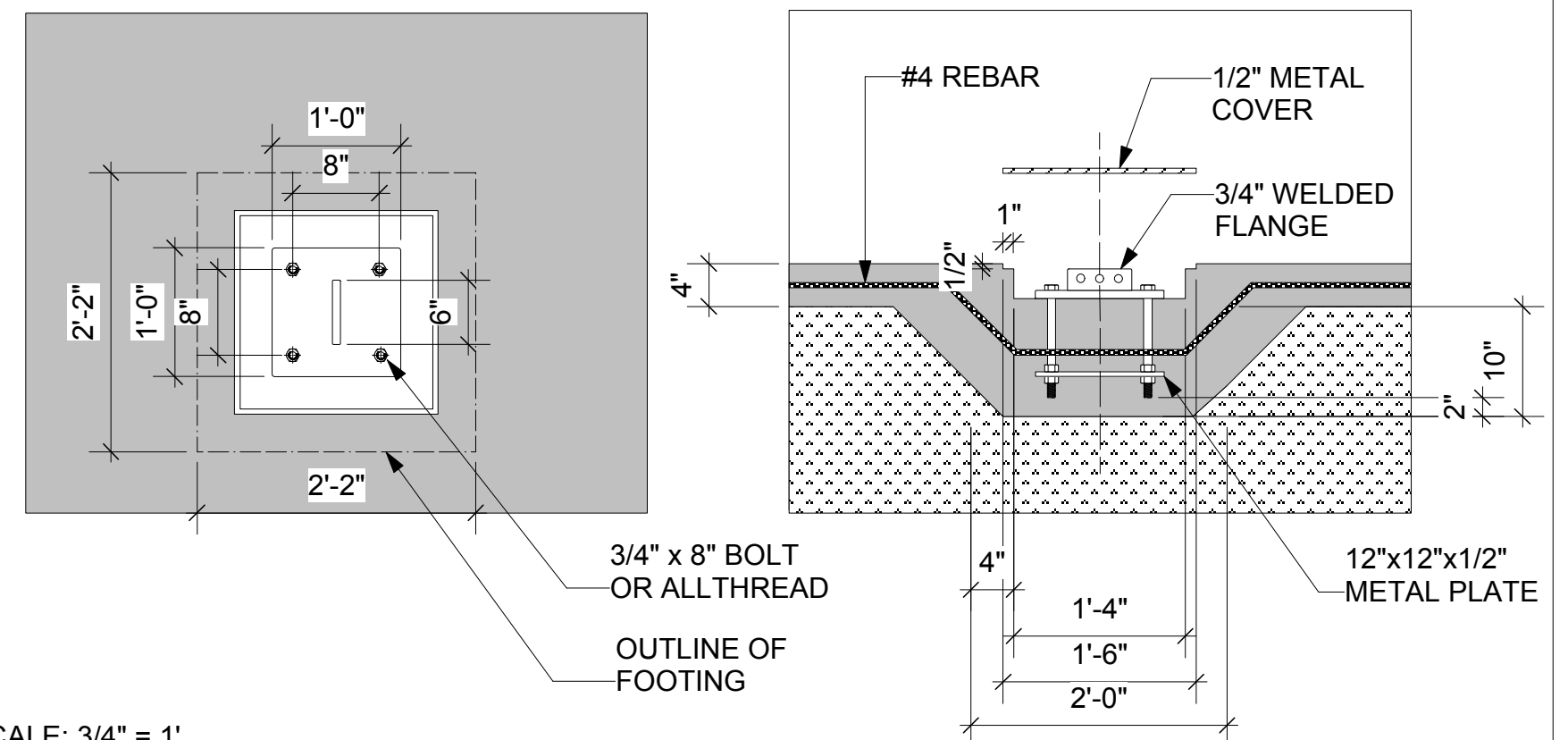


GROUND POINT #1



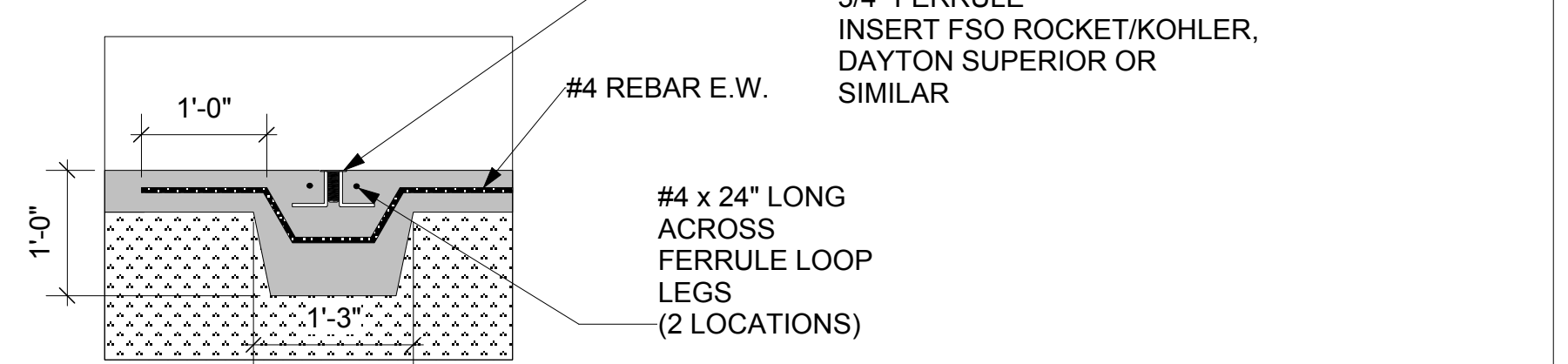
SCALE: 3/4" = 1'

GROUND POINT #2



SCALE: 3/4" = 1'

GROUND POINT #3



SCALE: 3/4" = 1'

EOR: Aaron Jones, PE

DESIGNER: Josh Oliver
ENGINEER: Matt Legere
DATE: September 9, 2014
PAGE: 2/2