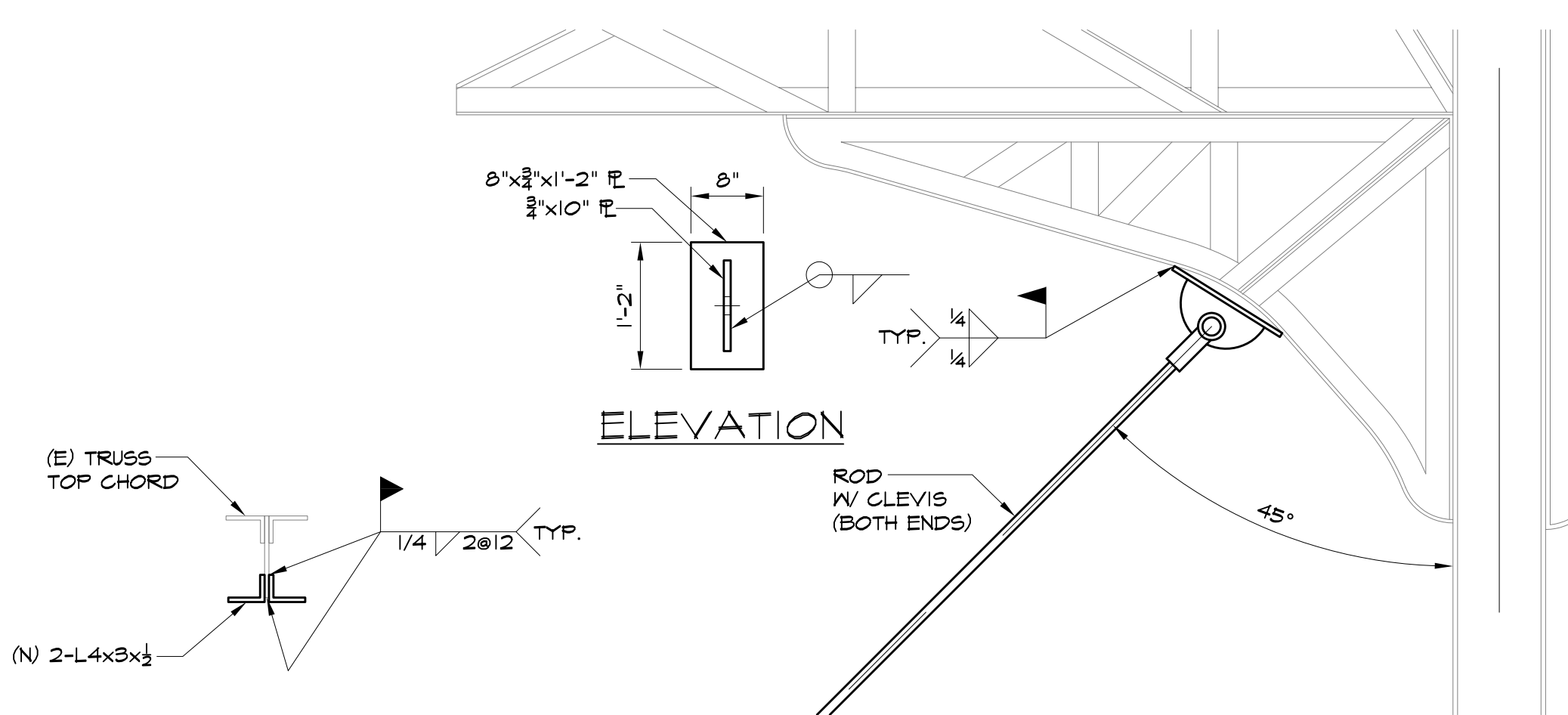
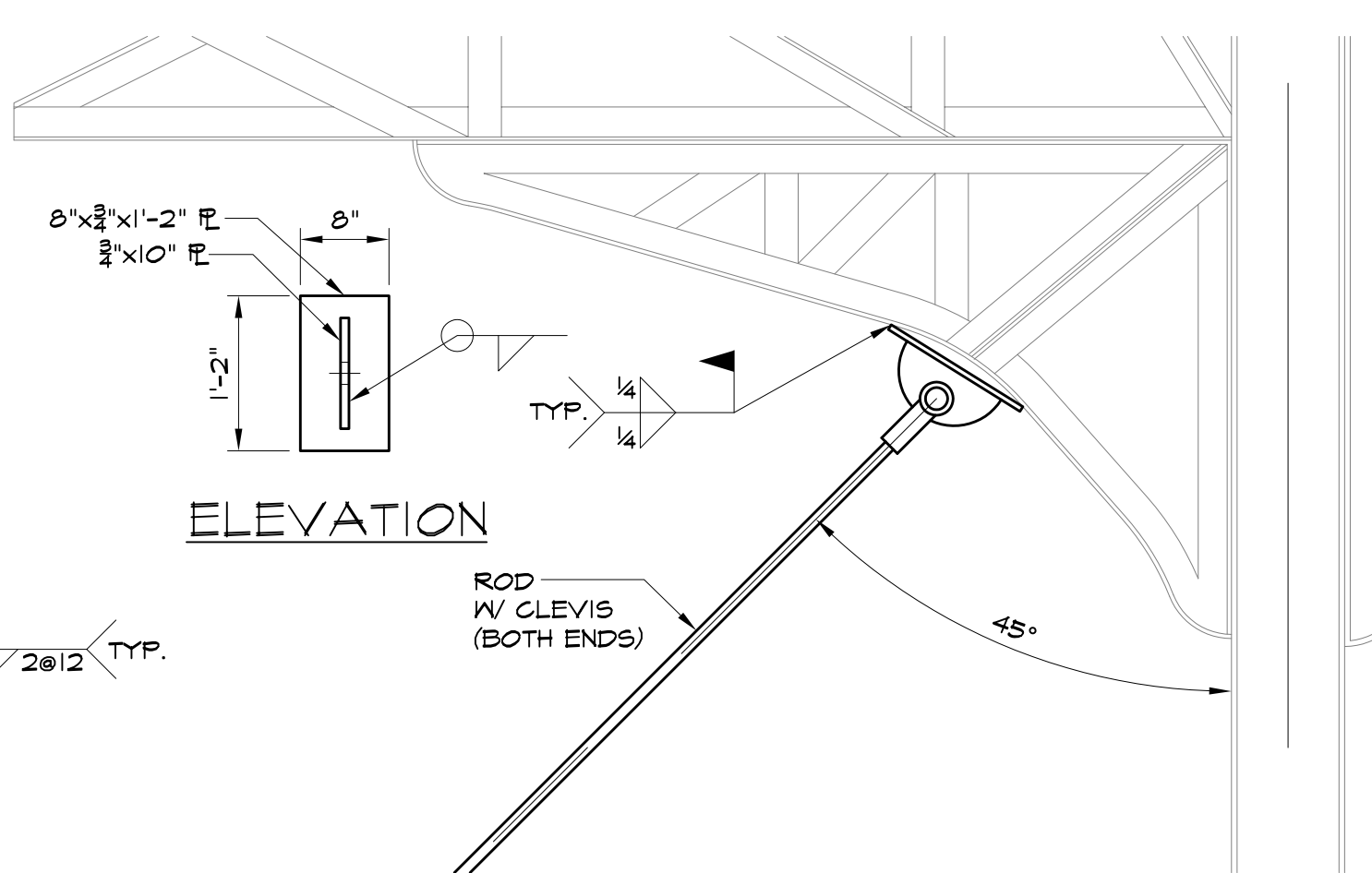


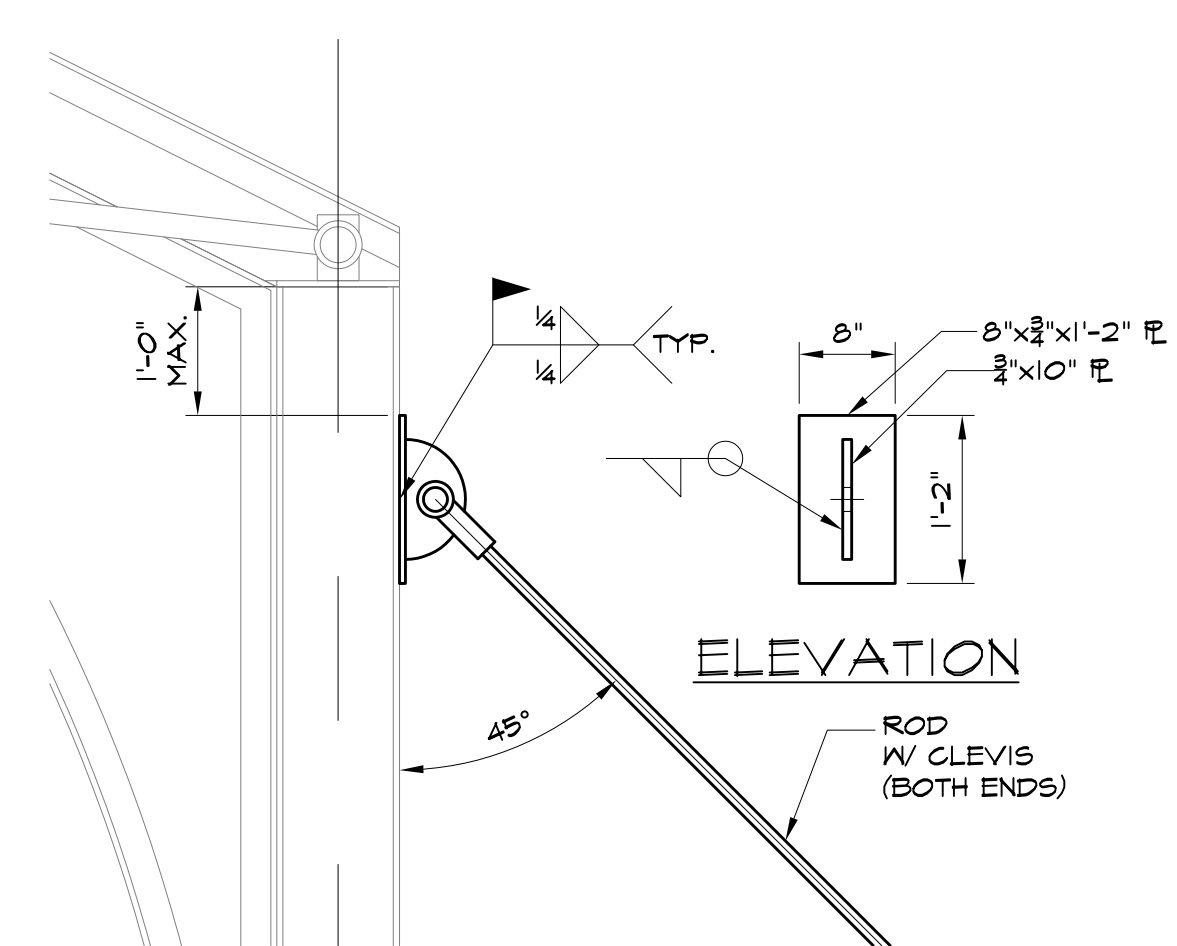
SECTION 1
1/4" = 1'-0" S102



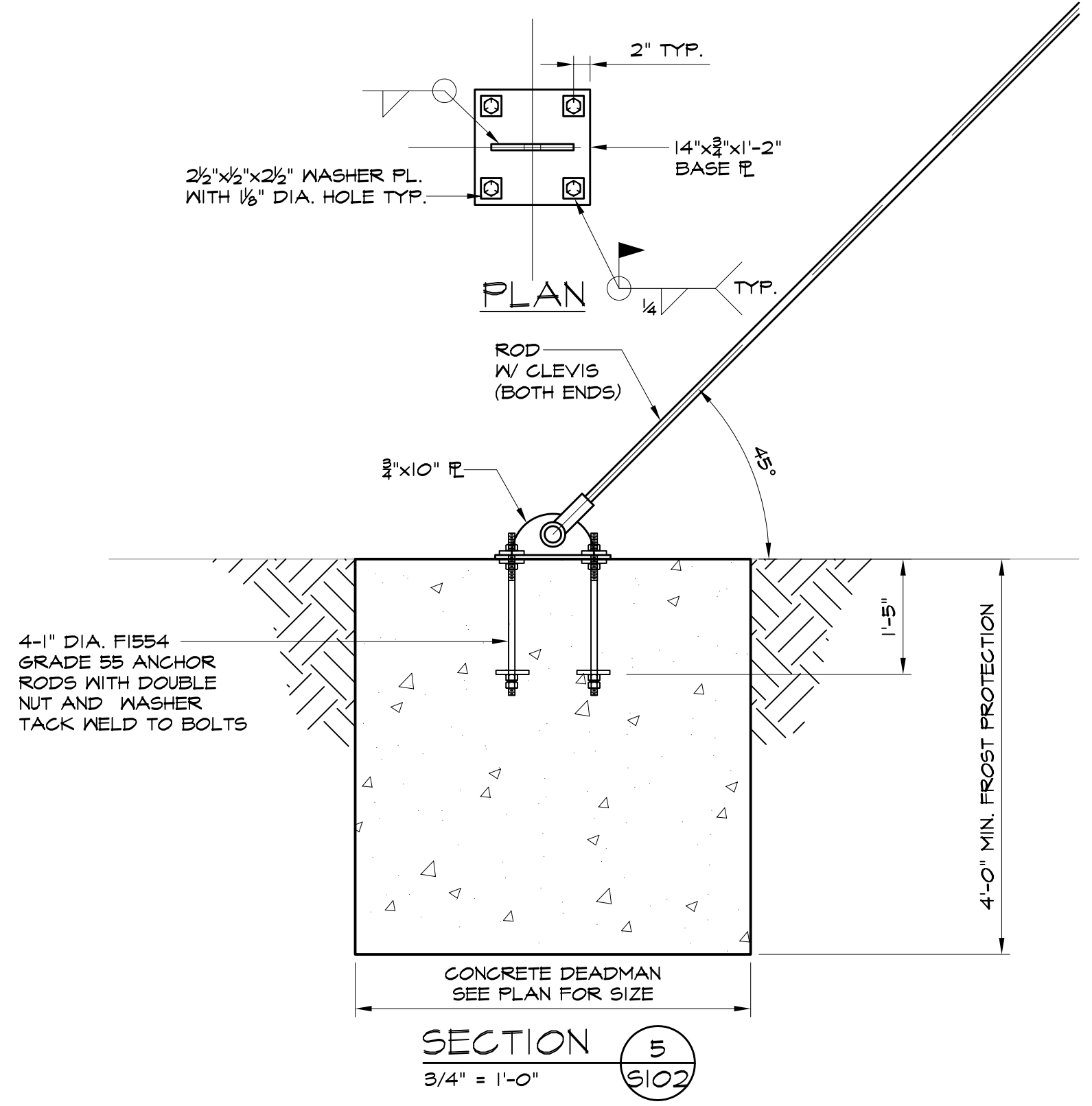
SECTION 2
3/4" = 1'-0" S102



SECTION 3
3/4" = 1'-0" S102

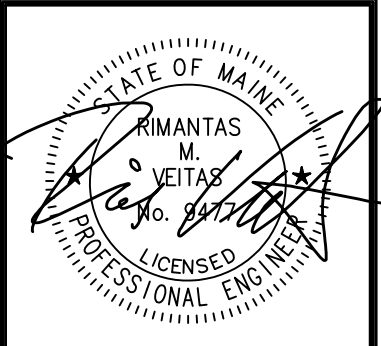


SECTION 4
3/4" = 1'-0" S102



SECTION 5
3/4" = 1'-0" S102

- NOTES:
1. $F_y = 50\text{ksi}$ FOR ALL RODS.
 2. ALL CLEVISES ARE #4 W/ SAFE WORKING LOAD = 21k.



Prepared For:
**Thompson's Point
Development
Company Inc.**

Consultant:
**VEITAS VEITAS
engineers**
680 Granite Street, Suite 101
Portland, ME 04101
TEL: (207) 772-6022 FAX: (207) 772-4056

Architect:
**ARCHETYPE
architects**
48 Union Wharf Portland, Maine 04101
(207) 772-6022 Fax (207) 772-4056

Project:
Depot
Thompson's Point Portland, ME

Revisions:

Scale: 1/8" = 1'-0"

Date: 02/11/14

**BUILDING
SECTIONS**

S102