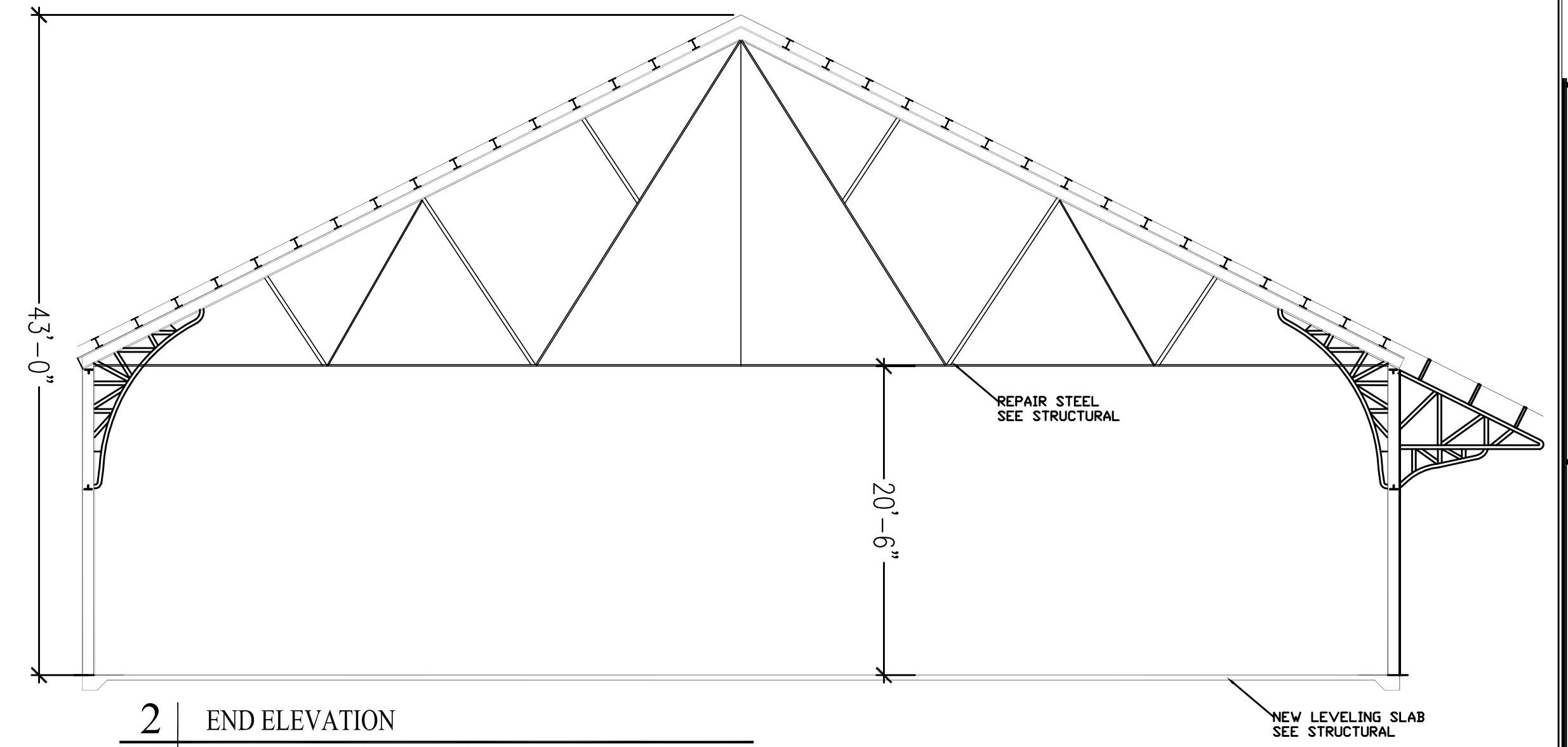
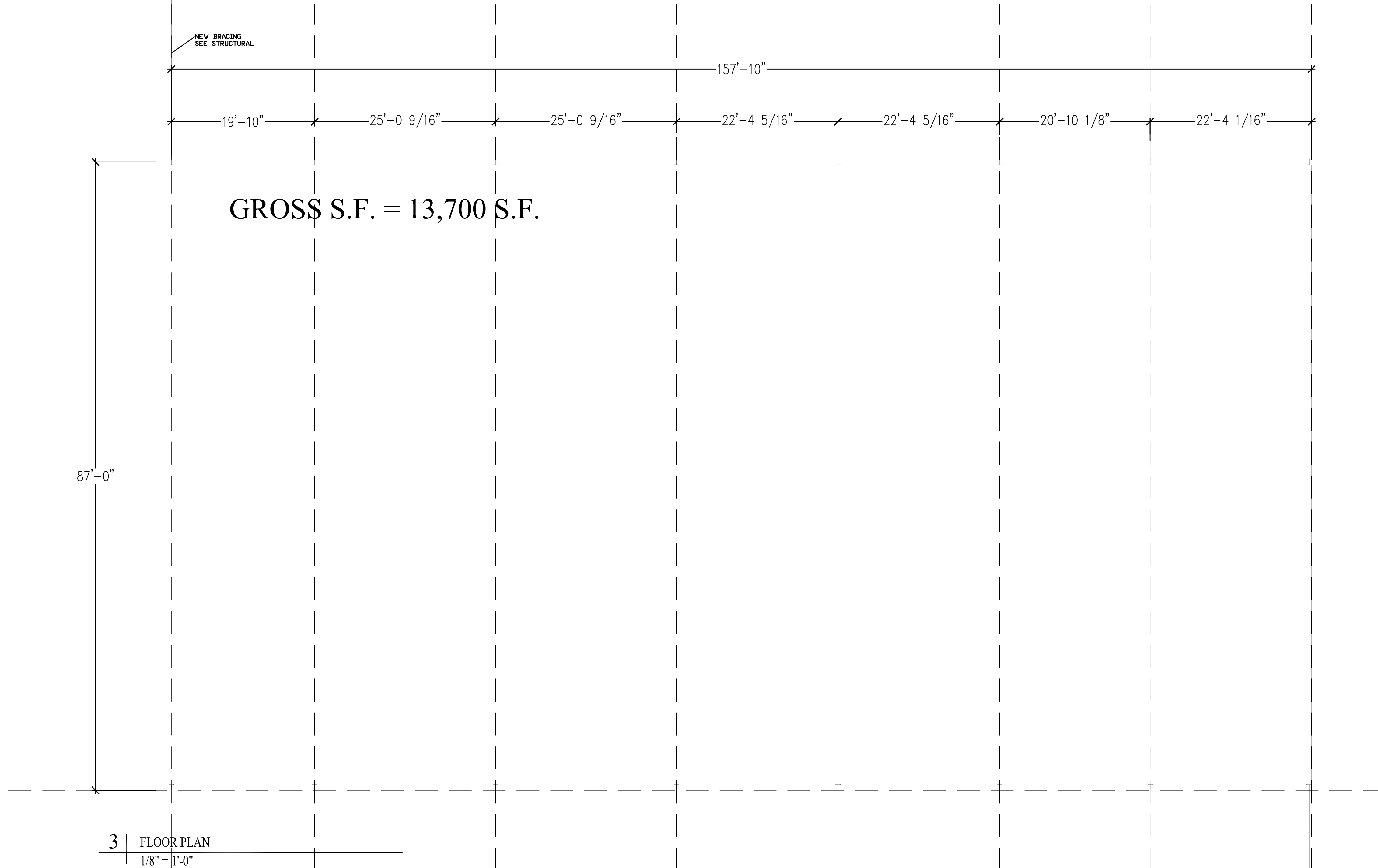


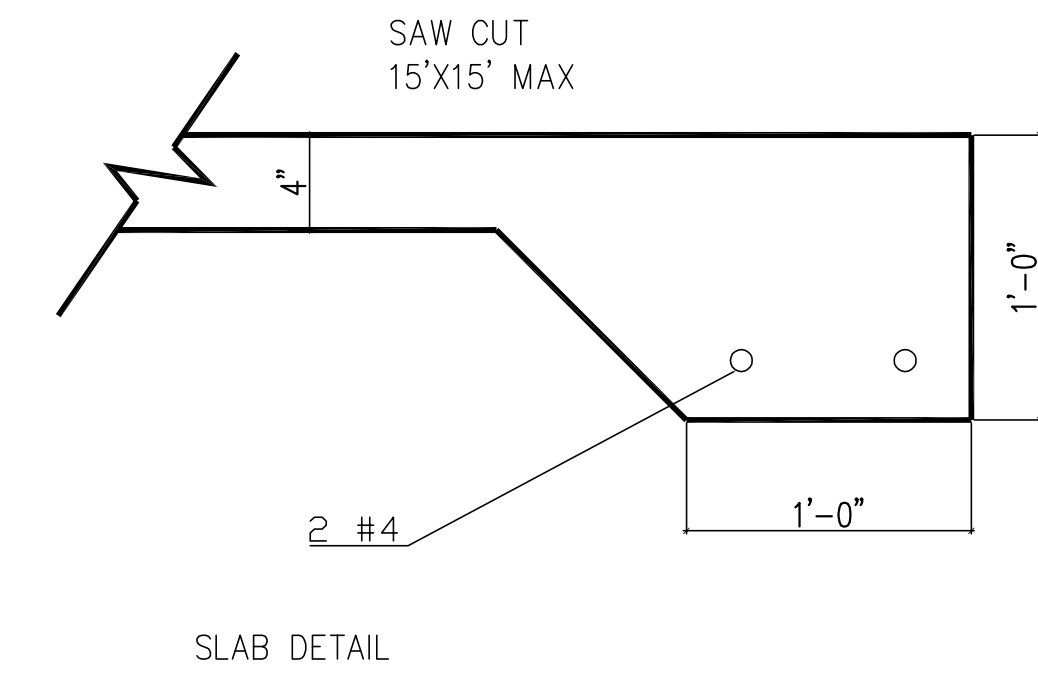
1 | SIDE ELEVATION
1/8" = 1'-0"



2 | END ELEVATION
1/8" = 1'-0"



3 | FLOOR PLAN
1/8" = 1'-0"



4 | SLAB DETAIL
1 1/2" = 1'-0"

Prepared For:

Consultant:

ARCHETYPE
48 Union Wharf Portland, Maine 04101
(207) 772-6022 Fax (207) 772-4056

Project: THOMPSON'S POINT-DEPOT
THOMPSON'S POINT, PORTLAND ME

Revisions:

Date: 4-10-2014
Scale: As indicated
PLAN, ELEVATIONS & DETAILS

A1.01