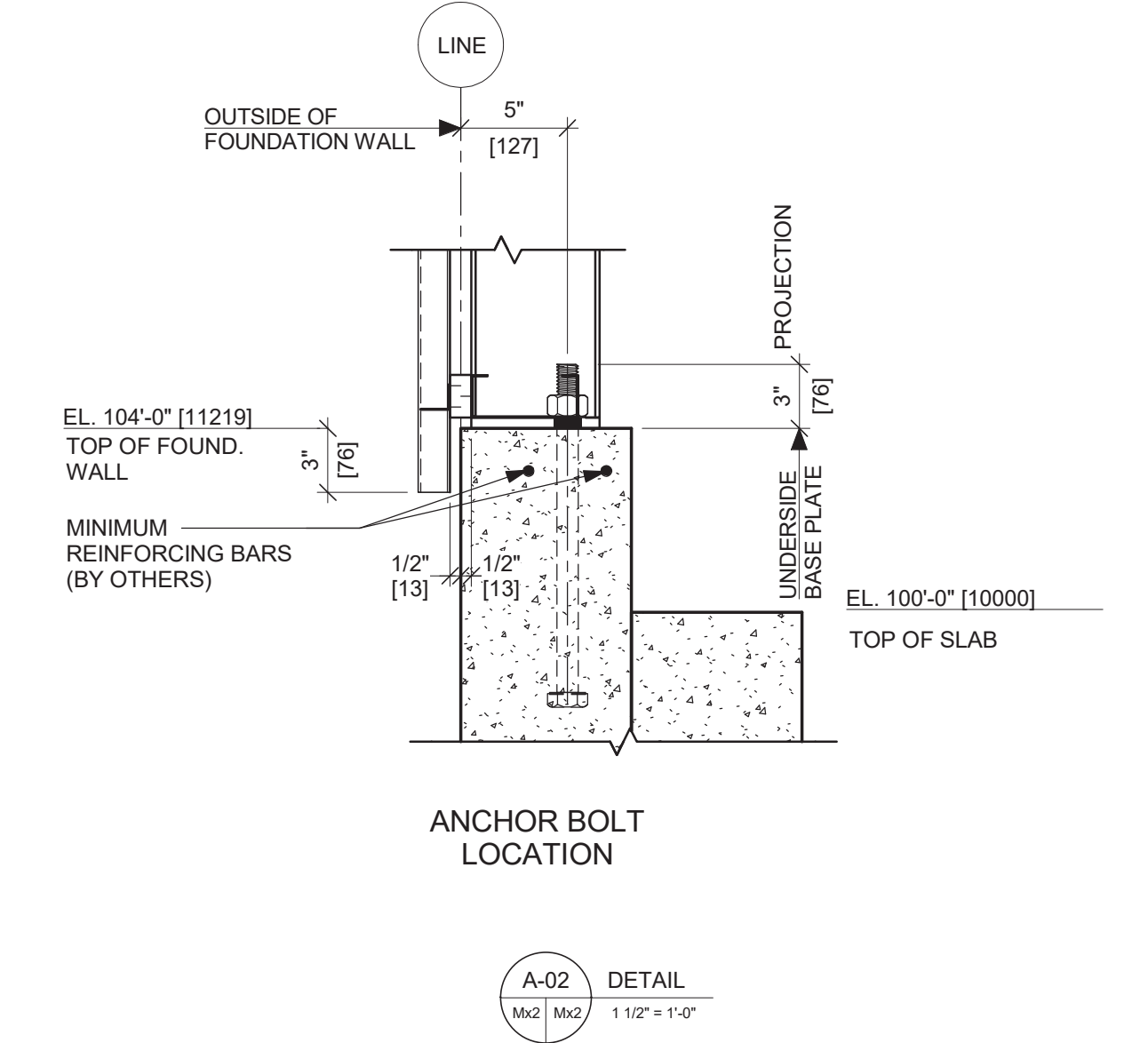
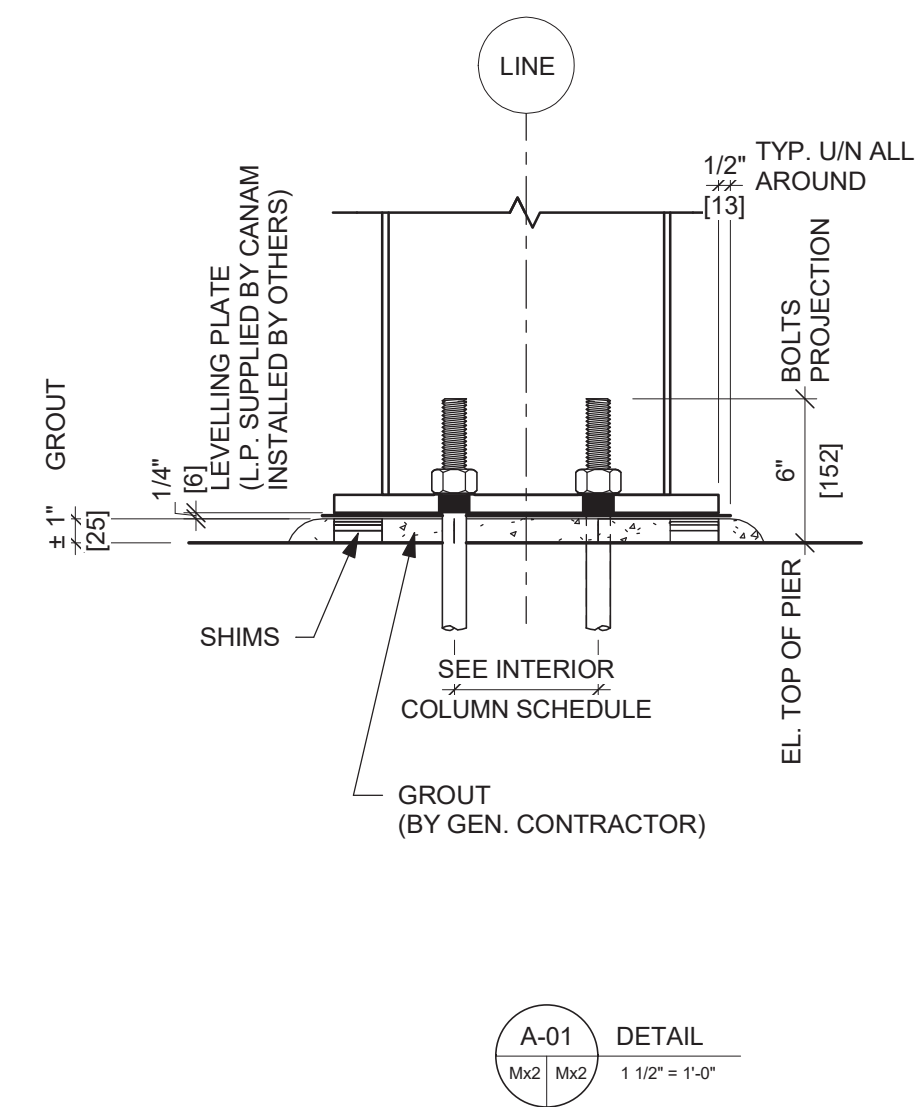
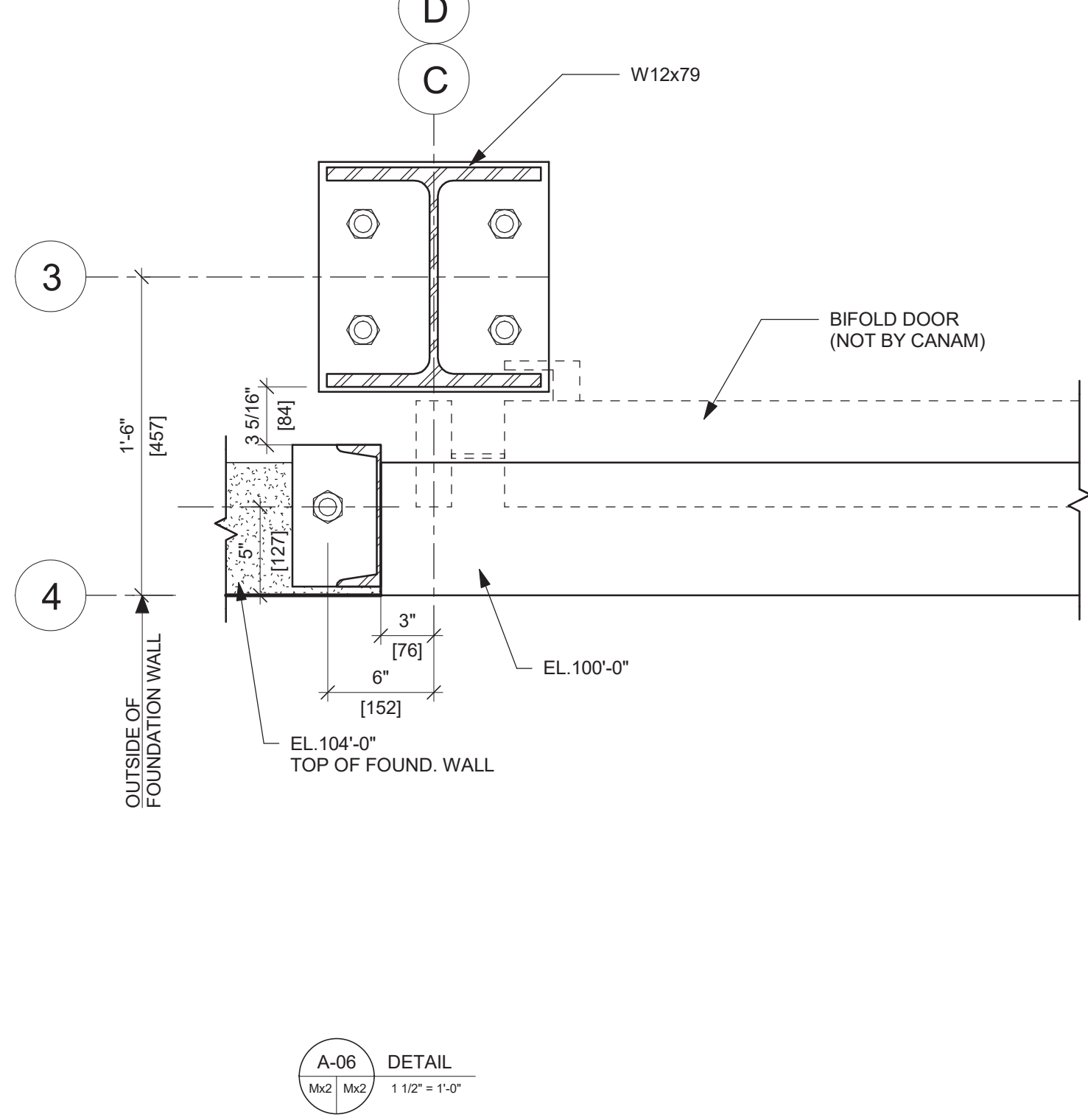
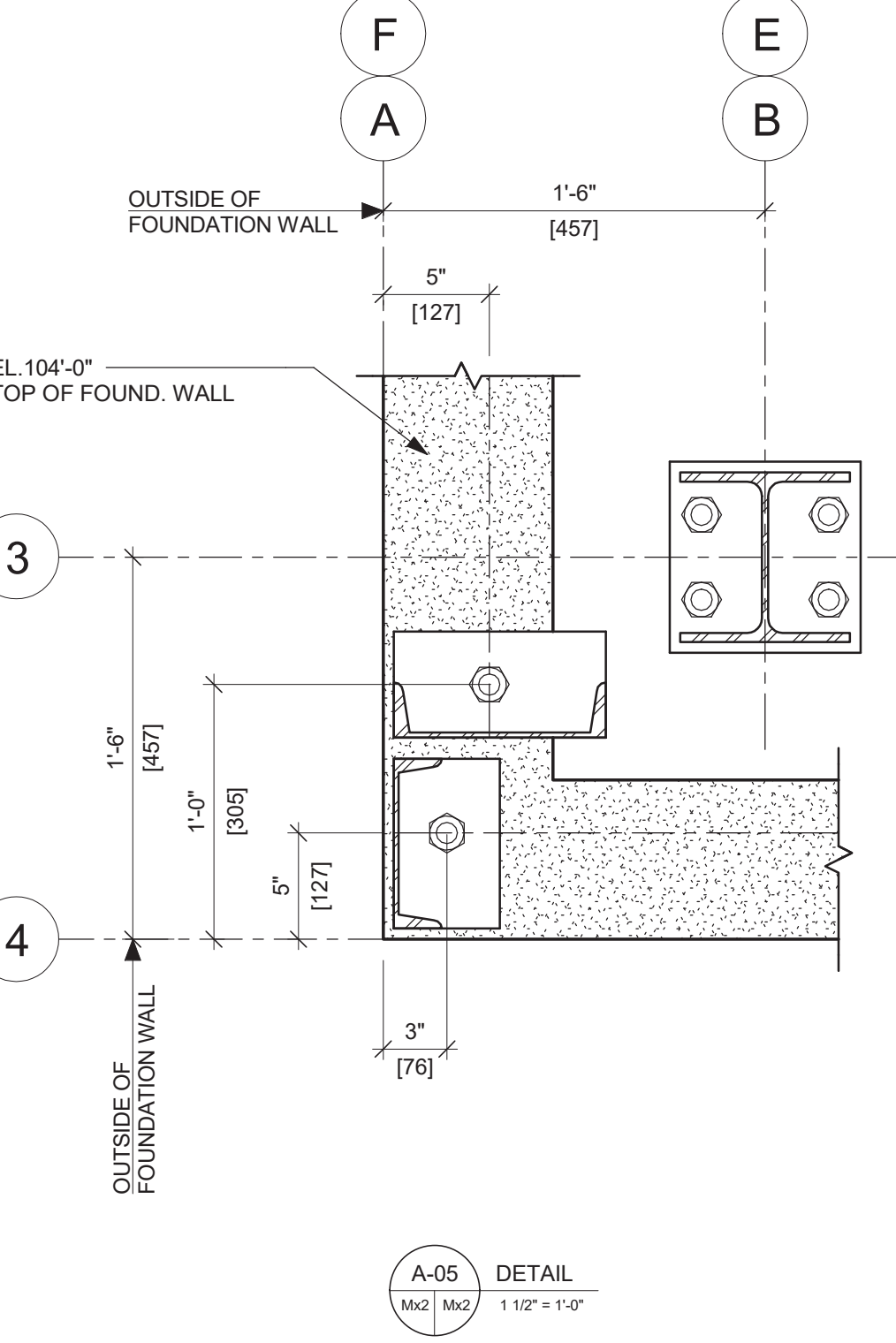
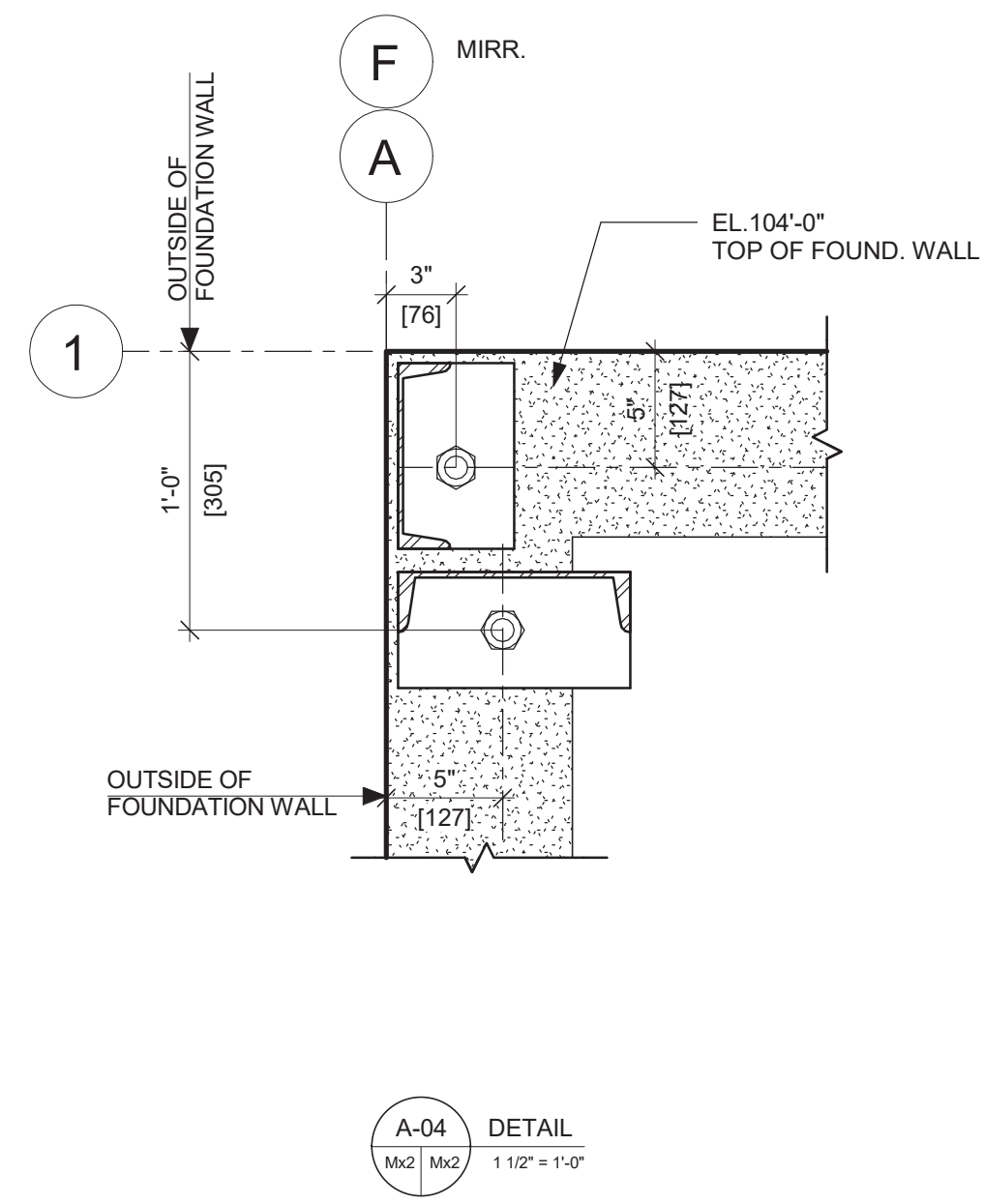
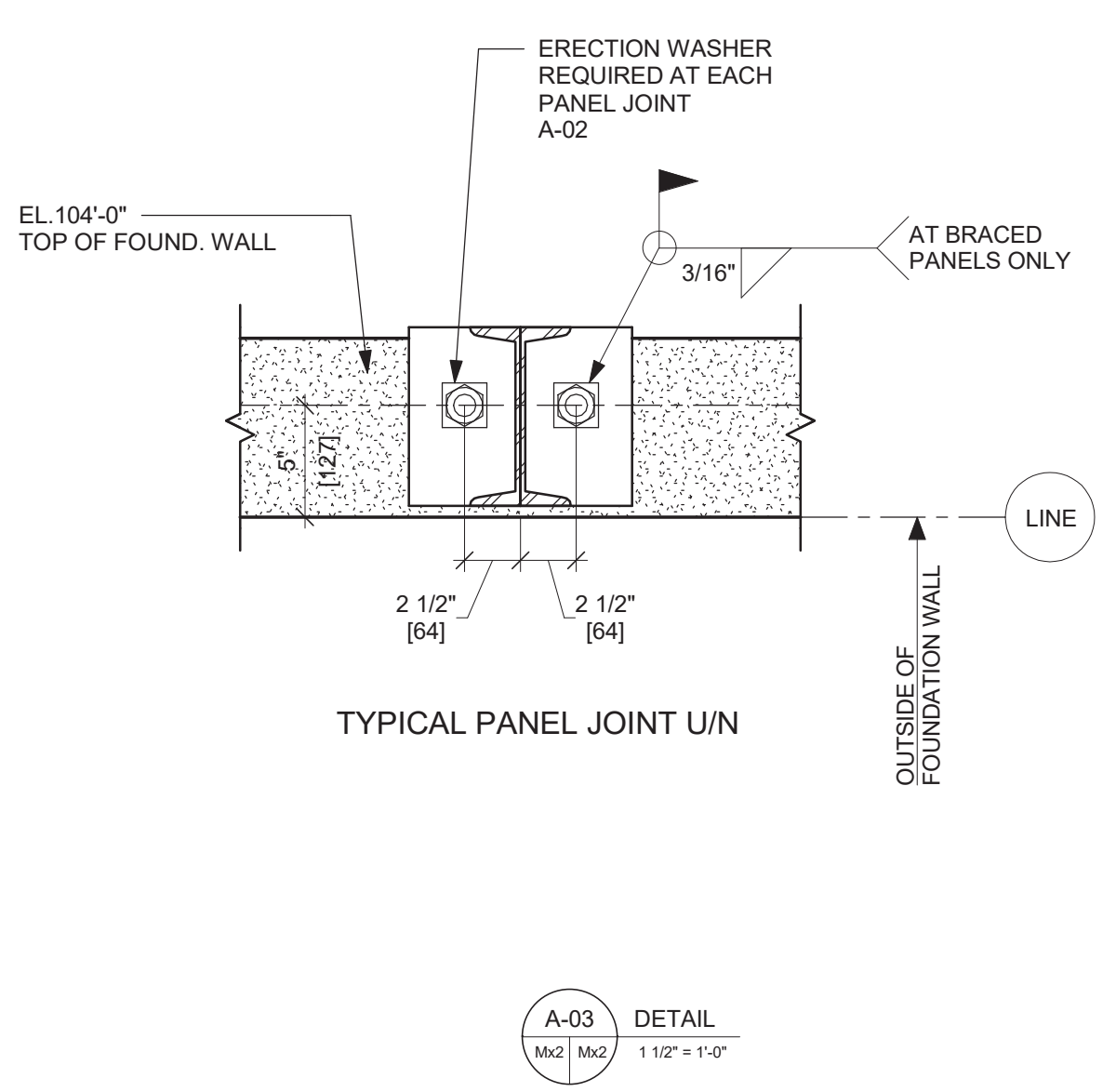


**ANCHOR PLAN**  
 1/8" = 1'-0"  
 ANCHOR BOLT 1"Ø (F-1554) TYP. S.I.C.  
 TOP OF FOUNDATION 104'-0" (11219 mm)  
 TOP OF SLAB 100'-0" (10000 mm)



FOR PERMIT



Legend anchor bolt plan

<b>A</b> DETAIL	A = Detail no.	TYP. = Typical	C/C = Center to center
<b>B</b> 0'-0" = 0'-0"	B = Sheet no. where detail is called for	LIN = Unless noted	⊕ = Center liner
<b>C</b> X	C = Sheet no. where detail is shown	N.T.S. = Not to scale	● = Anchor bolt
<b>D</b> X	D = Scale	Ø = Diameter	— = Vertical bracing
<b>X</b>	Reference line	H.S.S. = Hollow structural sections	OPE = Opening
<b>XX</b>	Wall Section	□ = Square	PL = Plate
	Panel number	⊥ = Perpendicular	
	Column reference no. (see interior columns schedule)		

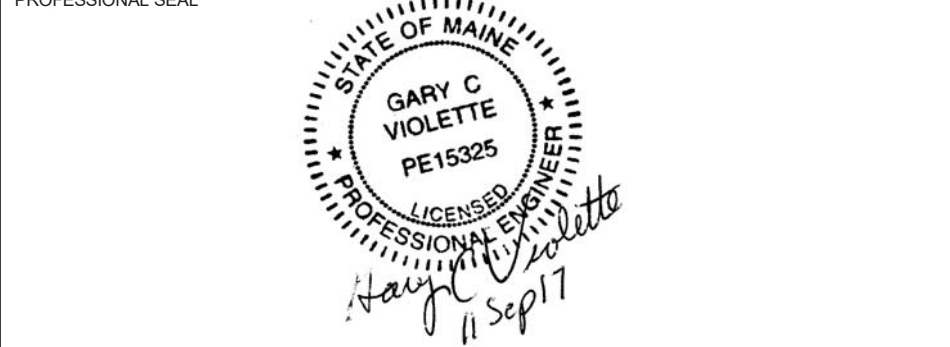
D	08/22/2017	For permit	M.V.
C	06/22/2017	For approval	S.S.
B	08/14/2017	For preliminary notices	M.V.
A	08/11/2017	For Construction	M.V.

REVISION	DATE	DESCRIPTION	DRAWN	CHECKED

DRAWING	DESIGNED	PROJECT ENGINEER	SCALE
Gabriela Sava	Claude Fortin	Claude Fortin	AS INDICATED
CHECKED	CONSULTING ENGINEERS ARCHITECTS	ENGINEER	DATE
Marco Veilleux	ARCHITECT	ARCHITECT	2017/08/08

CUSTOMER: BENCHMARK

**CANAM**  
 270, Chemin du Tremblay, Boucherville, Québec, Canada, J4B 5X9  
 Phone: (450) 641-4000  
 Toll Free: (866) 506-4000  
 Fax: (450) 641-4001



PROJECT  
**NEA HANGAR  
 PORTLAND  
 MAINE, USA**

DRAWING TITLE	CONTRACT NUMBER	DRAWING NUMBER	DIVISION	REVISION
ANCHOR PLAN & DETAILS	P2017-116R2	Mx2		D