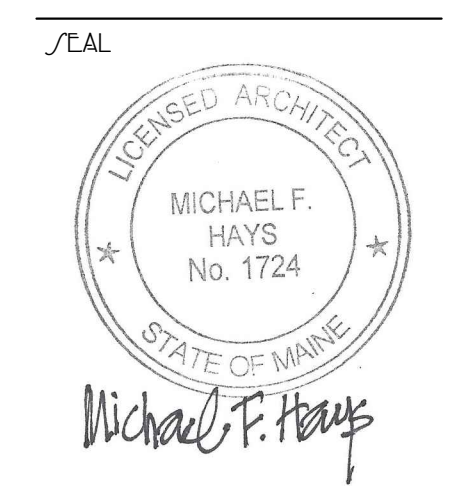


GRANT HAYS
ASSOCIATES

ARCHITECTURE & INTERIOR DESIGN
P.O. BOX 6179 FALMOUTH MAINE 04103
507.871.5900 www.granthays.com



REVISIONS

PROJECT NAME

NORTHEAST AIR
NORTH HANGAR
1071 WESTBROOK STREET - PORTLAND, MAINE 04102

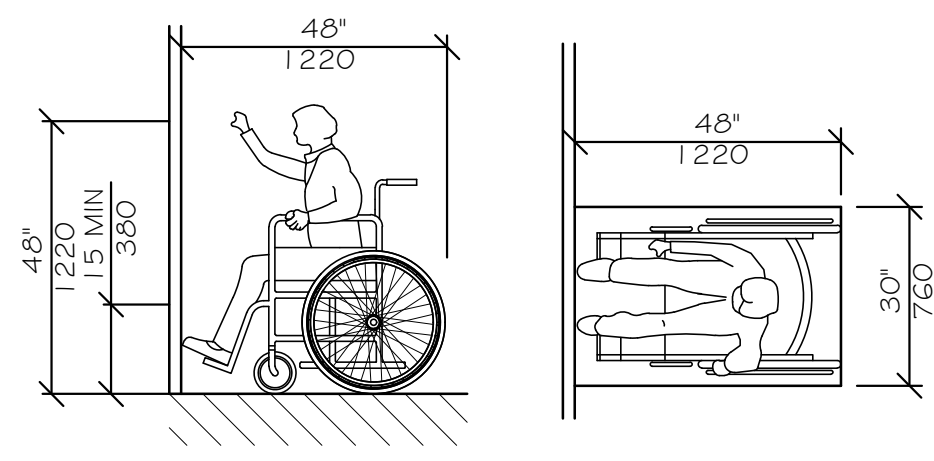
MEET

ACCESSIBILITY
DETAILS
& NOTES

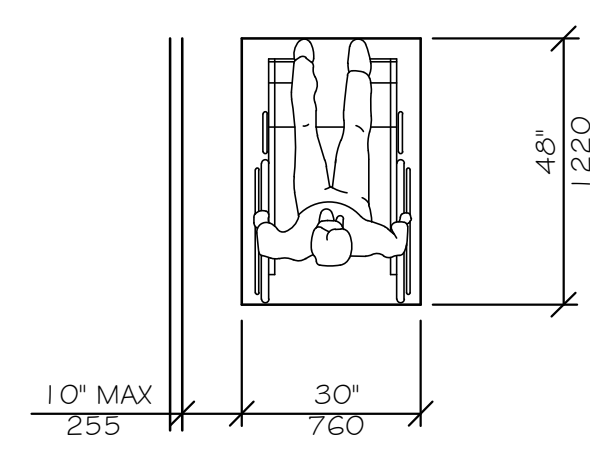
DATE: 8/EP 2017
SCALE: NO SCALE
DRAWN: MFH/mgk
JOB NO: 160350

MEET

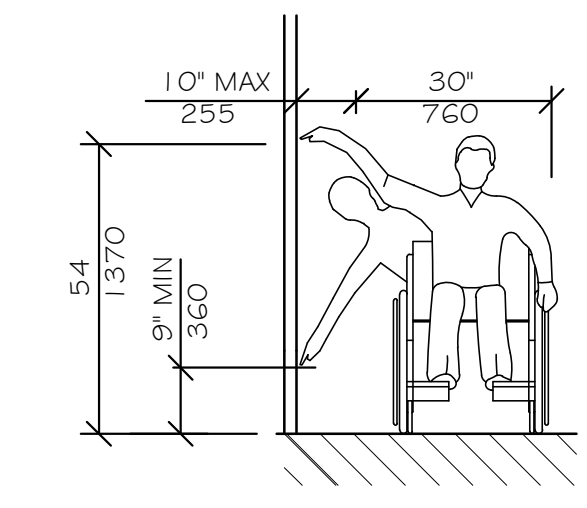
A-7
COPYRIGHT REPRODUCTION OR REVUE OF THIS DOCUMENT WITHOUT WRITTEN PERMISSION FROM GRANT HAYS ASSOCIATES IS PROHIBITED.



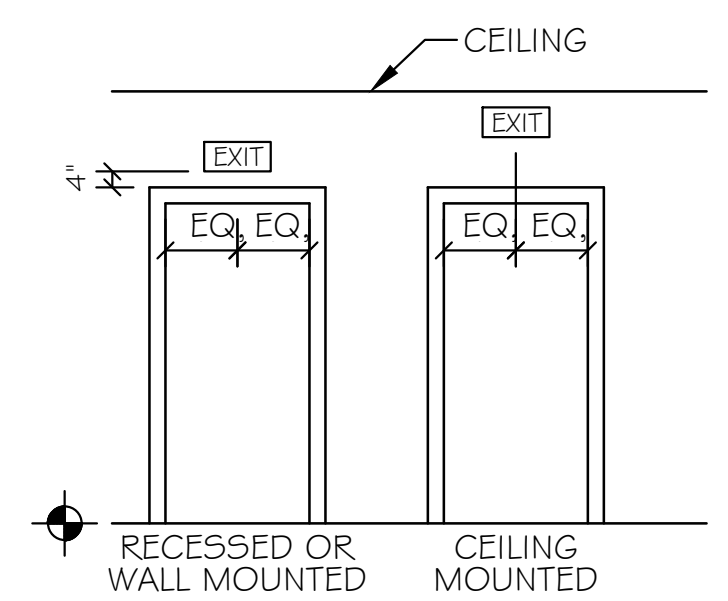
HIGH FORWARD REACH LIMIT
NTS



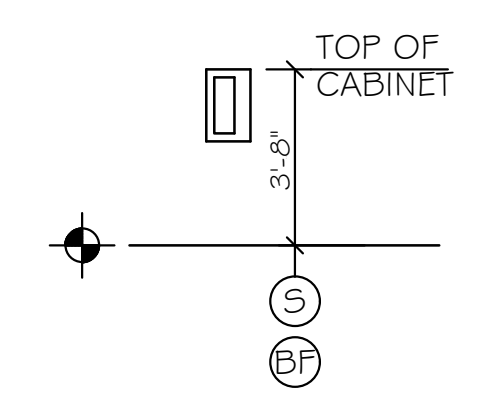
CLEAR FLOOR SPACE
PARALLEL APPROACH
NTS



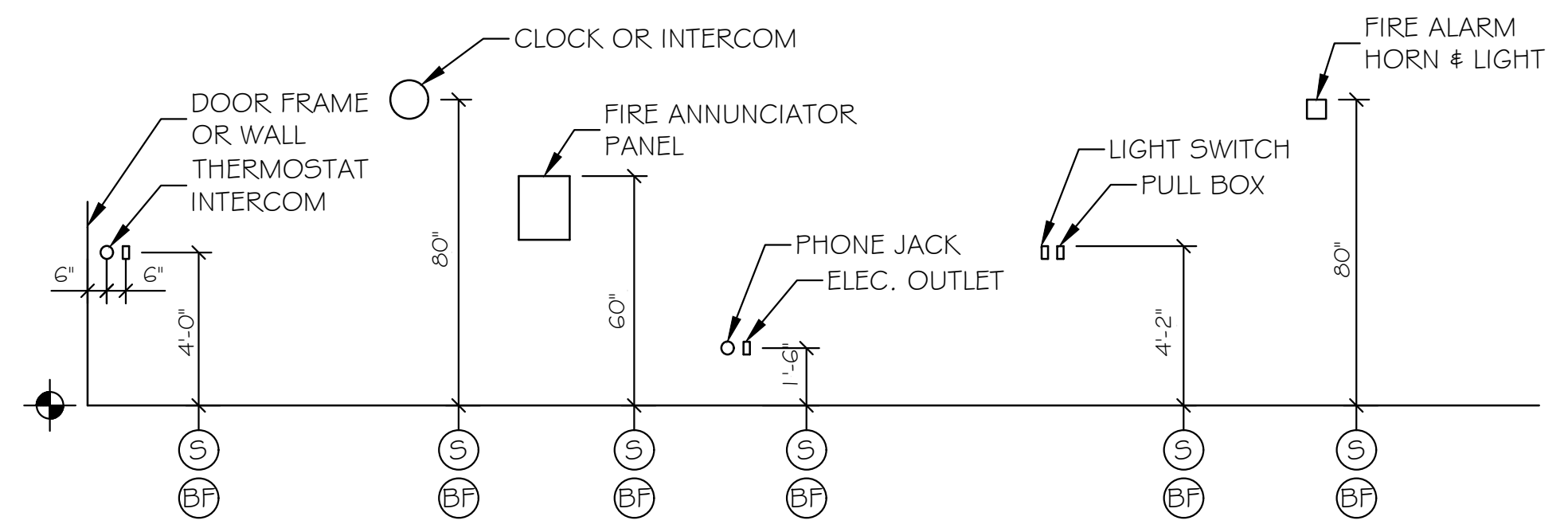
HIGH AND LOW
SIDE REACH LIMITS
NTS



EXIT SIGNS
(TYPICAL UNLESS OTHERWISE NOTED)
NTS



FIRE EXTINGUISHER
CABINET (FEC)
NTS



ELECTRICAL & FIRE PROTECTION DEVICES
TYPICAL UNLESS NOTED OTHERWISE
NTS



SIGN (A) - EXTERIOR
SIGN (B) - INTERIOR

NOTE: PROVIDE ONE (A) AND ONE (B) SIGN AT DOORS (102) & (103).

LEGEND

- (S) STANDARD MOUNTING HEIGHT
- (BF) BARRIER FREE ADULT MOUNTING HEIGHT
- (FF) FINISH FLOOR LINE

NOTE

MOUNT ALL FIXTURES AT STANDARD MOUNTING HEIGHT UNLESS INDICATED ON PLAN BY A (S) SYMBOL. A (BF) SYMBOL AT ANY ROOM SHALL INCLUDE ONE OF ANY FIXTURE AND ACCESSORY WITHIN THE ROOM.

ACCESSIBILITY GENERAL NOTES

1. DOORWAYS SHALL HAVE A MINIMUM CLEAR WIDTH OF 32" WITH THE DOOR OPEN 90 DEGREES, MEASURED BETWEEN THE FACE OF THE DOOR AND THE OPPOSITE STOP.
2. ALL DOORS SHALL HAVE LEVER HANDLE HARDWARE, EXCEPT AT SECURED STORAGE ROOMS, MECHANICAL ROOMS, AND ELEVATOR MACHINE ROOMS.
3. ALL CLOSERS SHALL BE 5LB PULL MAXIMUM AT DOORS EQUIPPED WITH LEVER HANDLE HARDWARE.
4. ALL DOORS WITH CLOSERS SHALL HAVE 18" CLEAR DISTANCE FROM THE LATCHSIDE OF THE OPENING TO ANY ADJACENT WALL OR OBSTRUCTION ON THE PULL SIDE OF THE OPENING.
5. ALL DOORS WITH CLOSERS SHALL HAVE 12" CLEAR DISTANCE FROM THE LATCHSIDE OF THE OPENING TO ANY ADJACENT WALL OR OBSTRUCTION ON THE PUSH SIDE OF THE OPENING.
6. ALL SIGNAGE SHALL BE MOUNTED 60" AFF TO BRAILLE COMPONENT AT LATCH-SIDE WALL OF DOORS AND OPENINGS.
7. COMPLY WITH 2010 EDITION OF THE AMERICANS WITH DISABILITIES ACT.