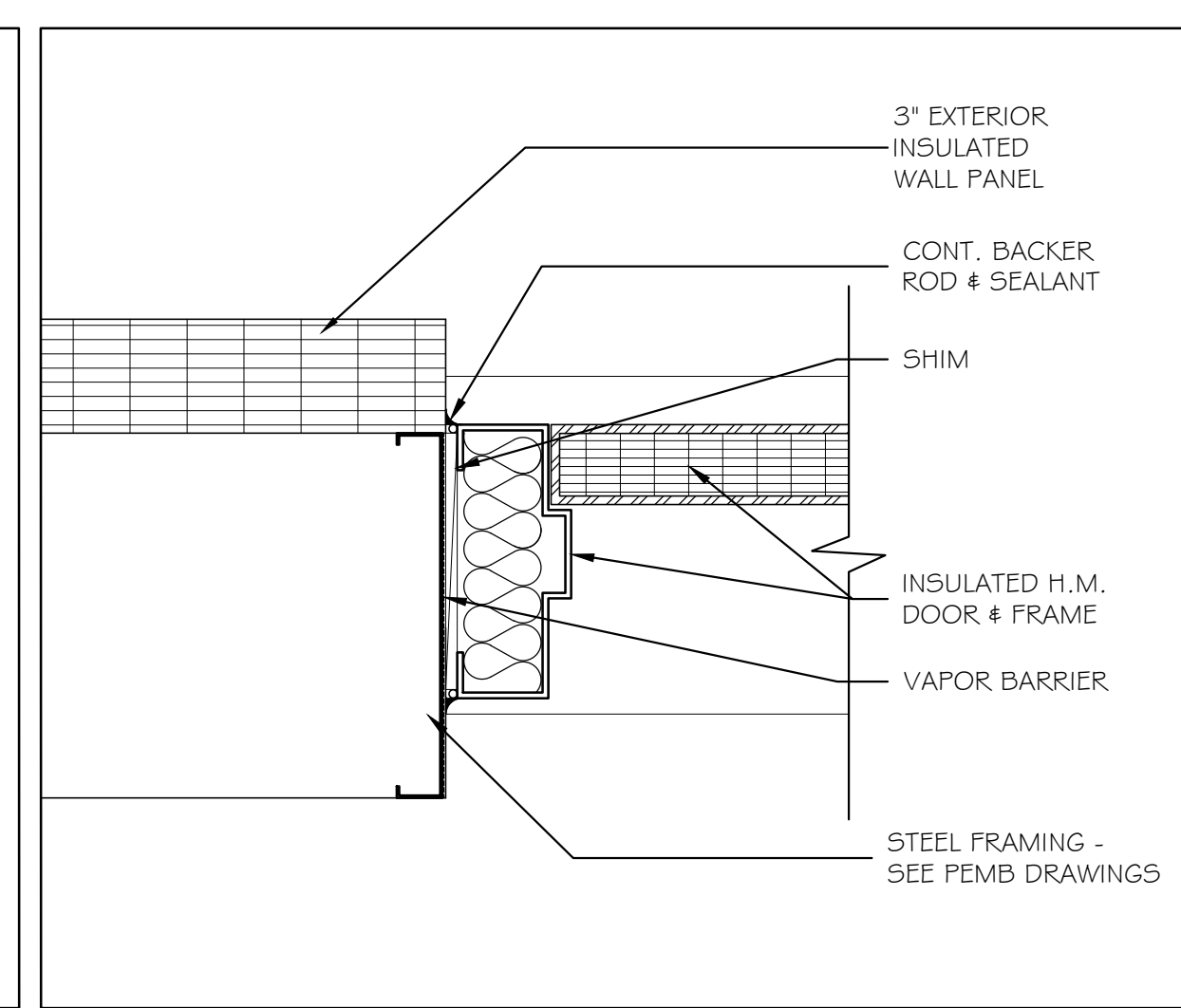
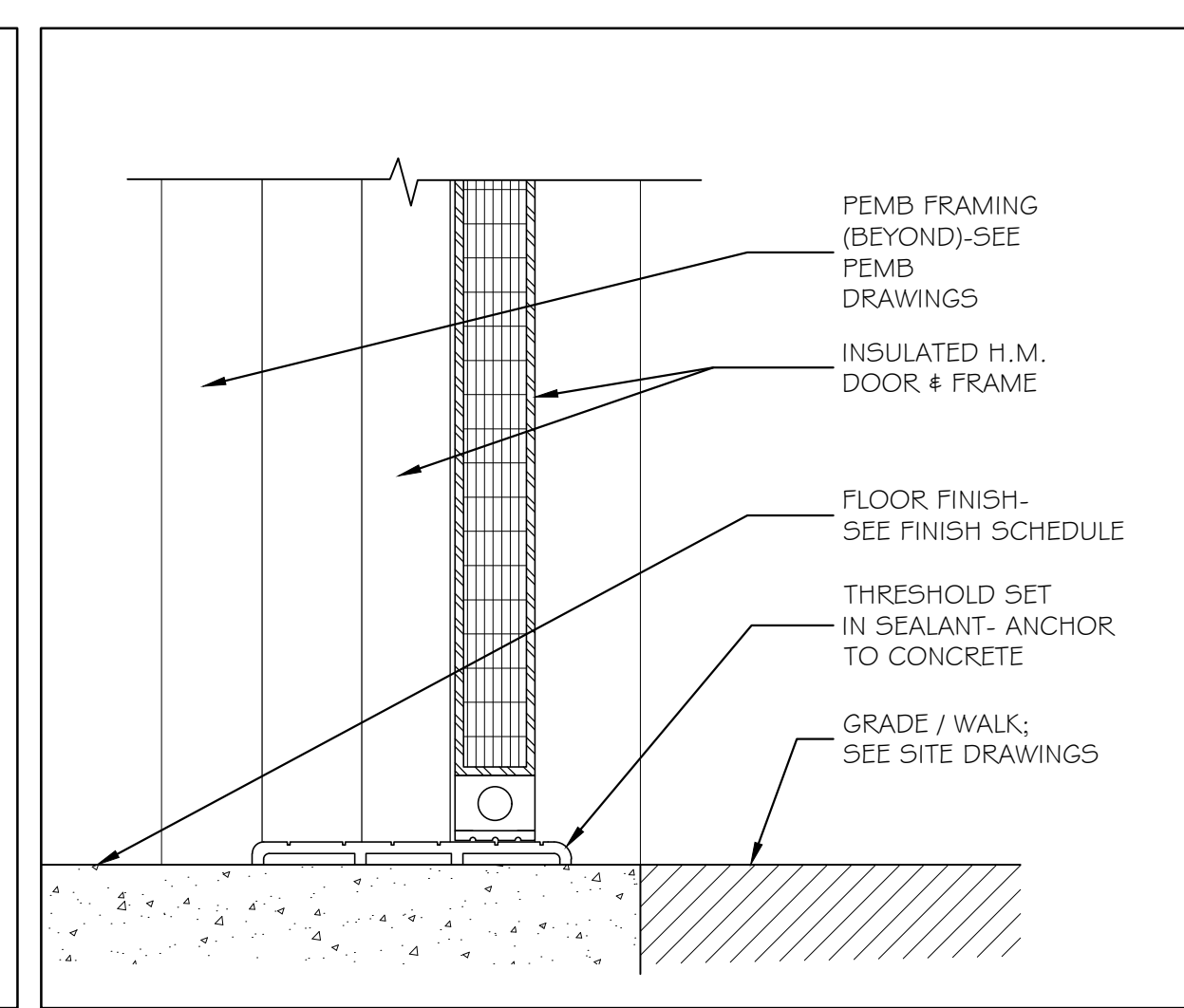


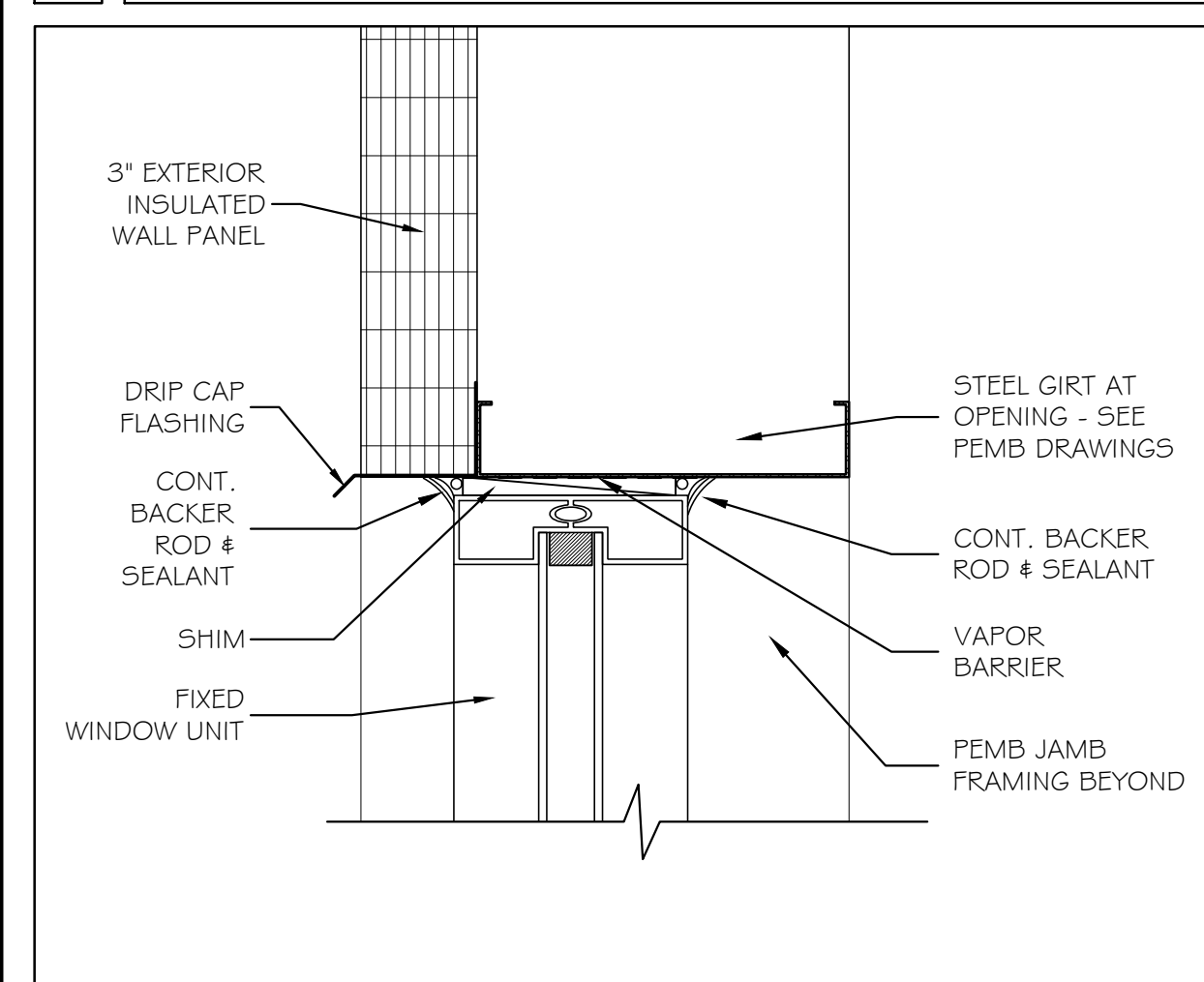
1 EXT. H.M. DOOR HEAD DETAIL @ EXT. METAL PANEL 3" = 1'-0"



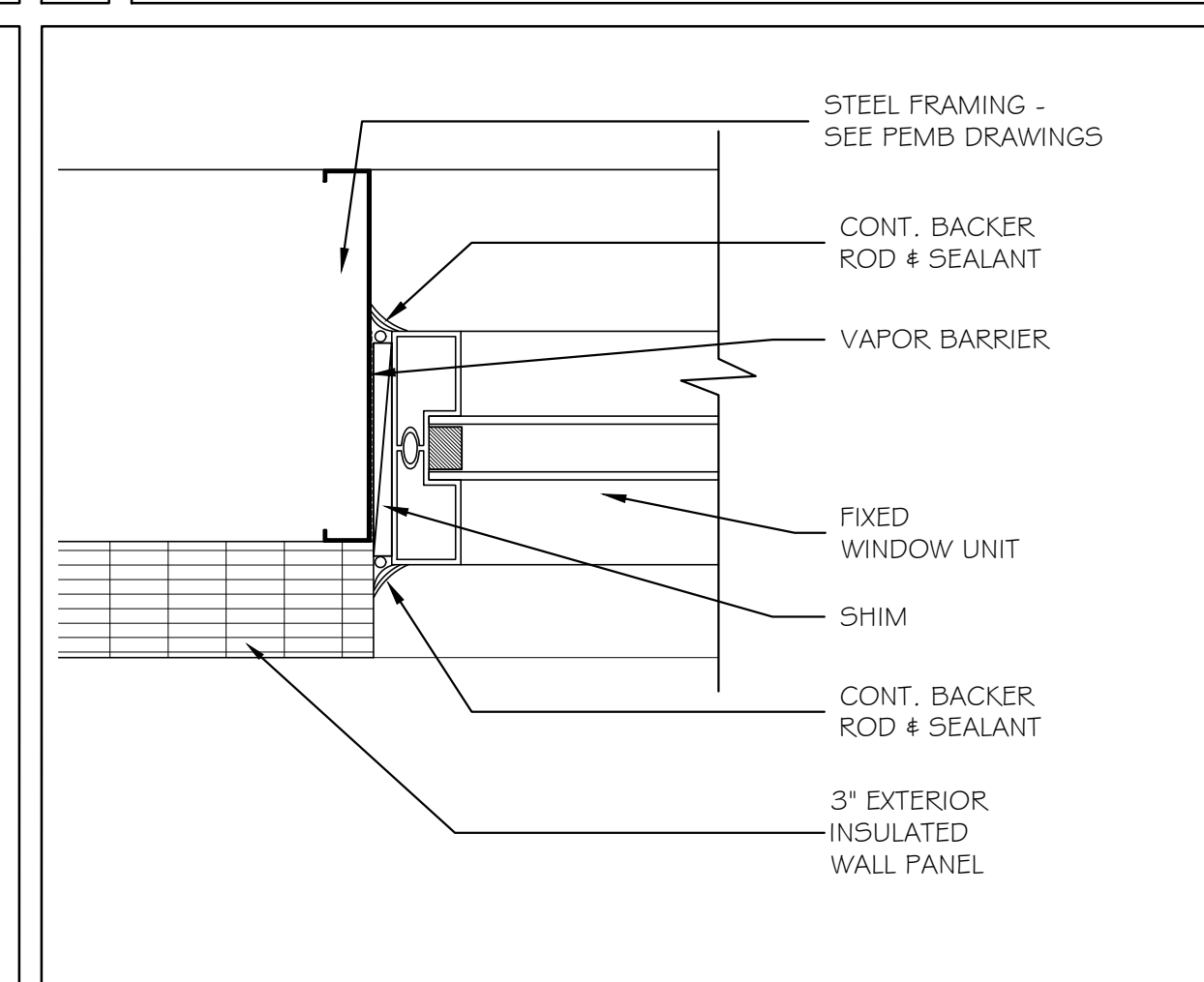
2 EXT. H.M. DOOR JAMB DETAIL @ EXT. METAL PANEL 3" = 1'-0"



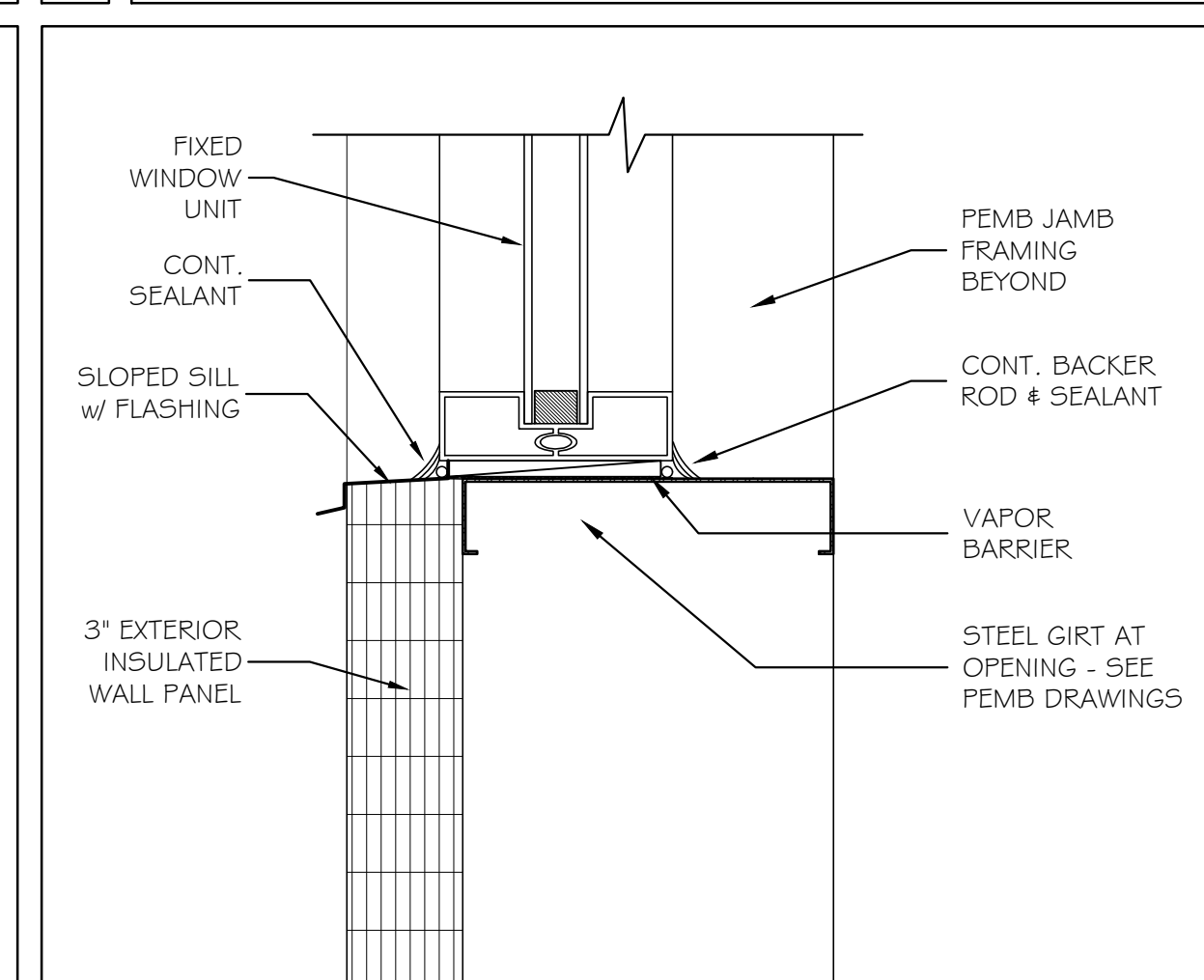
3 EXT. H.M. DOOR SILL DETAIL @ EXT. METAL PANEL 3" = 1'-0"



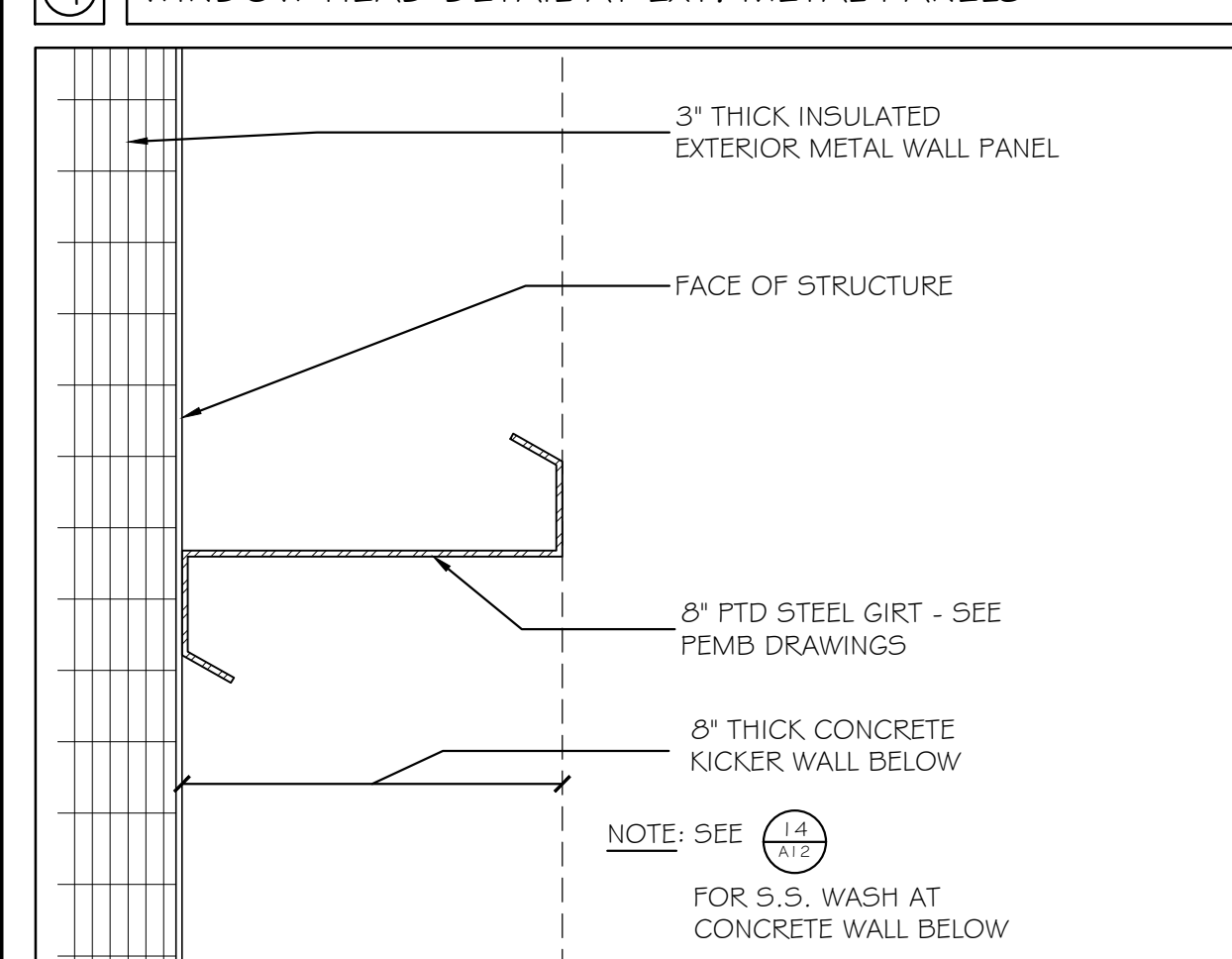
4 WINDOW HEAD DETAIL AT EXT. METAL PANELS 3" = 1'-0"



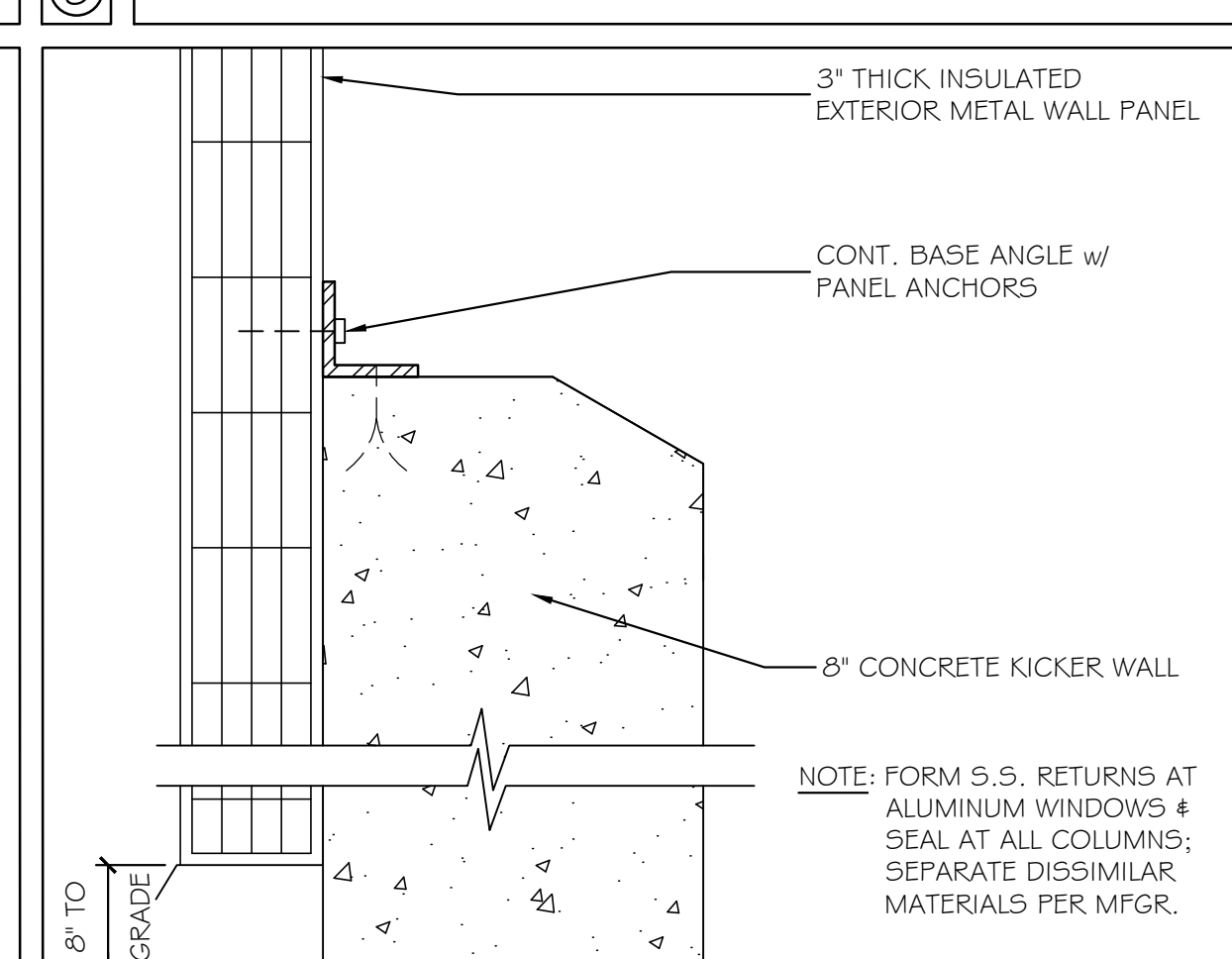
5 WINDOW JAMB DETAIL AT EXT. METAL PANELS 3" = 1'-0"



6 WINDOW SILL DETAIL AT EXT. METAL PANELS 3" = 1'-0"



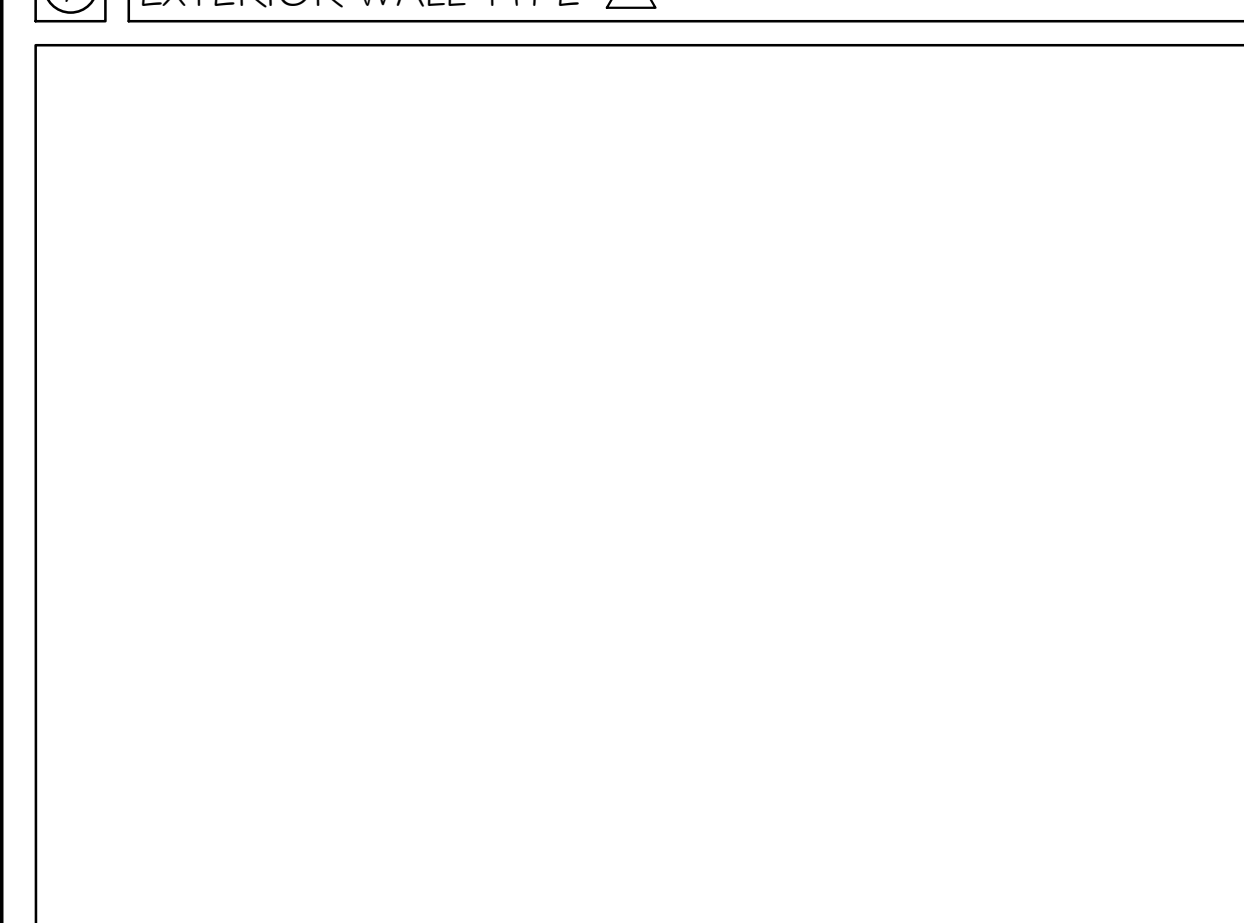
7 EXTERIOR WALL TYPE Δ 3" = 1'-0"



8 S.S. WASH DETAIL AT KICKER WALL 3" = 1'-0"

WALLS	WHITE PAINT AT CONCRETE KICKER WALL GREY PRIMER AT PEMB STRUCTURE WHITE INTERIOR LINER PANEL AT PEMB IMP.
FLOOR	NON-SLIP SEMI-GLOSS CONCRETE FLOOR SEALER
CEILING	GREY PRIMER METAL ROOF DECK GREY PRIMER PEMB ROOF STRUCTURE

FINISHES



9



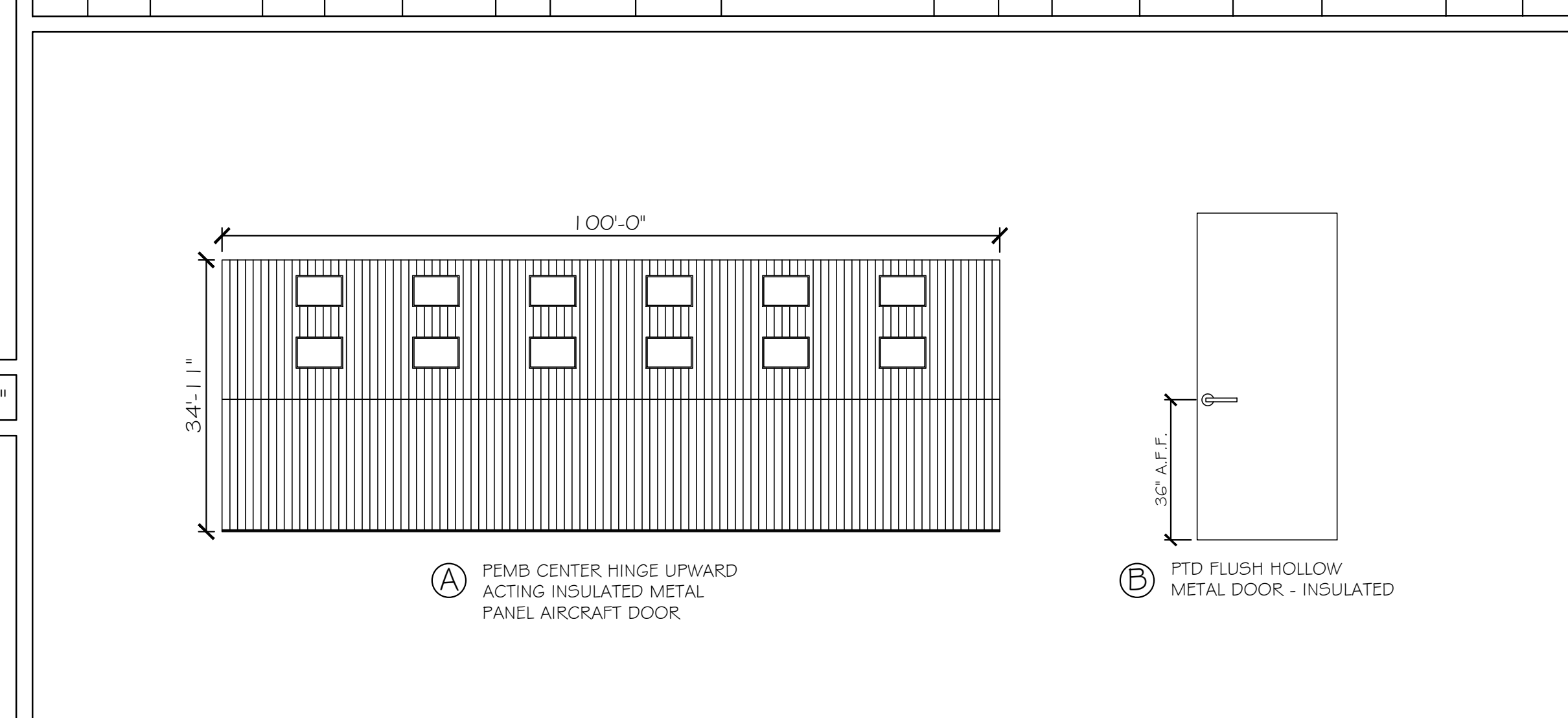
10



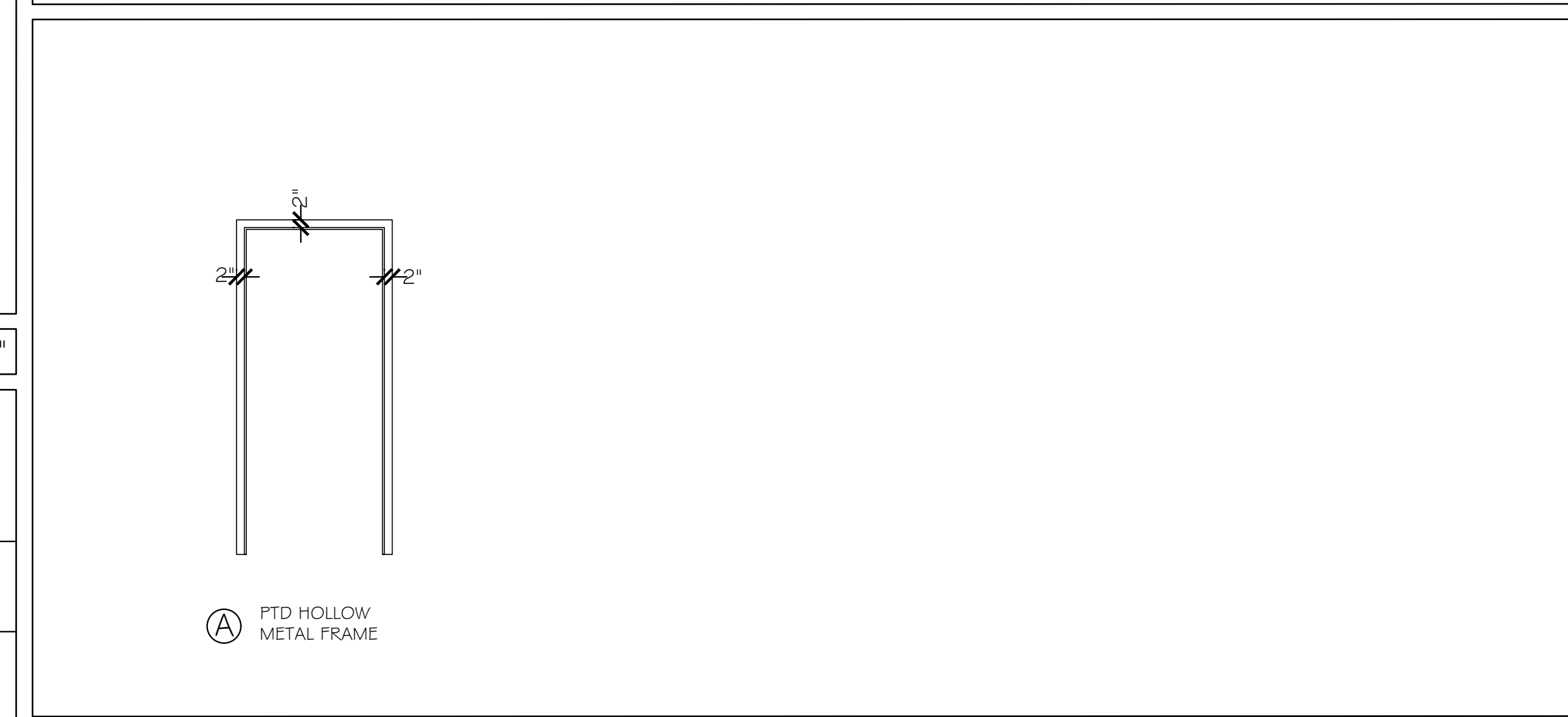
11

### DOOR SCHEDULE

DOORS										FRAMES				THRESHOLDS			
NO.	TYPE	SIZE (w x h)	THK	INSUL	HDWE	FR	GLASS TYPE	GLASS SIZE	REMARKS	TYPE	FR	PROFILE	DETAILS HEAD	DETAILS JAMB	MATERIAL	DETAILS SILL	DETAILS FIN
1.01	A	35' x 100'	MFR	R-10			MFR	MFR	*INSULATED	MFR		MFR	1-AG	2-AG	CONC.		MFR
1.02	B	3070	1 3/4"	R-10	HW-1					A		MAS	1-AG	2-AG	ALUM	3-AG	
1.03	B	3070	1 3/4"	R-10	HW-1					A		MAS	1-AG	2-AG	ALUM	3-AG	



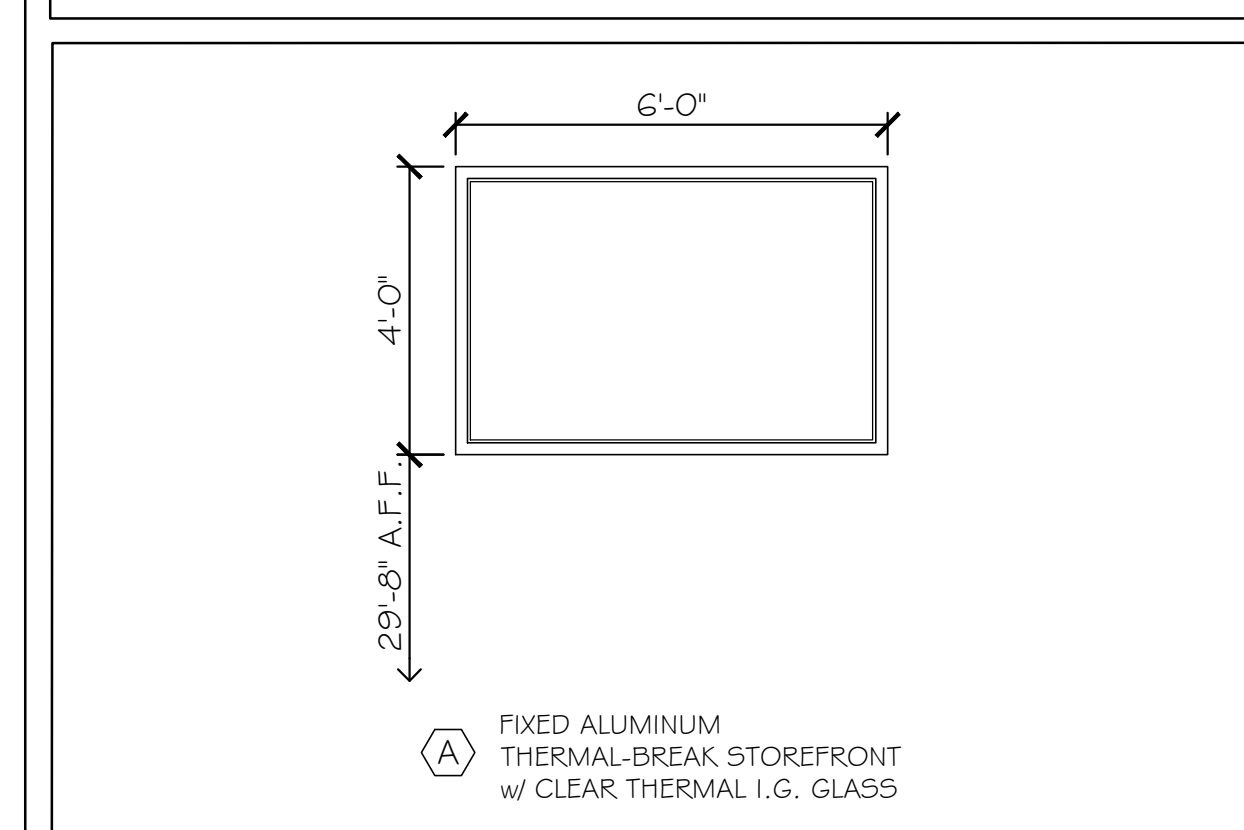
DOOR TYPES N.T.S.



FRAME TYPES N.T.S.

### WINDOW SCHEDULE

NO.	TYPE	MANUFACTURER		NOMINAL SIZE		DETAILS					REMARKS	
		MFR	MODEL	WIDTH	HEIGHT	HEAD	JAMB	SILL	MUNT	MULL		
A	FIXED	KAWNEER	451 T *	6'-0"	4'-0"	4-AG	5-AG	6-AG				*BASIS OF DESIGN



WINDOW TYPES 3/8" = 1'-0"

- #### HW-1 EXTERIOR SINGLE DOOR
- 3 BUTTS
  - 1 LEVER LOCKSET - STORE ROOM FUNCTION
  - 1 ELECTRONIC STRIKE
  - 1 CARD READER (VERIFY MFR w/ OWNER)
  - 1 CLOSER
  - 1 THRESHOLD
  - 1 DOOR BOTTOM WEATHER STRIPPING
  - 1 SET HEAD / JAMB WEATHERSTRIPPING

HARDWARE SETS

**GRANT HAYS ASSOCIATES**

ARCHITECTURE & INTERIOR DESIGN  
P.O. BOX 6179 FALMOUTH MAINE 04103  
307.871.5900 [www.granthays.com](http://www.granthays.com)

/SCALE  
/MEET

MICHAEL F. HAYS  
No. 1724  
STATE OF MAINE  
Michael F. Hays

PROJECT NAME

**NORTHEAST AIR NORTH HANGAR**

1071 WESTBROOK TREET - PORTLAND, MAINE 04102

/SCALE  
/MEET

**DOORS, WINDOWS & FINISHES**

DATE: 8/SEP 2017  
/SCALE: AS NOTED  
DRAWN: MFH/mgk  
JOB NO.: 160350  
/MEET

**A-6**

COPYRIGHT REPRODUCTION OR REVUE OF THIS DOCUMENT WITHOUT WRITTEN PERMISSION FROM GRANT HAYS ASSOCIATES IS PROHIBITED.