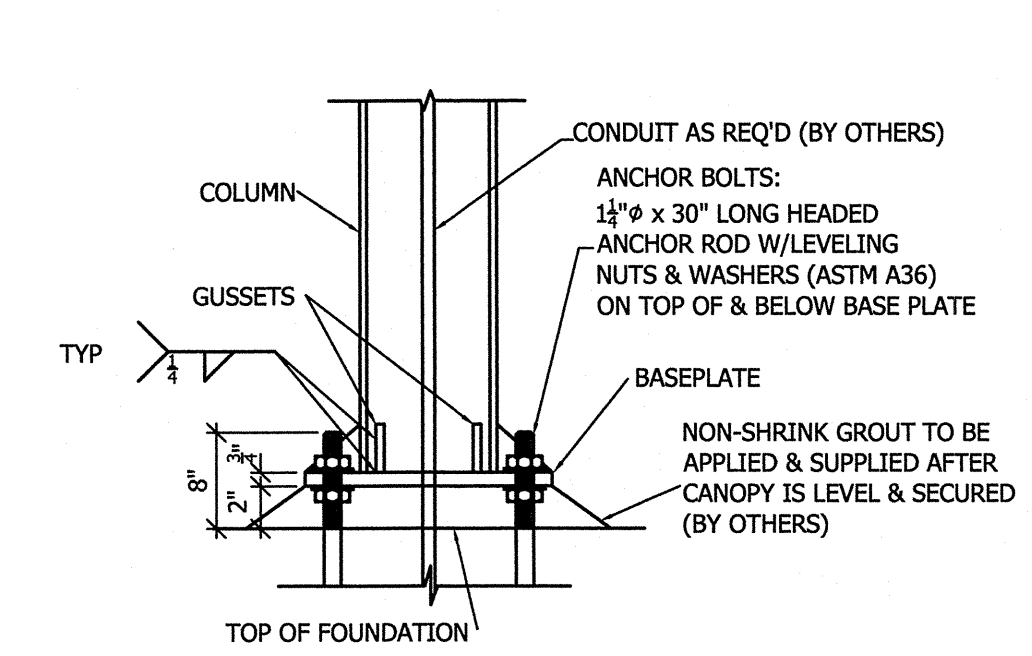
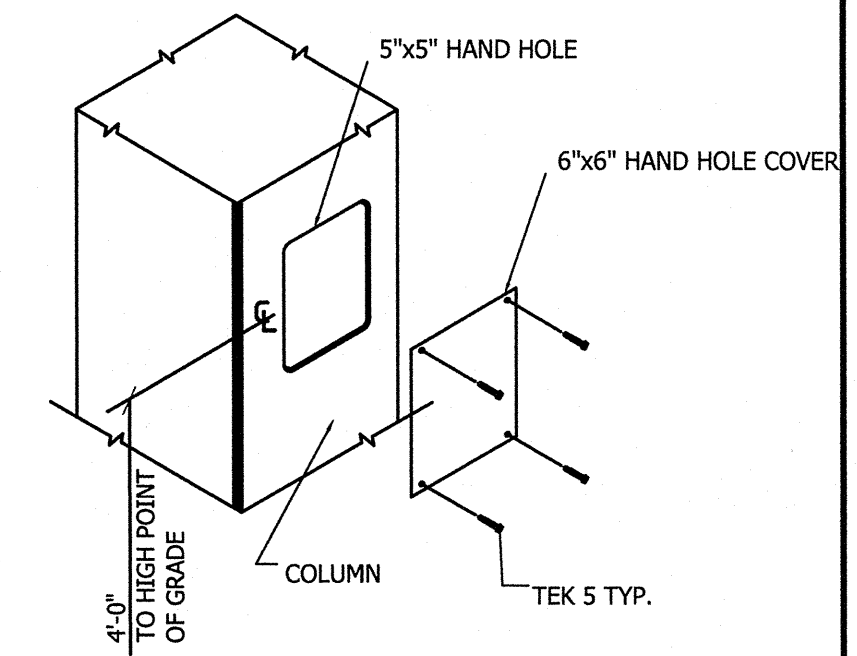


FOUNDATION PLAN

Scale: 1/4"=1'-0"

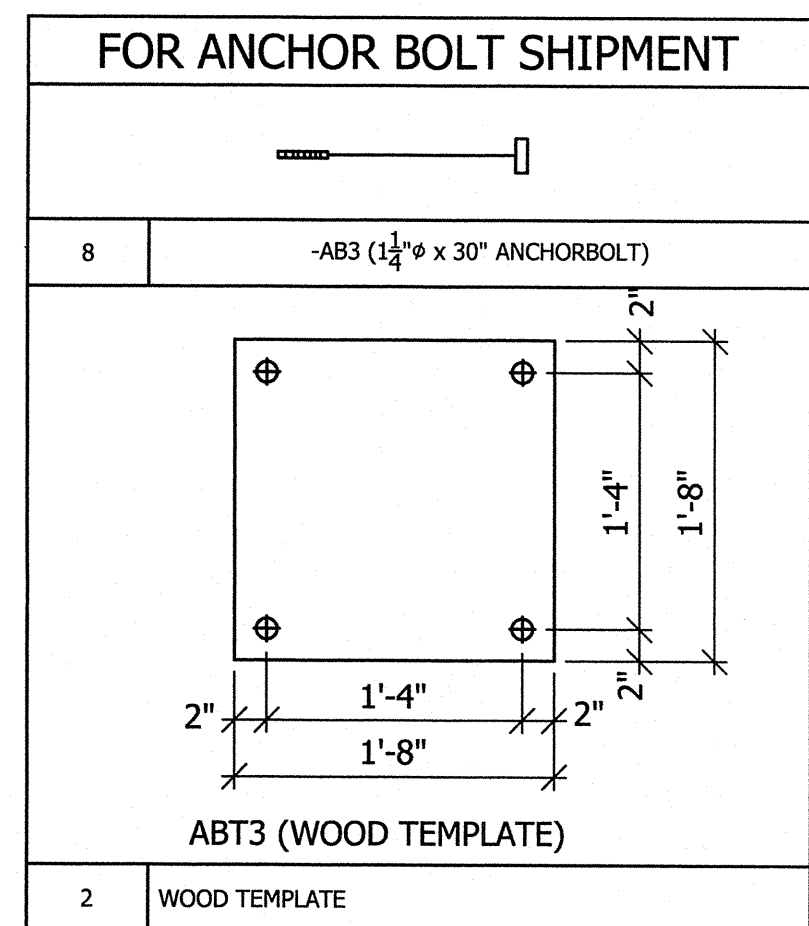
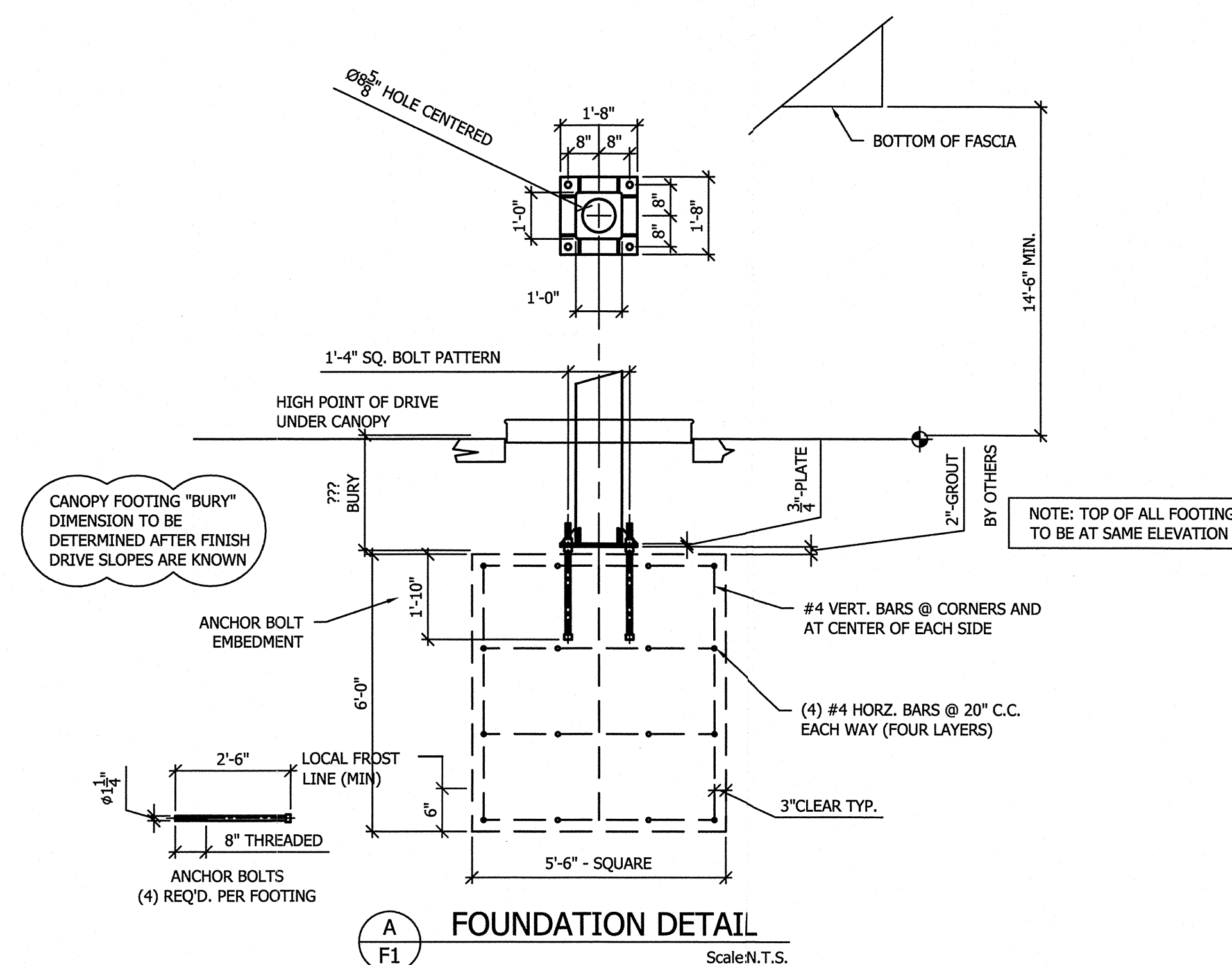


D1
F1 BASE PLATE DETAIL
TYP. ALL COLUMNS



D2
F1 HAND HOLE & COVER DETAIL
TYP. ALL COLUMNS

- FOOTING NOTES**
- OWNER / GENERAL CONTRACTOR SHALL BE RESPONSIBLE FOR FOOTING AND ANCHOR BOLT INSTALLATION.
 - ALL FOOTINGS SHALL BE CAST ON LEVEL UNDISTURBED SOIL, ROCK OR PROPERLY COMPACTED SUBGRADE. FOOTING SIZE BASED ON MINIMUM 1500 PSF SOIL BEARING AT BASE AND 150 PSF PER FOOT OF DEPTH LATERAL BEARING CAPACITY. CONTRACTOR SHALL BE RESPONSIBLE FOR VERIFYING ALL SOIL PARAMETERS.
 - FOOTING CONCRETE SHALL HAVE A MINIMUM 28 DAY COMPRESSIVE STRENGTH OF 3000 PSI.
 - FOOTING DESIGN BASED ON AN ASSUMED 1'-0" BURY OF THE COLUMNS FROM THE BOTTOM OF BASEPLATE TO FINISHED GRADE. ANY AMOUNT OF BURY LESS THAN 1'-0" WILL RESULT IN A LARGER FOOTING SIZE.
 - TOPS OF ALL FOOTINGS ARE ASSUMED TO BE AT SAME ELEVATION. OWNER / GENERAL CONTRACTOR SHALL PROVIDE BURIAL DEPTH FROM HIGH GRADE UNDER CANOPY. WHERE TOPS OF FOOTINGS ARE AT DIFFERENT ELEVATIONS, THE OWNER / GENERAL CONTRACTOR SHALL PROVIDE THE CANOPY MANUFACTURER WITH ALL FOOTING AND GRADE ELEVATION PRIOR TO CANOPY FABRICATION. VARIATIONS FROM DESIGN ELEVATIONS MAY RESULT IN INADEQUATE CLEARANCE AND UNDER SIZED FOOTINGS.
 - OWNER / GENERAL CONTRACTOR SHALL BE RESPONSIBLE FOR PLACING NON-SHRINK GROUT UNDER ALL COLUMN BASES AFTER CANOPY IS LEVELED AND SECURED.
 - FOOTING REINFORCING STEEL SHALL BE ASTM A615 GRADE 60 DEFORMED BILLET STEEL BARS WITH SPACING AS SHOWN ON DRAWING.
 - FOOTINGS ARE ASSUMED TO BE CONSTRAINED BY FUEL ISLAND AND DRIVE MAT CONCRETE. WHERE THIS CONDITION DOES NOT EXIST, THE OWNER SHALL NOTIFY CANOPY MANUFACTURER.
 - ANCHOR BOLTS SHALL BE PLACED IN ACCORDANCE WITH THIS DRAWING. TEMPLATES SHALL BE USED TO ENSURE PROPER PLACEMENT OF ANCHOR BOLTS. ANCHOR BOLTS ARE TO BE INSTALLED SUCH THAT A MINIMUM OF 8" OF THREAD IS EXPOSED ABOVE TOP OF FOOTING. BOTTOM OF THREADS SHALL NOT END MORE THAN 3/4" ABOVE TOP OF FOOTER.
 - ANY DISCREPANCIES BETWEEN THE ABOVE NOTES AND LOCAL BUILDING CODE REQUIREMENTS SHALL BE REPORTED TO THE CANOPY MANUFACTURER IMMEDIATELY. COMMENCEMENT OF FOOTING INSTALLATION SHALL INDICATE THAT THE ABOVE NOTE MEET LOCAL BUILDING CODE REQUIREMENTS.



ISSUE	DESCRIPTION	BY	CHK.	DATE
0	APPROVAL / PERMIT	FCS	DES	9/13/2013

REVISIONS

VFS a member of the **Image Resource Group**

1631 E. FRONT STREET
LOGAN, OHIO 43138
PHONE: (315) 895-0262

DAVID E. SCHATTE
10609 99TH STREET
OVERLAND PARK, KS. 66214
LICENSE# 9549

THESE PLANS ARE SUBJECT TO
FEDERAL COPYRIGHT LAWS
ANY USE OF SAME WITHOUT THE
EXPRESS WRITTEN PERMISSION
OF VFS IS PROHIBITED

SITE: HERTZ 1049 WESTBROOK ST. PORTLAND, ME		JOB NO. 40806
SIZE: 28'-0"X42'-0" 2-COLUMN CANOPY		DRAWING NO. F1 OF 1
TITLE: FOUNDATION PLAN AND DETAILS		

09/16/13
Job # 408